

**SPECIFICATIONS:**

**ELECTRICAL:**

INSULATOR RESISTANCE: 5 GOHMS Min.  
 DIELECTRIC WITHSTANDING: 1,000 VAC for 1 MINUTE.  
 OPERATING TEMPERATURE: -55° C ~ +125° C  
 POWER CONTACT RESISTANCE: 1.0MilliOHMS Max.  
 SIGNAL CONTACT RESISTANCE: 2.7MilliOHMS Max.  
 POWER PINS: SEE PART No. BELOW  
 SIGNAL PINS: 5 AMPS

**MECHANICAL:**

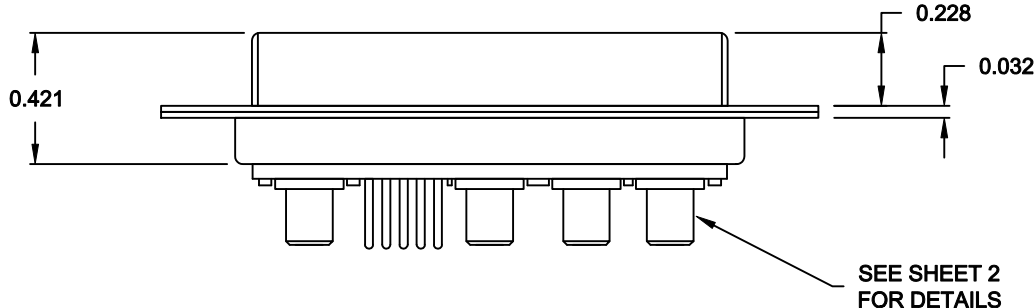
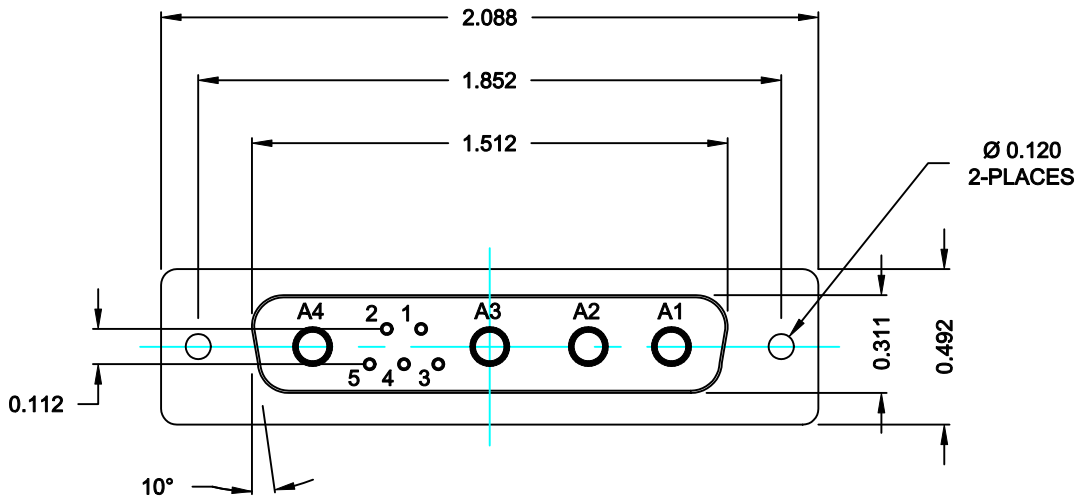
CONTACT INSERTION FORCE: 4.5 Kg Max.  
 CONTACT SEPARATOR FORCE: 0.3Kg Min.

**MATERIALS:**

CONTACTS: COPPER ALLOY  
 INSULATOR: PBT, 30% GLASS FILLED, UL94V-0 RATED, 230°C PROCESS TEMP.  
 SHELL: STEEL  
 SEAL: F04 FLEXIBLE ADHESIVE

**FINISH:**

SHELL: NICKEL  
 CONTACTS: FULL GOLD FLASH




**681S9W4203L001**

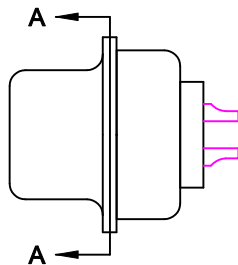
00 = 20 / 40 AMPS

**MEETS IP67 STANDARDS**

(SEE PAGE 2 FOR SEALING DETAILS)

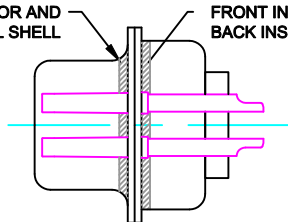
**RoHS COMPLIANT**

	THESE DRAWINGS AND SPECIFICATIONS ARE THE PROPERTY OF NorComp AND SHALL NOT BE REPRODUCED, COPIED OR USED AS THE BASIS FOR THE MANUFACTURE OF SALE OF APPARATUS WITHOUT WRITTEN PERMISSION.		DRAWN: <b>M. SIGMON</b>	DATE: <b>06-11-13</b>
			CHECKED:	DATE:
<b>NorComp</b>	SCALE: <b>N.T.S.</b>	SHEET <b>1</b> OF <b>3</b>	REV <b>0</b>	
	DWG NO. <b>681S9W4203L001</b>			



FRONT SEAL APPLIED BETWEEN FRONT INSULATOR AND FRONT METAL SHELL

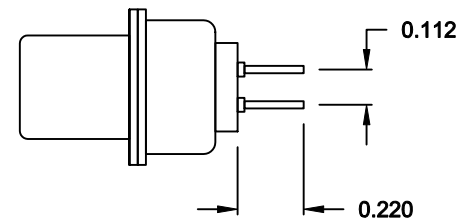
MIDDLE SEAL APPLIED BETWEEN FRONT INSULATOR AND BACK INSULATOR



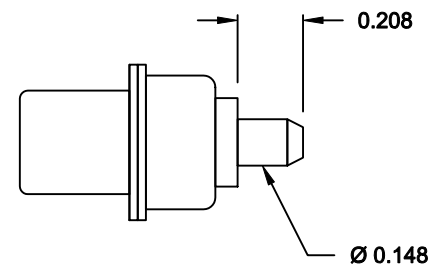
DETAIL A-A

SHOWN FOR REFERENCE ONLY

NOTE:  
SIGNAL AND POWER CONTACTS  
COME PRE-LOADED INTO INSULATORS



SIGNAL CONTACTS



POWER CONTACTS

RoHS COMPLIANT



THESE DRAWINGS AND SPECIFICATIONS ARE THE PROPERTY OF NorComp AND SHALL NOT BE REPRODUCED, COPIED OR USED AS THE BASIS FOR THE MANUFACTURE OF SALE OF APPARATUS WITHOUT WRITTEN PERMISSION.

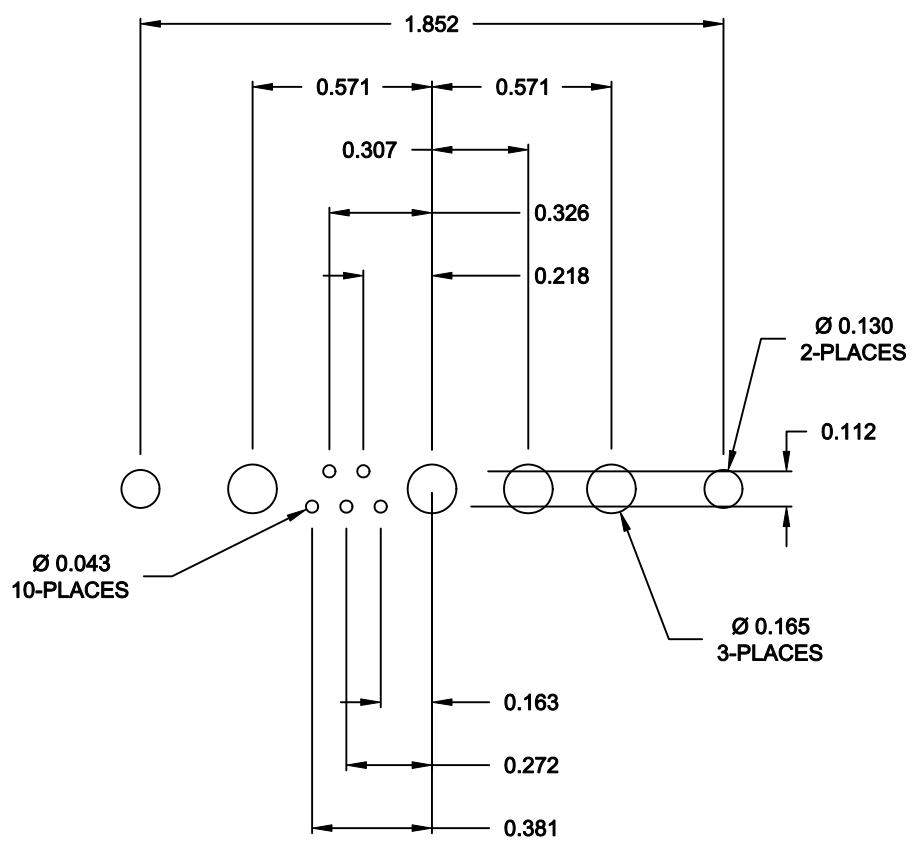
DRAWN: **M. SIGMON** DATE: **06-11-13**

CHECKED: DATE:

**NorComp**


SCALE: **N.T.S.** SHEET **2** OF **3** REV **0**

DWG NO. **681S9W4203L001**



RECOMMENDED PCB LAYOUT

RoHS COMPLIANT

	THESE DRAWINGS AND SPECIFICATIONS ARE THE PROPERTY OF NorComp AND SHALL NOT BE REPRODUCED, COPIED OR USED AS THE BASIS FOR THE MANUFACTURE OF SALE OF APPARATUS WITHOUT WRITTEN PERMISSION.		DRAWN: <b>M. SIGMON</b>	DATE: <b>06-11-13</b>
			CHECKED:	DATE:
<b>NorComp</b>	SCALE: <b>N.T.S.</b>	SHEET <b>2</b> OF <b>3</b>	REV <b>0</b>	
	DWG NO. <b>681S9W4203L001</b>			