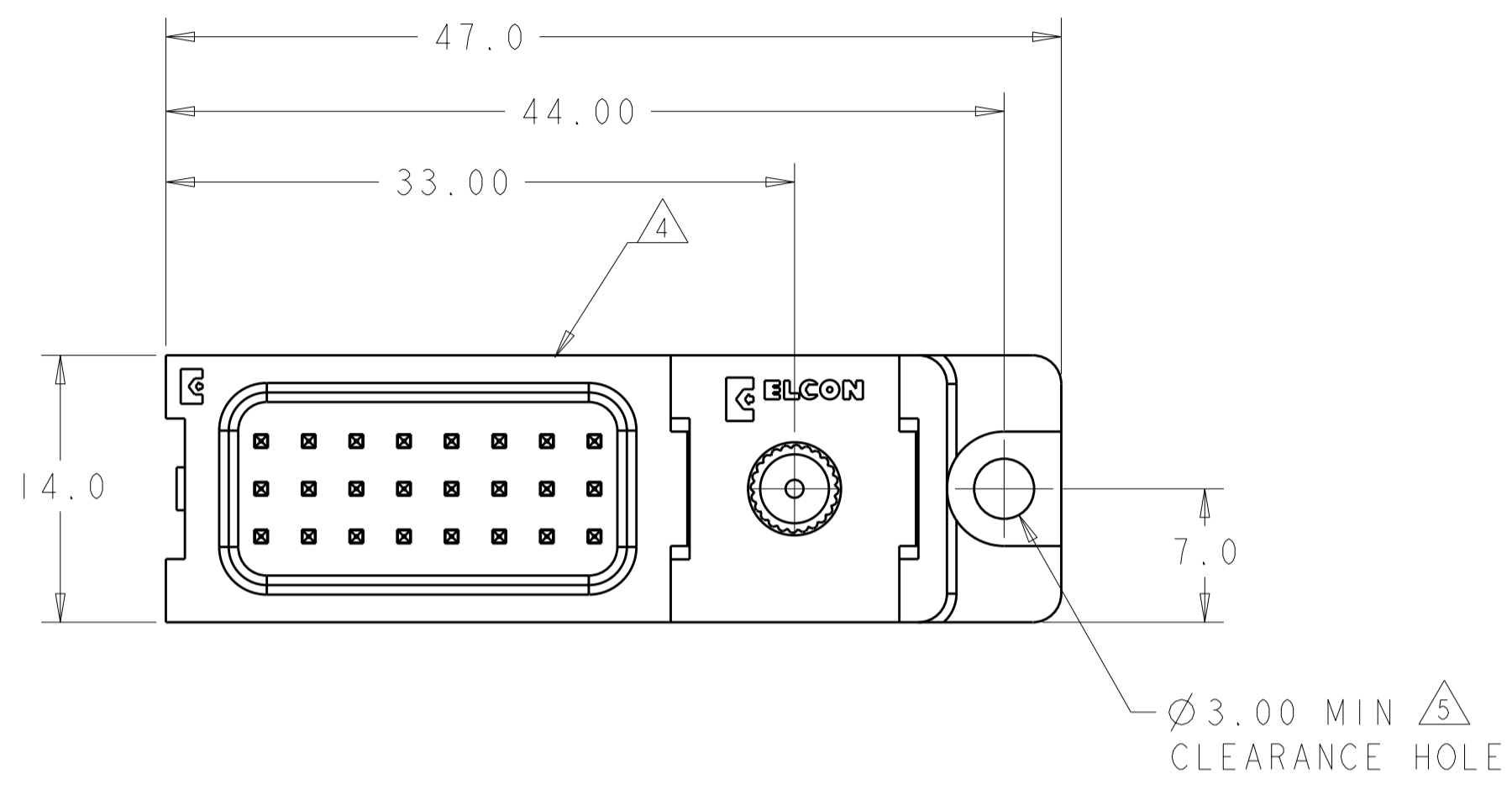


THIS DRAWING IS UNPUBLISHED. RELEASED FOR PUBLICATION 20
 © COPYRIGHT 20 BY TYCO ELECTRONICS CORPORATION. ALL RIGHTS RESERVED.

LOC	DIST	REVISIONS					
GP	00	P	LTR	DESCRIPTION	DATE	DWN	APVD
		A		RELEASED PER ECO-09-019917	01SEP2009	RG	MS
		A1		REV PER ECO-09-021027	14SEP2009	RG	MS



1. PART NUMBER CHANGES AND OR DESIGN CHANGES AFFECTING ITEM INTERCHANGEABILITY REQUIRE PRIOR TYCO ELECTRONICS APPROVAL AND AUTHORIZATION BY REVISION TO THIS DRAWING.

2 MATERIAL: INSULATORS - THERMOPLASTIC, GLASS REINFORCED, COLOR: BLACK
 UL94V-0 FLAMMABILITY RATED.
 SIGNAL CONTACTS-BERYLLIUM COPPER ALLOY
 GUIDE PIN-BRASS ALLOY

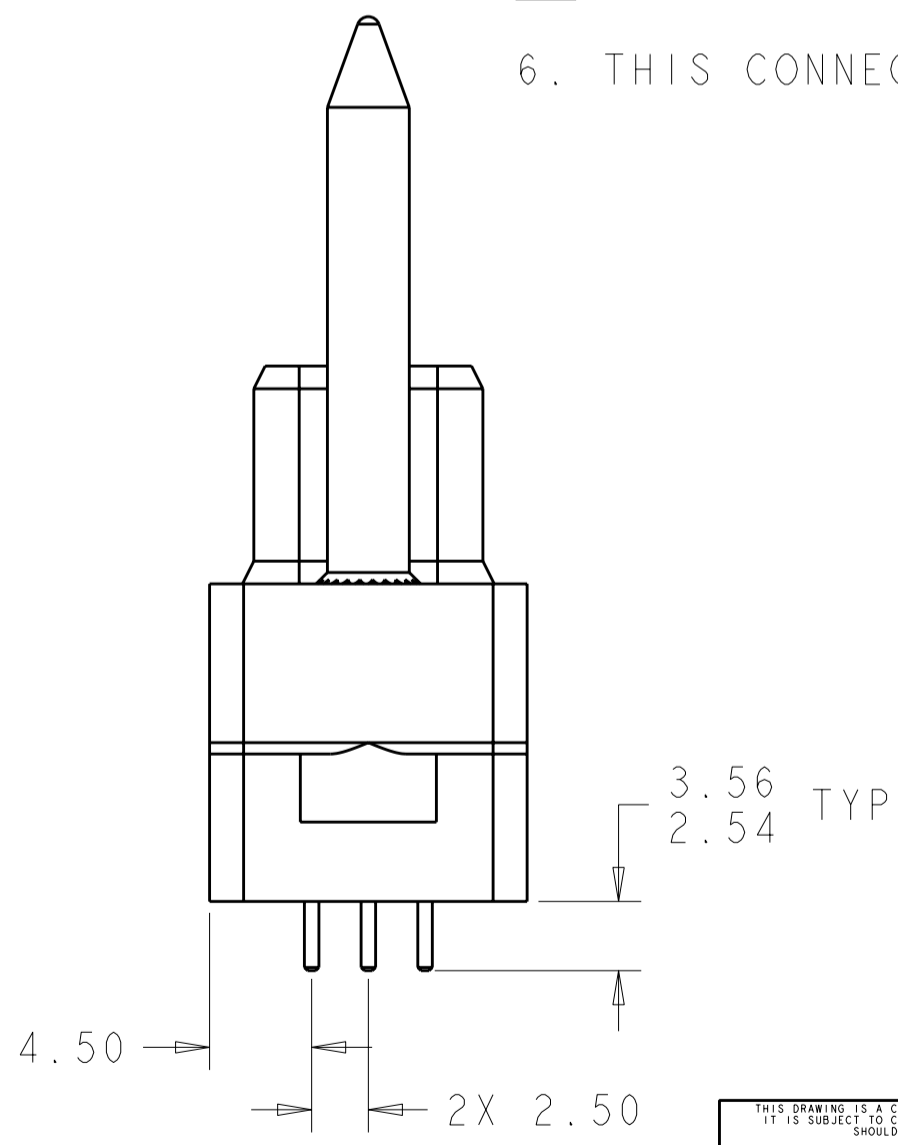
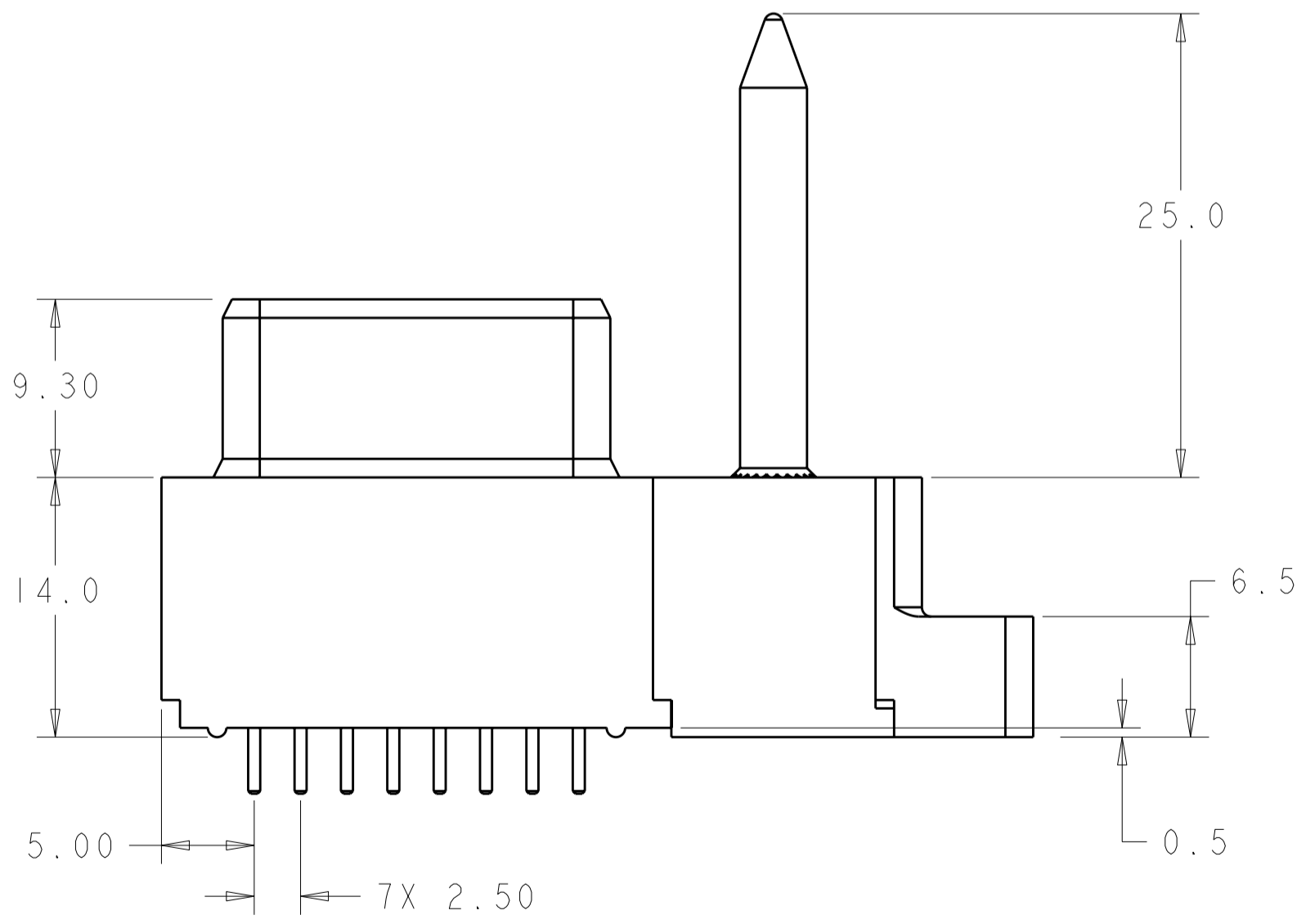
3 FINISH:
 CONTACTS - GOLD PLATE .76µm MIN. THK., OVER NICKEL
 1.27µm MIN. THK
 SOLDER TAILS- TIN 3.05 MIN. THK. OVER NICKEL 1.27µm MIN THK.
 GUIDE PIN - NICKEL PLATE 1.27µm MIN THK.

4 ITEMS PROVIDED TO THIS SPECIFICATION TO BE PERMANENTLY IDENTIFIED PER THE FOLLOWING IDENTIFIER LABEL

TYCO ELECTRONICS P/N DATE CODE (e.g. 0106)
 XXXXXXXX-X XXXX

5 MOUNTING FLANGES ACCEPT #6 SCREWS. (USER SUPPLIED)

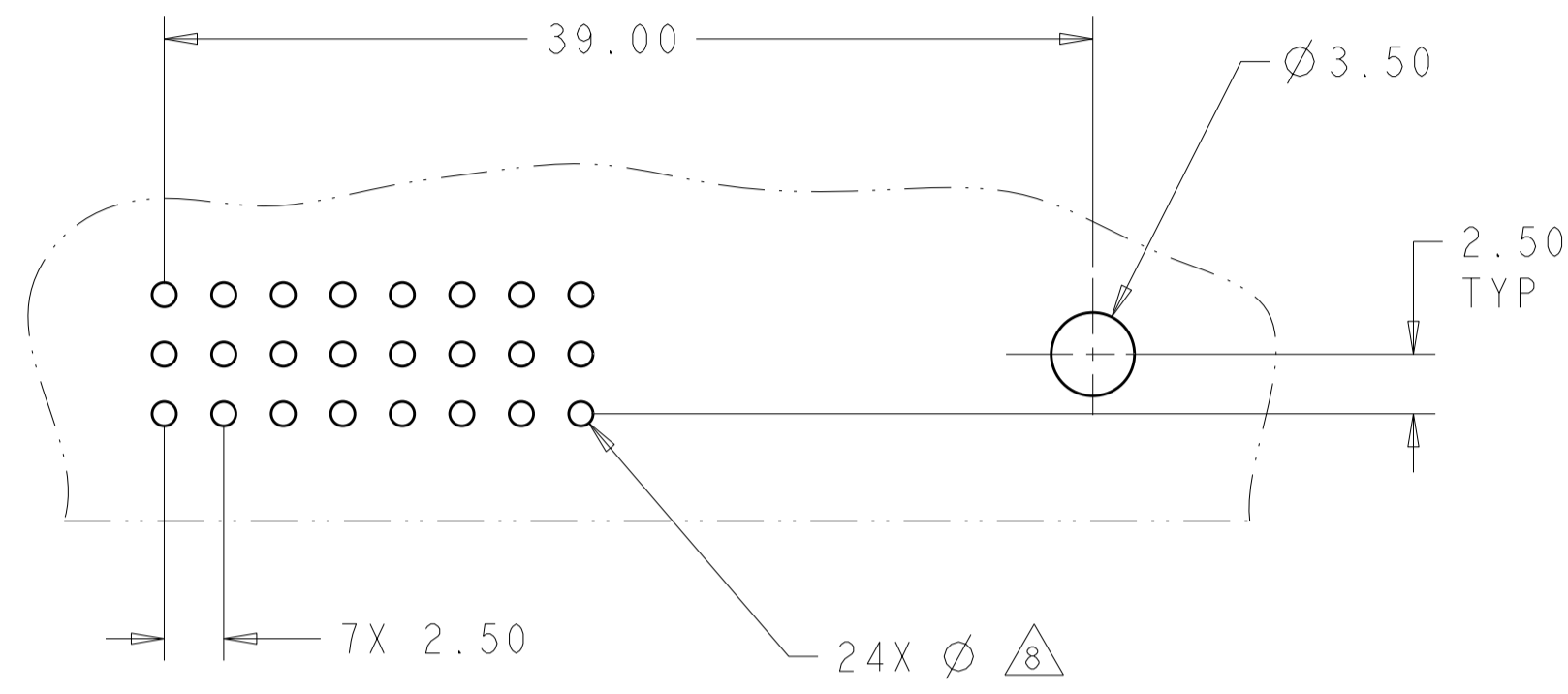
6. THIS CONNECTOR MATE WITH P/N 2085119-1



THIS DRAWING IS A CONTROLLED DOCUMENT FOR TYCO ELECTRONICS CORPORATION IT IS SUBJECT TO CHANGE AND THE CONTROLLING ENGINEERING ORGANIZATION SHOULD BE CONTACTED FOR THE LATEST REVISION.		DWN R. GRZYBOWSKI 28 JAN 2009	Tyco Electronics Harrisburg, PA 17105-3608	
DIMENSIONS: mm		CHK P. DAMATO 28 JAN 2009	NAME SOCKET CONNECTOR STRAIGHT, SOLDER TAILS FLATPAQ	
TOLERANCES UNLESS OTHERWISE SPECIFIED: 0 PLC ±.5 1 PLC ±.5 2 PLC ±.25 3 PLC ±. 4 PLC ±. ANGLES ±3 FINISH		APVD M. PERCHERKE 28 JAN 2009	SIZE A200779	DRAWING NO C-2085120
MATERIAL		PRODUCT SPEC -	CAGE CODE -	RESTRICTED TO -
2		APPLICATION SPEC -	SCALE 3:1	SHEET 1 OF 3
CUSTOMER DRAWING		WEIGHT -	REV A1	

THIS DRAWING IS UNPUBLISHED. RELEASED FOR PUBLICATION 20
 © COPYRIGHT 20 BY TYCO ELECTRONICS CORPORATION. ALL RIGHTS RESERVED.

LOC	DIST	REVISIONS			
P	LTR	DESCRIPTION	DATE	DWN	APVD
GP	00	-	SEE SHEET 1	-	-



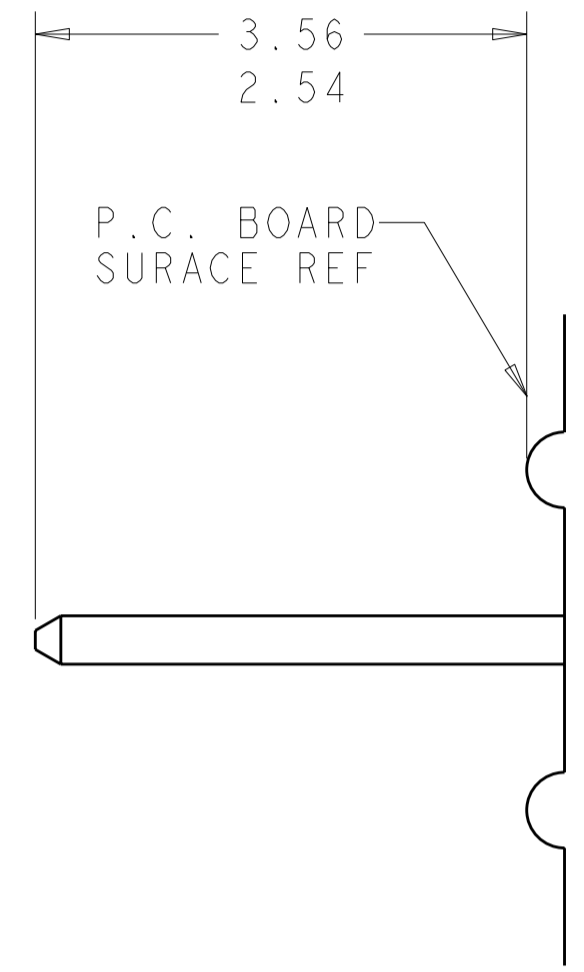
PRINTED CIRCUIT LAYOUT
COMPONENT SIDE

CONNECTOR	CATALOG MODULE #	QTY	SIZE NO.	CONTACT QTY	MATING PIN	MAX. CURRENT (PER CONTACT)	CONTACT SPACING	VOLTAGE RATING
SOCKET	FP318	1	22	24	.64 SQ.	3 amps	2.50	125 VOLTS
	FP503	1	STRAIGHT GUIDE PIN, PASSIVE					
	FP501	1	MOUNTING FLANGE, RIGHT					

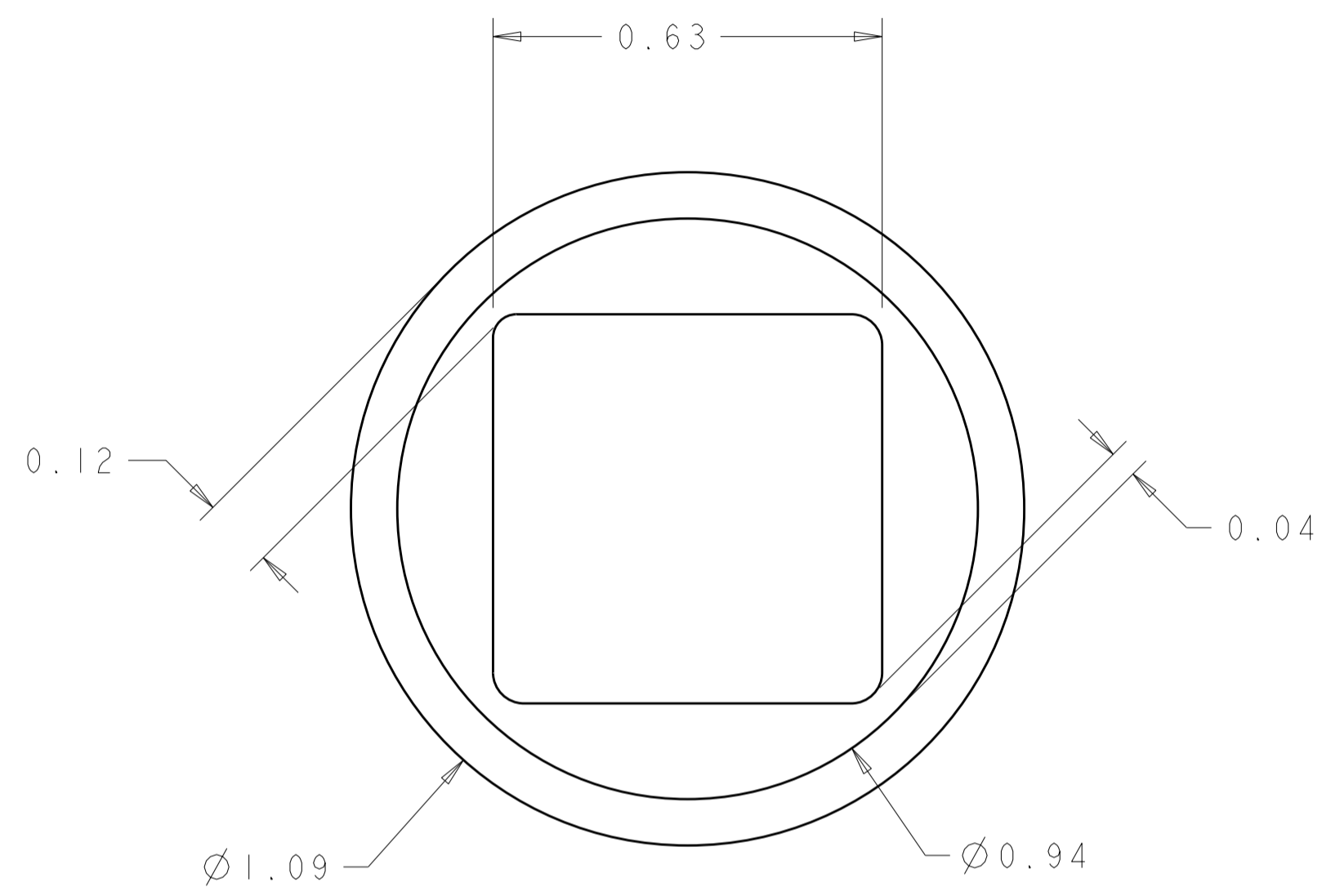
<small>THIS DRAWING IS A CONTROLLED DOCUMENT FOR TYCO ELECTRONICS CORPORATION. IT IS SUBJECT TO CHANGE AND THE CONTROLLING ENGINEERING ORGANIZATION SHOULD BE CONTACTED FOR THE LATEST REVISION.</small>		DWN 28 JAN 2009 R. GRZYBOWSKI CHK 28 JAN 2009 P. DAMATO APVD 28 JAN 2009 M. PERCHERKE	Tyco Electronics Harrisburg, PA 17105-3608
DIMENSIONS: mm 	TOLERANCES UNLESS OTHERWISE SPECIFIED: 0 PLC ±.5 1 PLC ±.5 2 PLC ±.25 3 PLC ±. 4 PLC ±. ANGLES ±3 FINISH	PRODUCT SPEC APPLICATION SPEC WEIGHT CUSTOMER DRAWING	NAME SOCKET CONNECTOR STRAIGHT, SOLDER TAILS FLATPAQ SIZE CAGE CODE DRAWING NO A200779 C-2085120 RESTRICTED TO -
SCALE 3:1		SHEET 2 OF 3 REV A1	

THIS DRAWING IS UNPUBLISHED. RELEASED FOR PUBLICATION 20
 © COPYRIGHT 20 BY TYCO ELECTRONICS CORPORATION. ALL RIGHTS RESERVED.

LOC	DIST	REVISIONS			
P	LTR	DESCRIPTION	DATE	DWN	APVD
GP	00	-	SEE SHEET 1	-	-



7. SOLDER PIN DETAIL
SCALE 10 : 1



△ SOLDER TERMINATION AREA
SCALE 40:1
RECOMMENDED PRINTED CIRCUIT SOLDER HOLE
FINISHED HOLE: Ø1.02 ±.08
DRILLED HOLE: Ø1.15 ±.013
COPPER PLATE: .025 MIN
TIN PLATE: .008 MIN. (PER SURFACE)

ELCON **FLATPAQ**

THIS DRAWING IS A CONTROLLED DOCUMENT FOR TYCO ELECTRONICS CORPORATION. IT IS SUBJECT TO CHANGE AND THE CONTROLLING ENGINEERING ORGANIZATION SHOULD BE CONTACTED FOR THE LATEST REVISION.		DWN R. GRZYBOWSKI 28 JAN 2009	Tyco Electronics Harrisburg, PA 17105-3608	
DIMENSIONS: mm		CHK P. DAMATO 28 JAN 2009	NAME SOCKET CONNECTOR STRAIGHT, SOLDER TAILS FLATPAQ	
TOLERANCES UNLESS OTHERWISE SPECIFIED: 0 PLC ±.5 1 PLC ±.5 2 PLC ±.25 3 PLC ±. 4 PLC ±. ANGLES ±3 FINISH		APVD M. PERCHERKE 28 JAN 2009	SIZE A200779	DRAWING NO C-2085120
MATERIAL		PRODUCT SPEC - APPLICATION SPEC - WEIGHT -	RESTRICTED TO -	SCALE 3:1 SHEET 3 OF 3 REV A1
		CUSTOMER DRAWING		