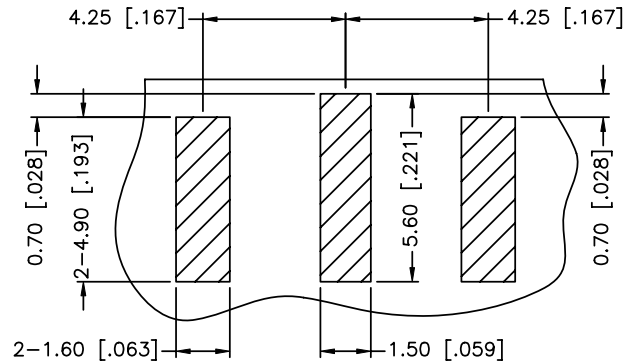
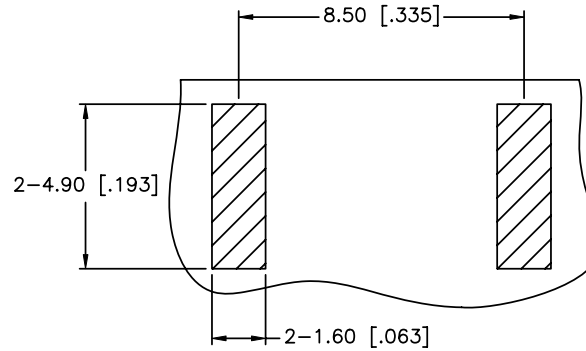


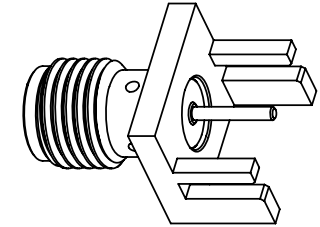
REV.	DATE	ECR NO.	DESCRIPTION
NC	03/20/12	XXXXXX	INITIAL RELEASE



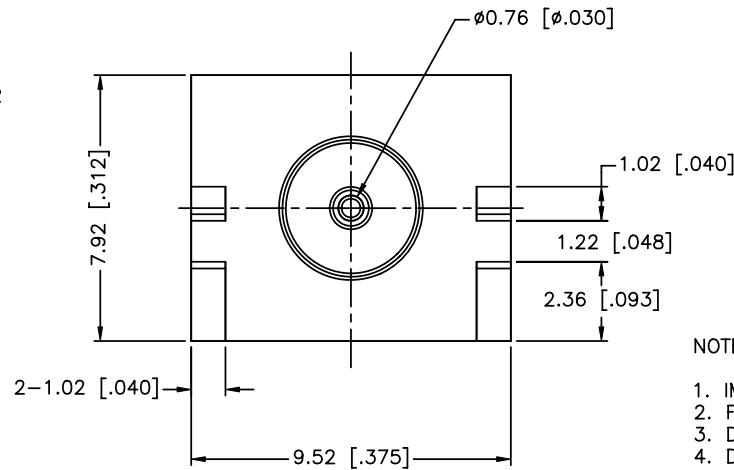
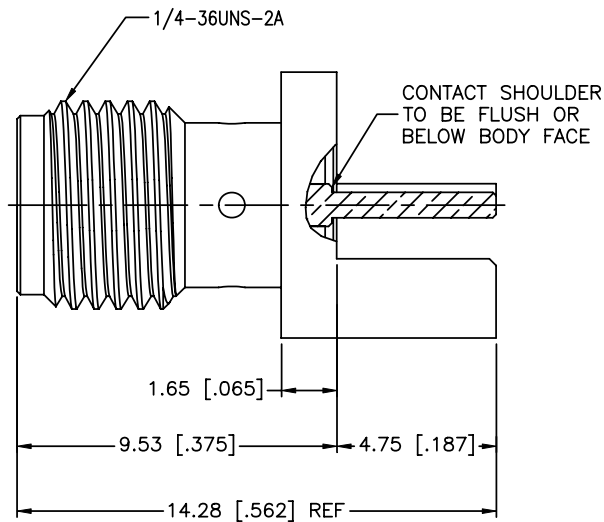
TOP VIEW



BOTTOM VIEW



RECOMMENDED PCB LAYOUT



NOTES:

1. IMPEDANCE: 50 OHM
2. FREQUENCY RANGE: DC-18 GHZ
3. DIELECTRIC WITHSTANDING VOLTAGE: 1000 VRMS, MIN.
4. DURABILITY: 500 CYCLES MIN.
5. TEMPERATURE RANGE: -65°C TO +165°C
6. CONTACT PIN MUST WITHSTAND 6 LBS MIN. AXIAL IN BOTH DIRECTIONS AND 4 IN-OZ MIN. RADIAL FORCE.
7. BOARD THICKNESS=1.07 MM [.042"]

UNLESS OTHERWISE SPECIFIED DIMENSIONS ARE IN MILLIMETERS. DIMENSIONS IN [ ] ARE IN INCHES AND FOR CUSTOMER REFERENCE ONLY.

UNLESS OTHERWISE SPECIFIED TOLERANCES FOR MILLIMETERS ARE:  
0.5 - 8mm ± 0.20mm  
8 - 30mm ± 0.40mm  
30 - 120mm ± 0.50mm

UNLESS OTHERWISE SPECIFIED TOLERANCES FOR INCHES ARE:  
.020 - .315 = ± 0.007"  
.315 - 1.180 = ± 0.015"  
1.180 - 4.724 = ± 0.020"

APPROVALS	DATE
DRAWN I.XU	03/20/12
CHECKED	
ISSUED	
SHEET 1 OF 1	
CAD FILE	
C:/CONNEX/132409-10.DWG	

# Amphenol Connex

PART DESCRIPTION  
**SMA END LAUNCH RECEPTACLE, FLUSH FLANGE  
(.042" BOARD THICKNESS)**

PART NO. **132409-10**

DWG. NO. 132409-10 REV. NC SIZE A SCALE NA

DESCRIPTION	MATERIAL	FINISH	QTY
3 CONTACT PIN	BERYLLIUM COPPER	GOLD	1
2 INSULATOR	PTFE	NATURAL	1
1 BODY	BRASS	GOLD	1

DO NOT SCALE DRAWING