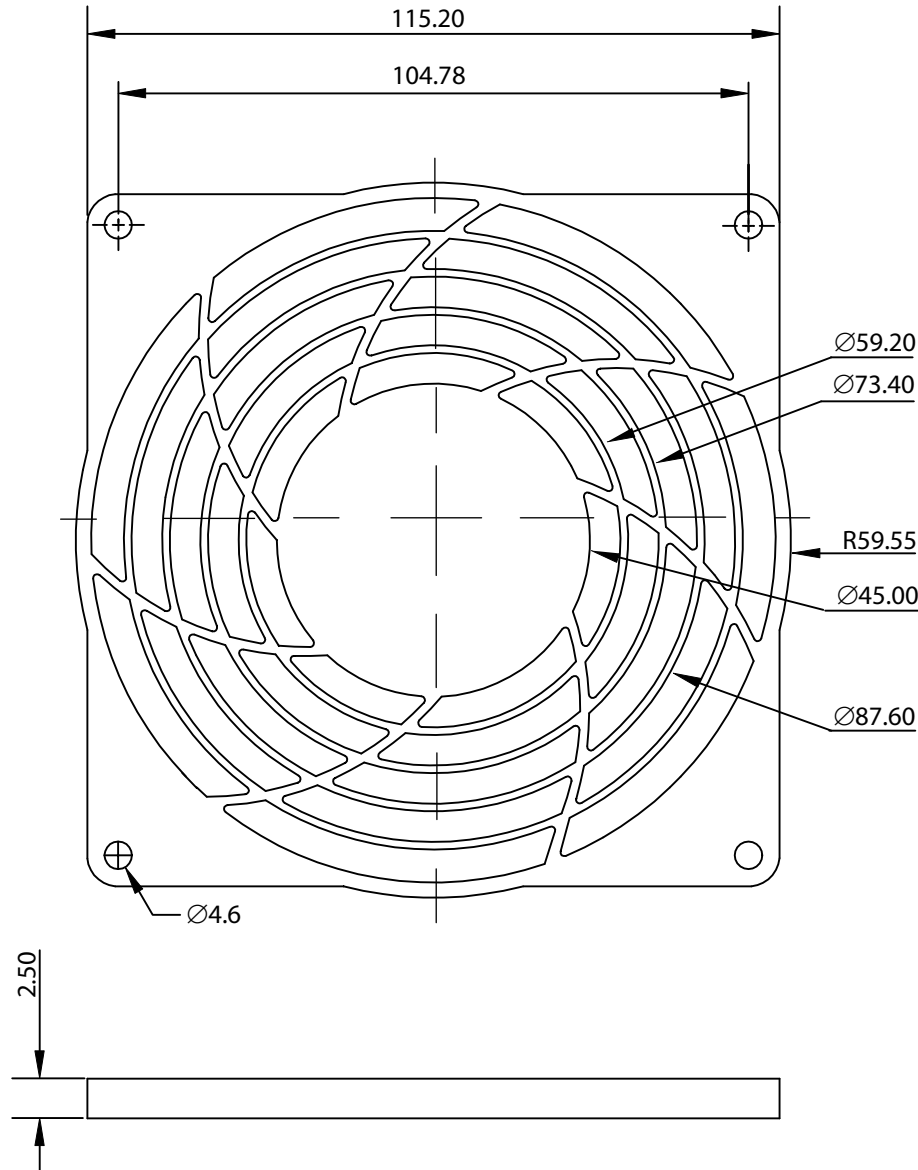


THESE DRAWINGS ARE THE PROPERTY OF QUALTEK ELECTRONICS AND NOT TO BE REPRODUCED FOR OR COMMUNICATED TO A THIRD PARTY WITHOUT THE EXPRESS WRITTEN PERMISSION OF AN OFFICER OF QUALTEK ELECTRONICS.

| REVISION |                        |          |          |
|----------|------------------------|----------|----------|
| REV.     | DESCRIPTION            | DATE     | APPROVED |
| B        | RoHS Compliancy        | 06-01-06 | DP       |
| C        | Updated Specifications | 01-23-08 | DP       |
| D        | Updated Material Specs | 03-31-09 | LY       |



NOTES:

MATERIAL: PC2805  
RoHS COMPLIANT

**CONTROLLED**

| Dim range (mm) | Tolerance +/- (mm) | Qualtek Electronics Corp.<br>FAN-S DIVISION |                |  |
|----------------|--------------------|---|----------------|--|
| 0-5            | 0.1                | Part Number: 09122-G                        |                | <span style="border: 1px solid green; padding: 2px;">RoHS Compliant</span> |
| 5-16           | 0.15               | Description: PLASTIC FAN GUARD              |                |  |
| 16-64          | 0.2                |   | UNIT: mm       | REV: D   |
| 64-250         | 0.4                | Drawn / Date                                | Checked / Date | Approved / Date  |
| 250-1000       | 0.5                | B. ZHANG<br>10-28-03                        | 10-28-03       | JJH / 10-28-03   |
| 1000-1500      | 1.0                |   |                |  |