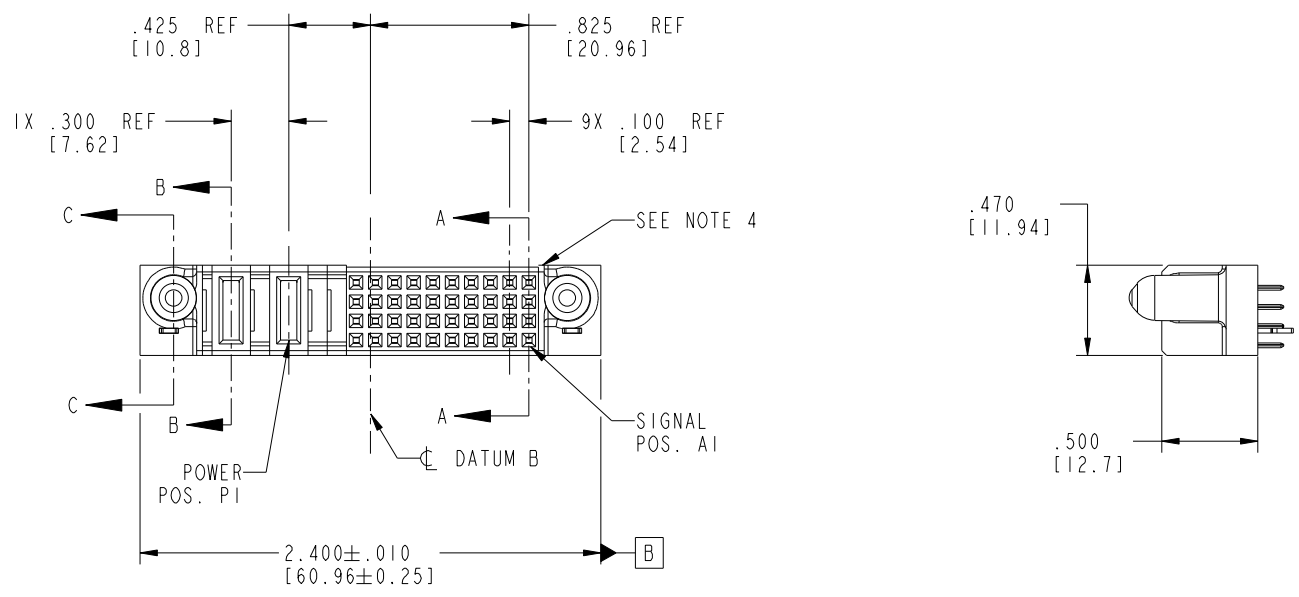


Tous droits strictement réservés. Reproduction ou communication a des tiers interdite sous quelque forme que ce soit sans autorisation écrite du propriétaire. Propriété de c FCI. Droits de reproduction FCI.



All rights strictly reserved. Reproduction or issue to third parties in any form whatever is not permitted without written authority from the proprietor. Property of FCI. Copyright FCI.

PRODUCT NO. 51940-135-- NOTE ③	ROWS DCBA	POWER			SIGNAL										E1							
		E2	P2	P1	10	9	8	7	6	5	4	3	2	1								
					E	E	X	X	X	E	E	E	E	E	E	E	E	E	E	E	E	



CODE	DIM "M"	MATING LENGTH	CONTACT TYPE
E	N/A	[N/A]	SIGNAL
PA	.042	[1.07]	POWER
HA	N/A	[N/A]	HOLD-DOWN
X	OMITTED		

mat'l code				SEE NOTE 2		tolerances unless otherwise specified		CUSTOMER		 www.fciconnect.com	
lir	ecn no.	dr	date	linear	.XX±.01/0.X±0.3	projection		title 40S+2P			
A	DG05-0072	SW	04/04/05	angles	.XXX±.005/0.XX±0.13			VERTICAL SOLDER RECEPT			
B	DG08-0237	W D	09/01/08	dr	.XXX±.0020/0.XXX±0.051			product family PwrBlade		code 213	
				engr	0°±2°	scale 1:1		size A		sheet 1 of 4	
				chr	STEVEN WANG 04/04/05			51940-135			
				appd	STEVEN WANG 04/04/05						
					VICTOR LIN 04/04/05						
					JOSEPH HSIA 04/04/05						
sheet index	revision sheet	B 1	B 2	B 3	B 4						

B

B

1 | 2

Pro/E

PDM: Rev: B

STAT: Released

Printed: Dec 20, 2010

3 |

4

cage code 22556

4

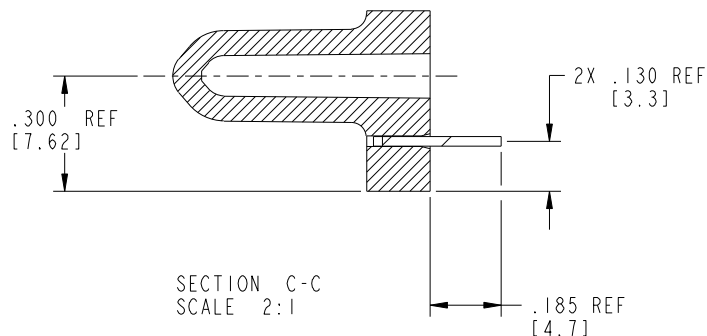
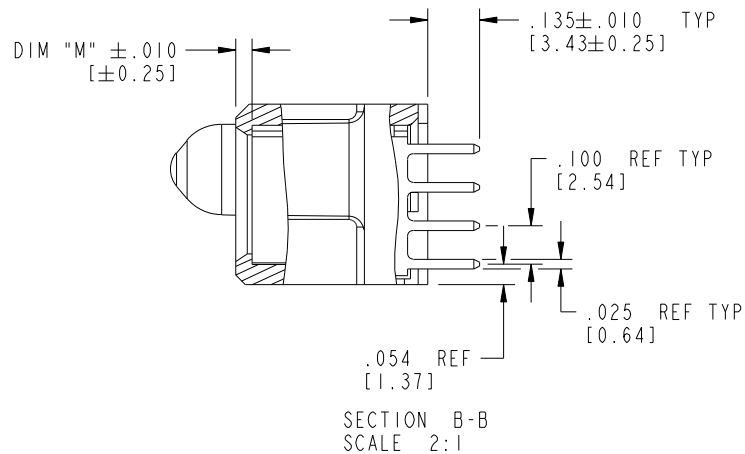
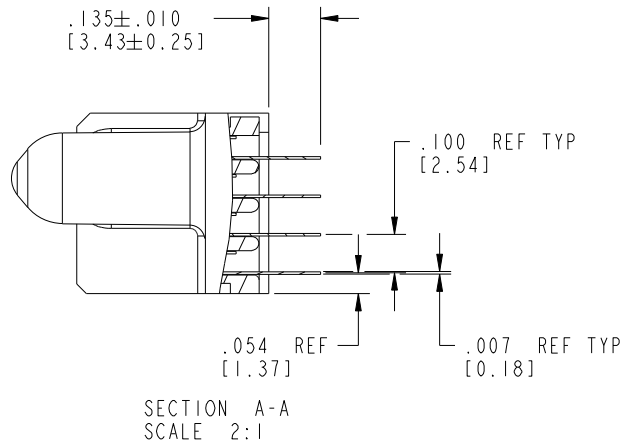
Tous droits strictement réservés. Reproduction ou communication a des tiers interdite sous quelque forme que ce soit sans autorisation écrite du propriétaire. Propriété de c FCI. Droits de reproduction FCI.

All rights strictly reserved. Reproduction or issue to third parties in any form whatever is not permitted without written authority from the proprietor. Property of FCI. Copyright FCI.



PRODUCT NUMBER

51940-135__
NOTE (3)



mat'l code		SEE NOTE 2		tolerances unless otherwise specified		CUSTOMER		FCI	
lfr	ecn no.	dr	date	linear	.XX±.01/0.X±0.3	COPY		www.fciconnect.com	
B				projection	.XXY±.005/0.XX±0.13	INCH/MM		title	
				angles	.XXX±.0020/0.XXX±0.051	1:1		40S+2P	
				dr	0°±2°	scale		VERTICAL SOLDER RECEPT	
				enr	STEVEN WANG 04/04/05	A		product family	
				chr	STEVEN WANG 04/04/05	51940-135		PwrBlade	
				appd	VICTOR LIN 04/04/05	2 of 4		code	
					JOSEPH HSIA 04/04/05	2 of 4		213	
sheet index	revision sheet								sheet
									2 of 4

Pro/E

PDM: Rev:B

STATUS: Released

Printed: Dec 20, 2010

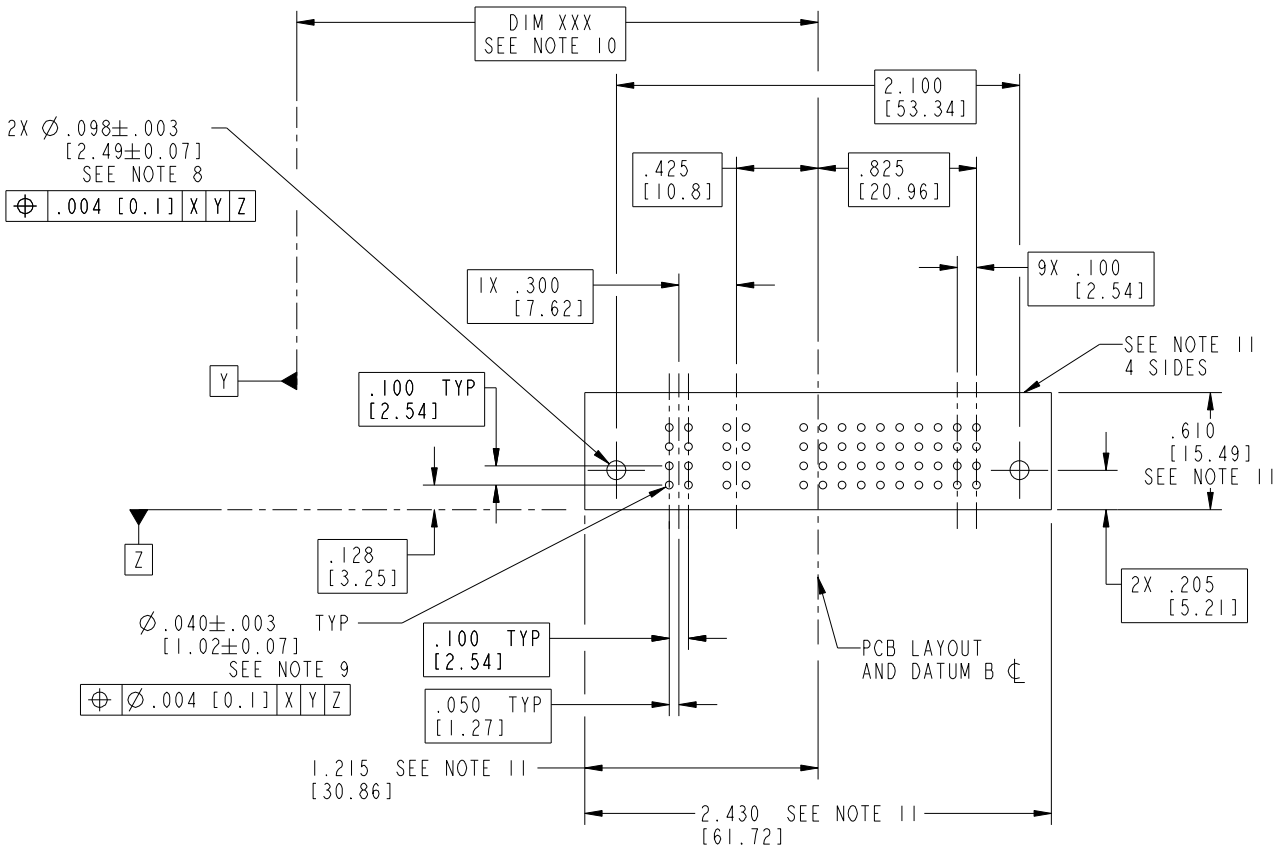
Tous droits strictement réservés. Reproduction ou communication a des tiers interdite sous quelque forme que ce soit sans autorisation écrite du propriétaire. Propriété de c FCI. Droits de reproduction FCI.

All rights strictly reserved. Reproduction or issue to third parties in any form whatever is not permitted without written authority from the proprietor. Property of FCI. Copyright FCI.



PRODUCT NUMBER

51940-135__
NOTE ③



RECOMMENDED PCB LAYOUT

mat'l code		SEE NOTE 2		tolerances unless otherwise specified		CUSTOMER		FCI	
lir	ecn no.	dr	date	linear	.XX±.01/0.X±0.3	COPY		www.fciconnect.com	
B				projection	.XXX±.005/0.XX±0.13	INCH/MM		title 40S+2P	
				angles	.XXX±.0020/0.XXX±0.051	1:1		VERTICAL SOLDER RECEPT	
				dr	0°±2°	scale		product family PwrBlade code	
				engr	STEVEN WANG 04/04/05	1:1		size 213	
				chr	STEVEN WANG 04/04/05	A		sheet 3 of 4	
				appd	VICTOR LIN 04/04/05	51940-135			
					JOSEPH HSIA 04/04/05				
sheet index	revision sheet								

cage code 28556

Pro/E

PDM: Rev:B

STATUS: Released

Printed: Dec 20, 2010

Tous droits strictement réservés. Reproduction ou communication a des tiers interdite sous quelque forme que ce soit sans autorisation écrite du propriétaire. Propriété de c FCI. Droits de reproduction FCI.



All rights strictly reserved. Reproduction or issue to third parties in any form whatever is not permitted without written authority from the proprietor. Property of FCI. Copyright FCI.

1 | 2

3 |

4

PRODUCT NUMBER
51940-135__
NOTE ③

NOTES:

1. DIMENSIONS AND TOLERANCES ARE IN ACCORDANCE WITH ASME Y14.5M, 1994 UNLESS OTHERWISE SPECIFIED.

CONNECTOR NOTES:

② HOUSING MATERIAL: UL 94 V-0 GLASS FILLED HIGH-TEMP THERMOPLASTIC
POWER CONTACT MATERIAL: COPPER ALLOY
SIGNAL PIN MATERIAL: COPPER ALLOY

ⓑ 3. PLATING SPEC.
51940-135, 51940-135LF PLATING SPEC. WAS SHOWN IN THE PRINT OF 10064183.

④ MANUFACTURER'S NAME, P/N, AND DATE CODE TO APPEAR ON THIS SURFACE.

5. PRODUCT SPECIFICATION GS-12-149.
APPLICATION SPECIFICATION BUS-20-067.

6. PACKAGED IN TRAYS.

PCB NOTES:

7. ALL HOLE DIAMETERS ARE FINISHED HOLE SIZE.

⑧ MOUNTING HOLES, WHERE APPLICABLE, ARE UNPLATED.

⑨ $\varnothing .0453 \pm .0010$ [1.151 \pm 0.025] DRILLED HOLES PLATED WITH .0003 [0.008] MIN SnPb OVER .001 [0.03] TO .003 [0.08] Cu PLATING TO ACHIEVE $\varnothing .040 \pm .003$ [1.02 \pm .07] HOLE.

⑩ "DIM XXX" TO BE DETERMINED BY THE CUSTOMER.

⑪ CONNECTOR KEEP-OUT ZONE.

12. A ⓑ SYMBOL WILL BE NEXT TO ANY DIMENSION, VIEW, OR NOTE WHICH HAS BEEN MODIFIED WITH THE CURRENT DRAWING REVISION.

mat'l code				SEE NOTE 2		tolerances unless otherwise specified		CUSTOMER		FCI		www.fciconnect.com	
ltr	ecn no.	dr	date	linear	.XX±.01/0.X±0.3		COPY		title				
B					.XXY±.005/0.XX±0.13		projection		40S+2P				
					.XXX±.0020/0.XXX±0.051				VERTICAL SOLDER RECEPT				
				angles	$0^{\circ} \pm 2^{\circ}$		INCH/MM		product family		code		
				dr	STEVEN WANG	04/04/05	scale		PwrBlade		213		
				enrg	STEVEN WANG	04/04/05	1:1		size		sheet		
				chr	VICTOR LIN	04/04/05			A		4 of 4		
				appd	JOSEPH HSIA	04/04/05			51940-135				
sheet index		revision sheet											

A

A

B

B

1 | 2

Pro/E

PDM: Rev:B

STATUS: Released

Printed: Dec 20, 2010

cage code 28556

4