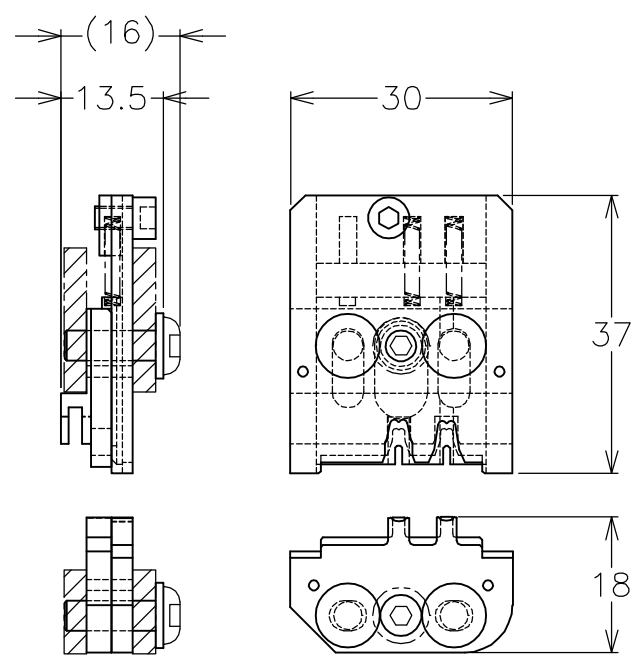


LOC J	DIST —	REVISIONS 変更			DATE	DWN	APVD
		P	LTR	DESCRIPTION			
			A	RELEASED	17AUG05	S.N	S.Y

-1 ONLY



THIS DRAWING IS UNPUBLISHED.  
 ALL RIGHTS RESERVED.  
 BY TYCO ELECTRONICS CORPORATION.

TERMINAL No.	WIRE SIZE AWG#	INS. RANGE (mm)	TERMINAL CH (mm)		IS. No.
			WIRE	INS.	
175217 (REC)	#24	∅1.2-∅1.6	0.90-1.08	2.45 REF	411-78206
175288 (TAB)	#22	∅1.7-∅2.6	0.97-1.13	2.70 REF	
	#20		0.97-1.24		

DIMENSIONS: 単位: 耗 mm	DWN S.NAKA	17.AUG.2005	MATERIAL 材料	—	FINISH 仕上	—	
	CHK S.NAKA	17.AUG.2005	Tyco Electronics AMP K.K. Kawasaki, Japan				
TOLERANCES UNLESS OTHERWISE SPECIFIED: 一般公差	APVD S.YABE	17.AUG.2005					
	PRODUCT SPEC 製品規格	—		NAME 名称		DIE ASSY	
0 PLC ± -	APPLICATION SPEC 取付適用規格	114-5148		SIZE	CAGE CODE	DRAWING NO 番号	RESTRICTED TO —
1 PLC ± -	WEIGHT	90 g		A4	00779	① 1762955	
2 PLC ± -	CUSTOMER DRAWING			SCALE 尺度	1:1	SHEET 1 OF 1	REV A
3 PLC ± -							
4 PLC ± -							
ANGLES ± -							

