

THIS DRAWING IS UNPUBLISHED.

RELEASED FOR PUBLICATION

ALL RIGHTS RESERVED.

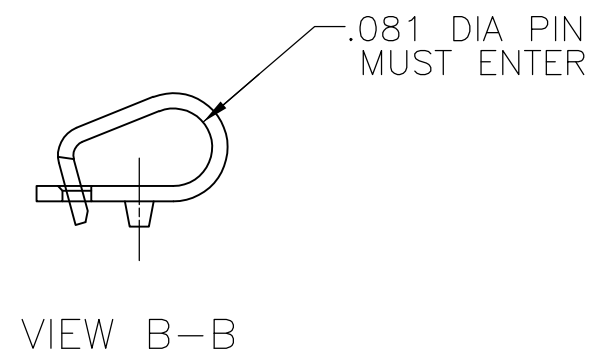
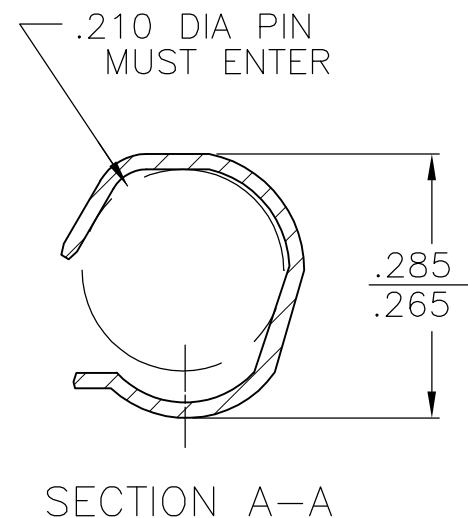
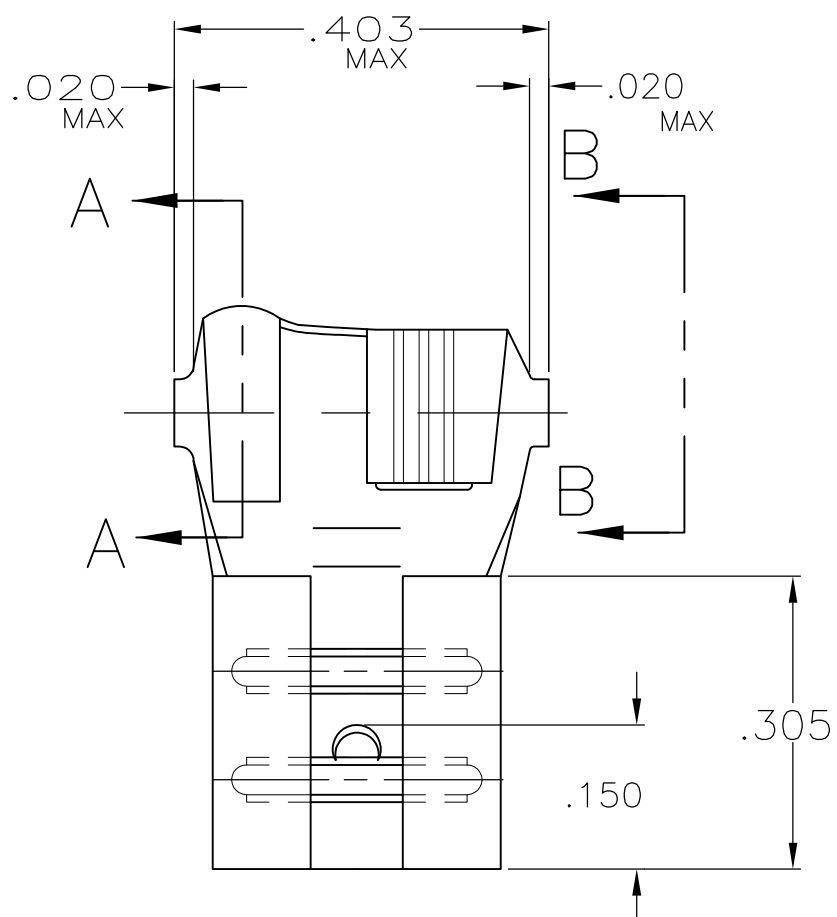
© COPYRIGHT - By -

LOC AF DIST 50


REVISIONS

P	LTR	DESCRIPTION	DATE	DWN	APVD
	B	REVISED PER ECR-12-013445	18OCT12	KH	PD

- 1 WIRE AND INSULATION BARRELS TO BE PREFORMED AS SHOWN IN CUT OFF OPERATION.
- 2 SUPPLIED IN LOOSE PIECE.
- 3 MATING TAB THK IS 0.81 ± 0.025 [$.032 \pm .001$].
- 4 WIRE SIZE IS 0.8-3.0mm² [18-12] AWG
- 5 INSULATION RANGE IS 2.79-5.33 [$.110-.210$] DIA.



OBSOLETE	8-41898-1
	41898
	PART NO.

THIS DRAWING IS A CONTROLLED DOCUMENT.		DWN JR RUTH 11/16/93	 TE Connectivity RECEPTACLE, FASTON, FLAG, .250 SERIES			
DIMENSIONS: INCHES		CHK MS FEHER 11/16/93				NAME
TOLERANCES UNLESS OTHERWISE SPECIFIED:		APVD P DESANTIS 11/16/93				PRODUCT SPEC
0 PLC ± - 1 PLC ± - 2 PLC ± - 3 PLC ± 0.38 [.015] 4 PLC ± - ANGLES ± -		APPLICATION SPEC				SIZE CAGE CODE DRAWING NO RESTRICTED TO
MATERIAL BRASS	FINISH TIN	WEIGHT -	A300779	C-41898	-	
CUSTOMER DRAWING			SCALE 4:1	SHEET 1 OF 1	REV B	