

PART NUMBER: CS-3612

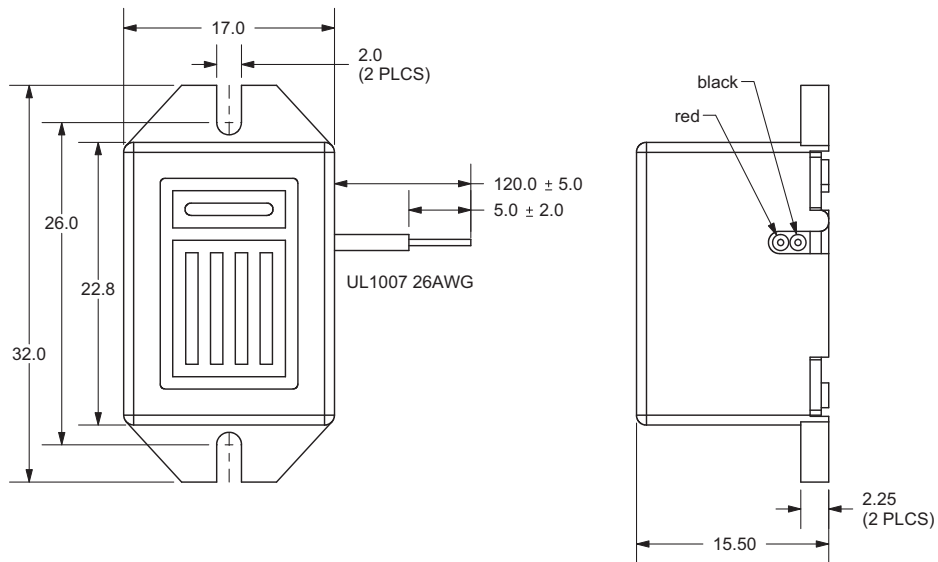
DESCRIPTION: solid state buzzer

SPECIFICATONS

| | | |
|-----------------------|--------------|------------------|
| operating voltage | 8 ~ 16 V DC | |
| current consumption | 30 mA max. | at 12 V DC |
| sound pressure level | 79 db min. | at 30 cm/12 V DC |
| tone | continuous | |
| operating temperature | -20 ~ +60° C | |
| storage temperature | -30 ~ +70° C | |
| weight | 9.7 g max. | |
| RoHS | yes | |

APPEARANCE DRAWING

tolerance: ±0.5
units: mm



CURRENT CONSUMPTION/SOUND PRESSURE LEVEL

