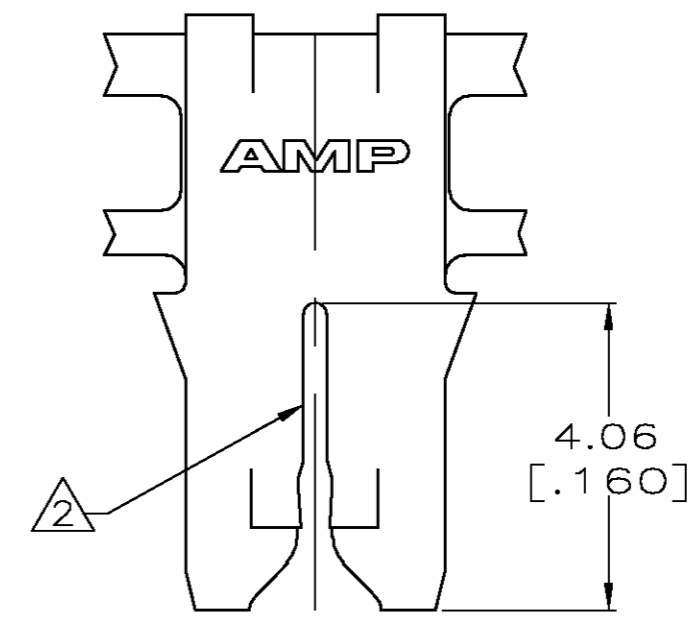
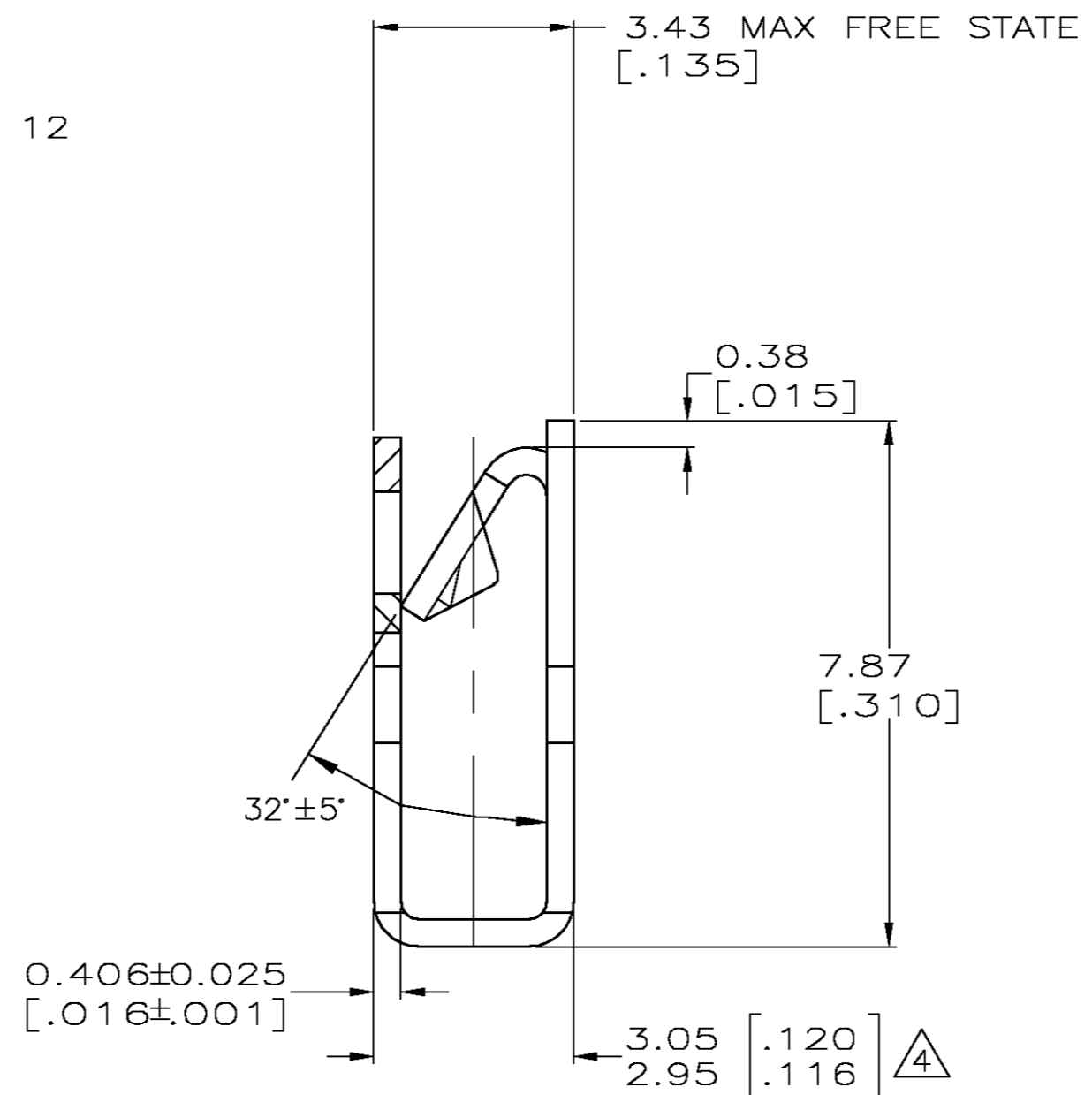
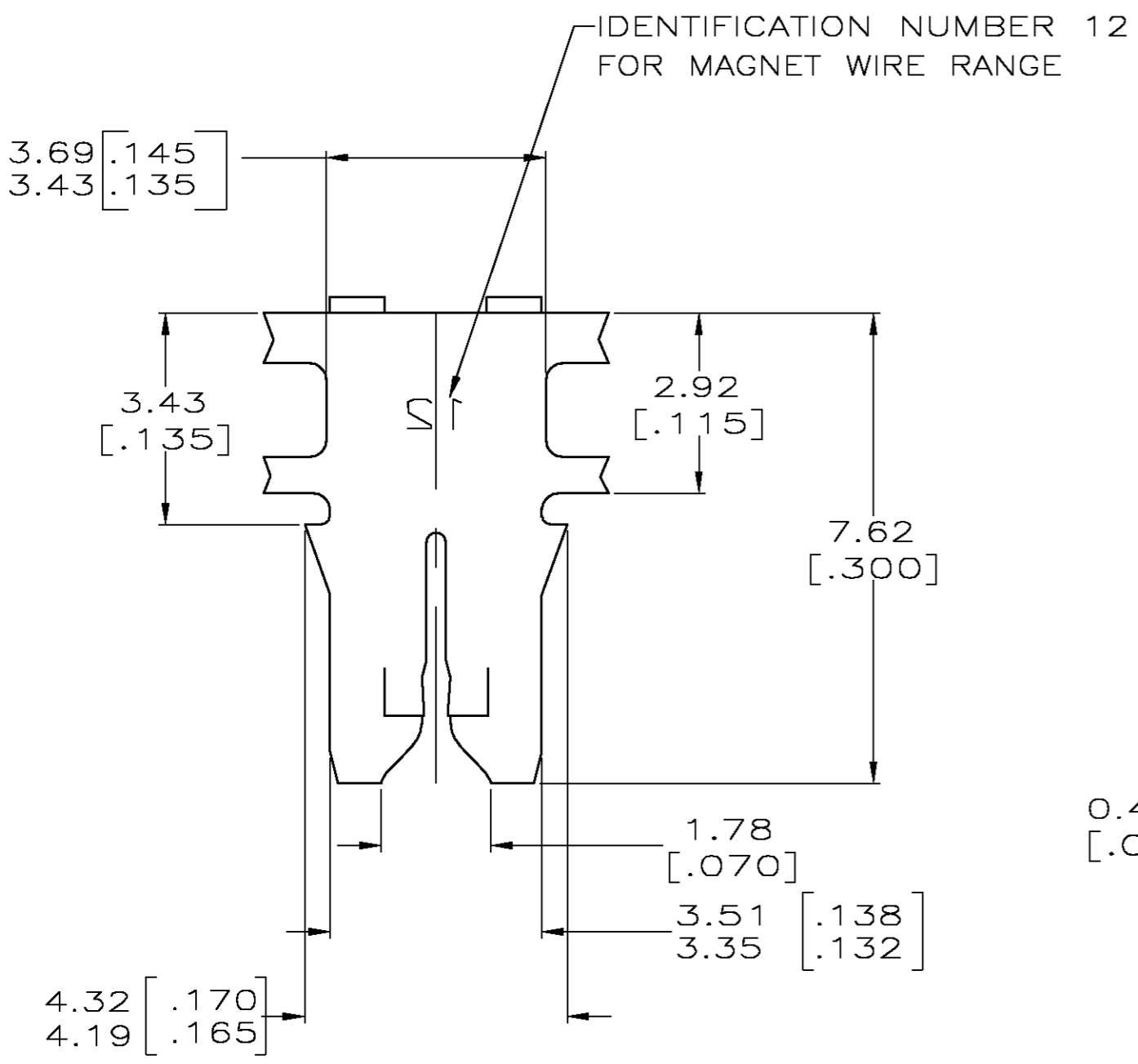
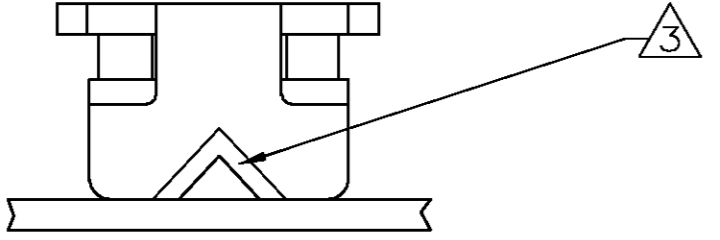


THIS DRAWING IS UNPUBLISHED. RELEASED FOR PUBLICATION
 © COPYRIGHT BY TYCO ELECTRONICS CORPORATION. ALL RIGHTS RESERVED.

LOC	DIST	REVISIONS			
P	LTR	DESCRIPTION	DATE	DWN	APVD
AF	50	N	REV PER 0G3A-0254-04	26APR04	JR KR

- 1 CONTINUOUS STRIP ON REELS WITH TERMINALS LOCATED ON 5.59±0.08 [.220±.003] CENTERS.
- 2 SLOT ACCEPTS 0.45-0.64mm [#25-#22] AWG COPPER MAGNET WIRE. TWO WIRES OF THE SAME SIZE PER SLOT EXCEPT 0.64 [#22] AWG WHICH IS ONE WIRE ONLY.
- 3 POKE-IN ACCEPTS A 0.50-0.90mm [#20-#18] AWG SOLID OR FUSED STRANDED LEAD WIRE.
- 4 MEASURE WHEN FREE STATE IS COMPRESSED TO 2.95 [.116] MAX.
- 5 0.002032 [.000080] MIN TIN PLATE.



H04 PHOSPHOR BRONZE	STANDARD	PAPER SPLICE	WITHOUT PAPER EXCEPT IN SPLICE AREAS	5	63658-5
4M BRASS	STANDARD	SPLICE FREE	PLASTIC REEL WITH PAPER	UNPLATED	63658-4
4M BRASS	REVERSE	PAPER SPLICE	WITHOUT PAPER EXCEPT IN SPLICE AREAS	5	63658-3
4M BRASS	STANDARD	SPLICE FREE	PLASTIC REEL WITHOUT PAPER	5	63658-2
4M BRASS	STANDARD	PAPER SPLICE	WITHOUT PAPER EXCEPT IN SPLICE AREAS	5	63658-1
MATERIAL	REELING DIRECTION	SPLICE	REELING MATERIAL	FINISH	PART NO

THIS DRAWING IS A CONTROLLED DOCUMENT.

DWN	L.A.MAYER	8-10-92
CHK	M.S.FEHER	8-11-92
APVD	TL SHUTTER	8-11-92

PRODUCT SPEC: 108-2012
 APPLICATION SPEC: 114-2046

SCALE: 10:1 SHEET 1 OF 1 REV N

TYCO Electronics Tyco Electronics Corporation Harrisburg, PA 17105

NAME: TERMINAL, POKE-IN, 300 SERIES MAG-MATE

SIZE: A2 CAGE CODE: 00779 C=63658

WEIGHT: -

CUSTOMER DRAWING