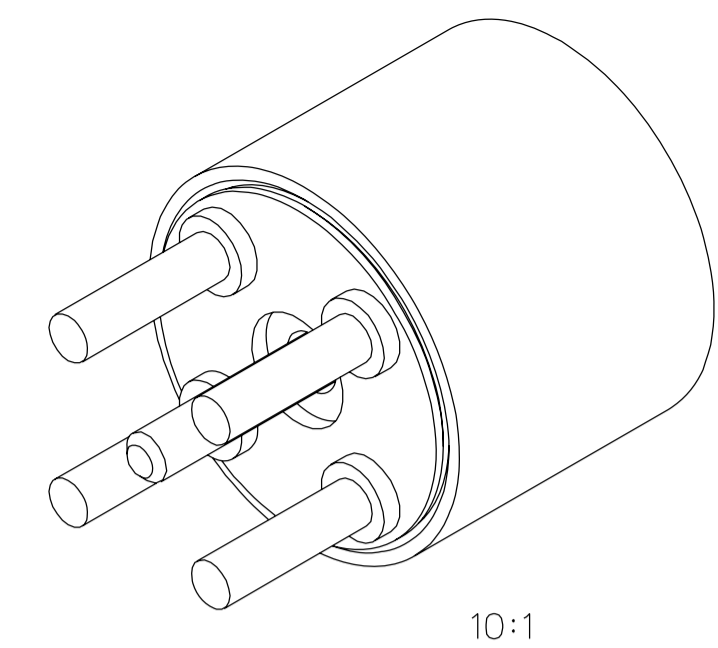
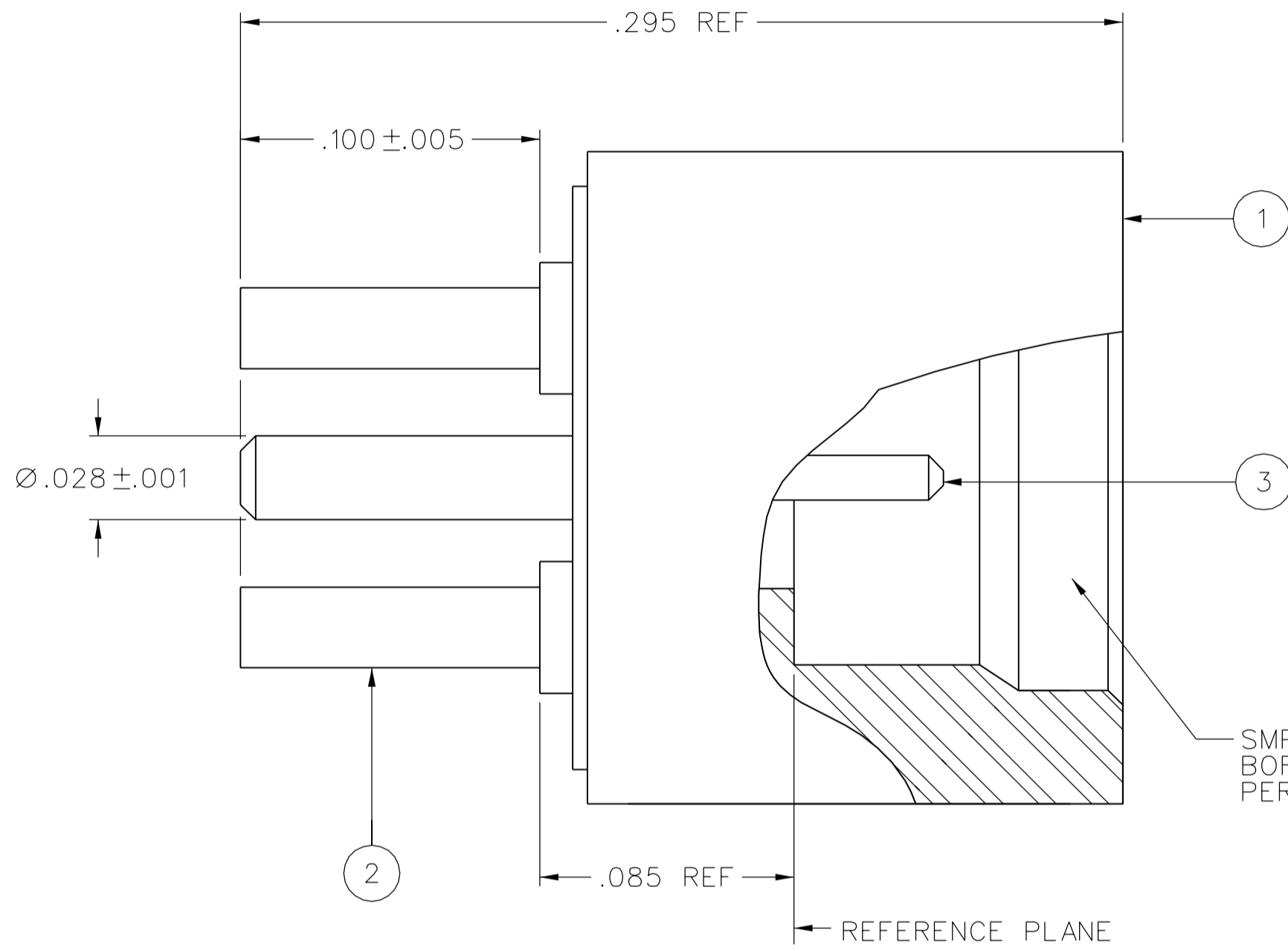
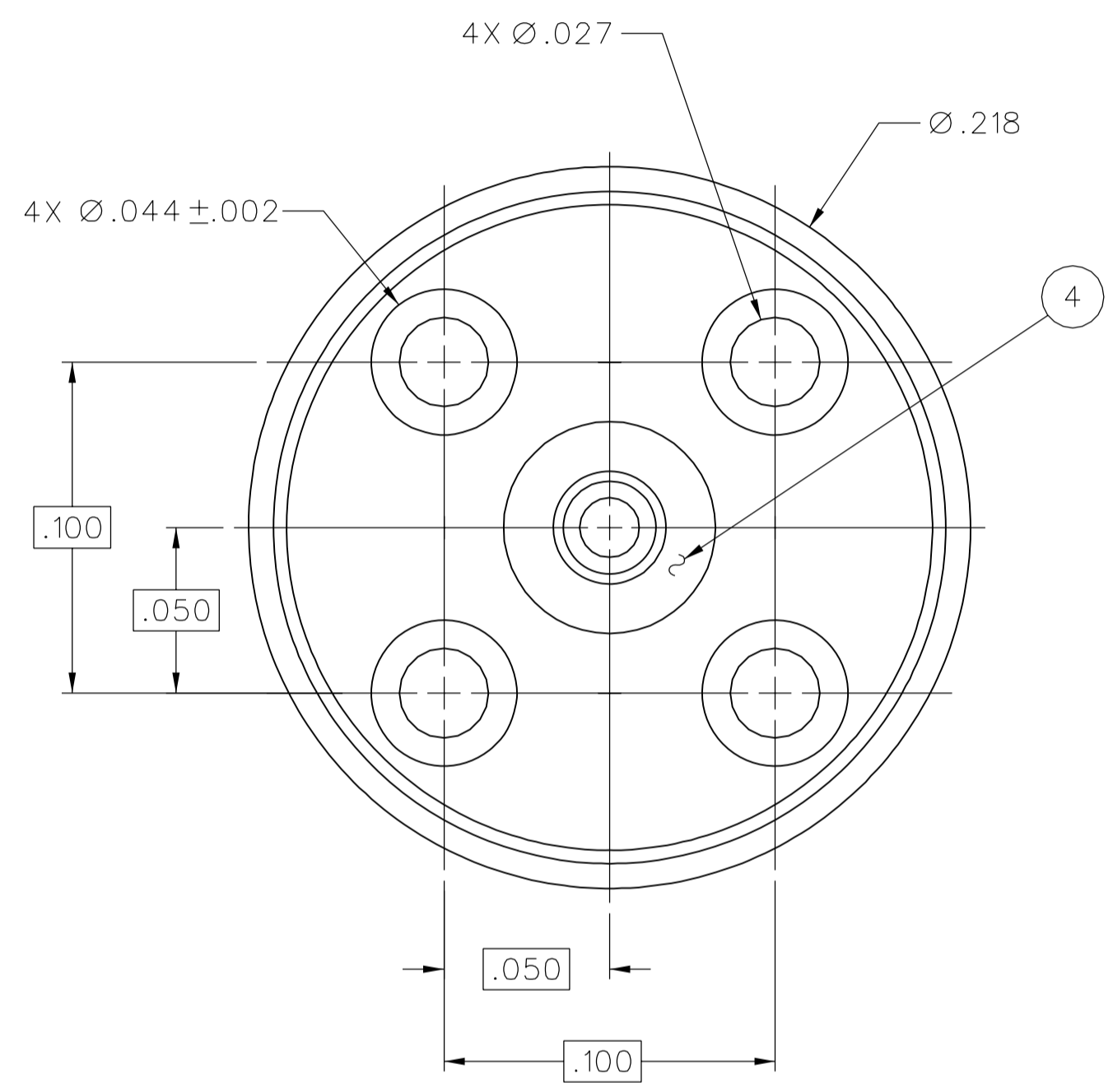


PART NUMBER 142-2701-201	ITEM ① BODY STAINLESS STEEL PASSIVATED	ITEM ② BASE BRASS GOLD PL .00003 MIN OVER NICKEL PL .00005 MIN OVER COPPER PL .00005 MIN	ITEM ③ CONTACT BERYLLIUM COPPER GOLD PL .00005 MIN OVER NICKEL PL .00005 MIN OVER COPPER PL .00005 MIN	ITEM ④ INSULATOR TEFLON
-----------------------------	---	---	---	-------------------------------

DRAWING NO. C - 127-2701-201/210	
0	REVISIONS
ENGINEERING RELEASE	
1	6-11-07 PARK JRK MJD PDW JCN 6-12-07 ECN 51067



10:1

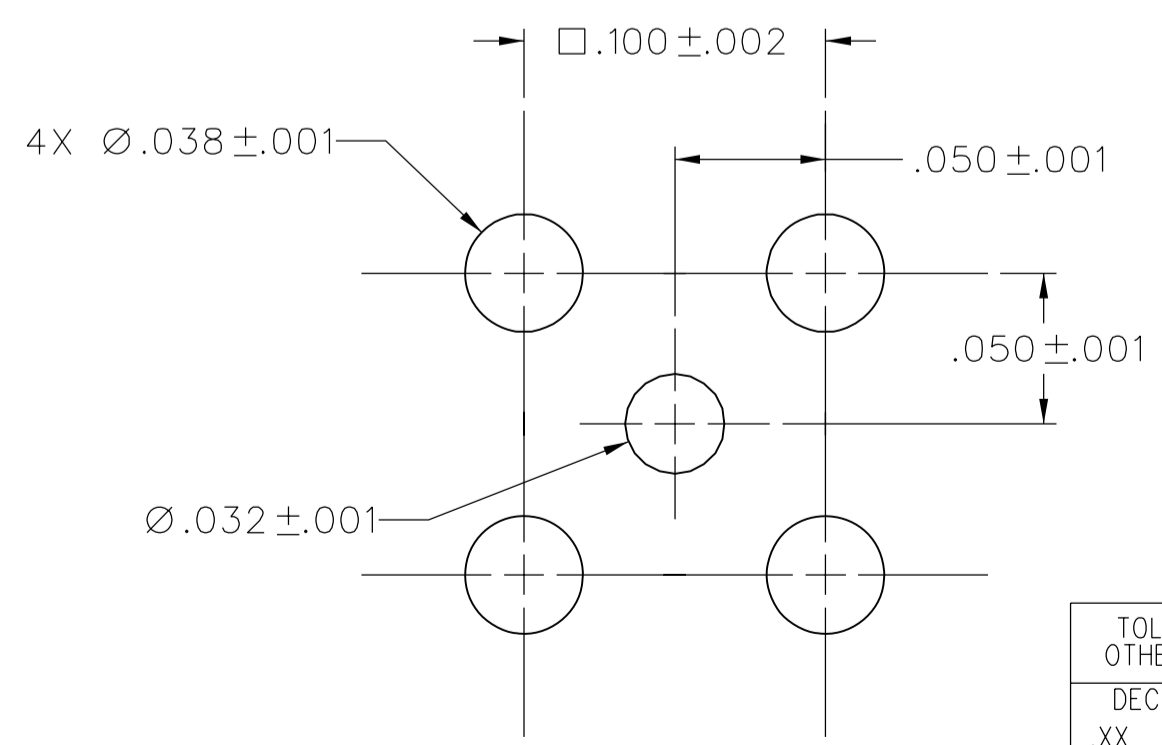


SMP SMOOTH BORE INTERFACE PER ML-STD-348A

REFERENCE PLANE

NOTES:

1. SPECIFICATIONS:
- IMPEDENCE: 50 OHMS NOMINAL
 - FREQUENCY RANGE: 0-12 GHz
 - VSWR: DEPENDANT ON APPLICATION
 - WORKING VOLTAGE: 335 VRMS MAX AT SEA LEVEL
 - DIELECTRIC WITHSTANDING VOLTAGE: 500 VRMS MIN AT SEA LEVEL
 - INSULATION RESISTANCE: 5000 MEGOHM MIN
 - CONTACT RESISTANCE:
 - CENTER CONTACT - INITIAL 6.0 MILLIOHM MAX, AFTER ENVIRONMENTAL NOT APPLICABLE
 - OUTER CONDUCTOR - INITIAL 2.0 MILLIOHM MAX, AFTER ENVIRONMENTAL NOT APPLICABLE
 - CORONA LEVEL: 190 VOLTS MIN AT 70,000 FEET
 - RF HIGH POTENTIAL WITHSTANDING VOLTAGE: 325 VRMS MIN AT 4 AND 7 MHz
- MECHANICAL:
- INTERFACE DESIGN: IN ACCORDANCE WITH MIL-STD-348A, SERIES SMP, SMOOTH BORE
 - ENGAGEMENT FORCE: 2 LBS MAX
 - DISENGAGEMENT FORCE: 0.5 LBS MIN
 - CONTACT RETENTION: 1.5 LBS MIN AXIAL FORCE
 - DURABILITY: 1000 CYCLES MIN
- ENVIRONMENTAL:
- (MEETS OR EXCEEDS THE APPLICABLE PARAGRAPH OF DSCC DWG NO. 94007)
 - OPERATING TEMPERATURE: -65°C TO 165°C
 - THERMAL SHOCK: MIL-STD-202, METHOD 107, CONDITION B, EXCEPT 165°C HIGH TEMP
 - MECHANICAL SHOCK: MIL-STD-202, METHOD 213, CONDITION I
 - CORROSION: MIL-STD-202, METHOD 101, CONDITION B
 - VIBRATION: MIL-STD-202, METHOD 204, CONDITION D
 - MOISTURE RESISTANCE: MIL-STD-202, METHOD 106, EXCEPT STEP 7B OMITTED




MOUNTING HOLE LAYOUT
15:1

CUSTOMER DRAWING

THIS DRAWING TO BE INTERPRETED PER ASME Y 14.5M - 1994

"μSTATION"

COMPANY CONFIDENTIAL

TOLERANCE UNLESS OTHERWISE SPECIFIED		DRAWN BY PAT	DATE 6-7-07	 Cinch CONNECTIVITY SOLUTIONS a bel group	Cinch Connectivity Solutions P.O. Box 1732 Waseca, MN 56093 1-800-247-8256	
DECIMALS	mm	CHECKED BY JRK	DATE 6-11-07		TITLE SMP, SMOOTH BORE STRAIGHT PC MOUNT	
.XX	_____	APPROVED BY PDW	DATE 6-11-07	SHEET 2 OF 2	DRAWING NO. C - 127-2701-201/210	
.XXX ±.003	_____	RELEASE DATE 6-12-07	SCALE 20:1			
MATL	_____	U/M	INCH			
FINISH	_____					