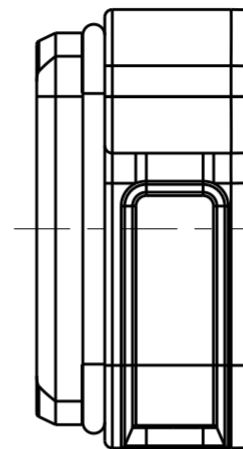
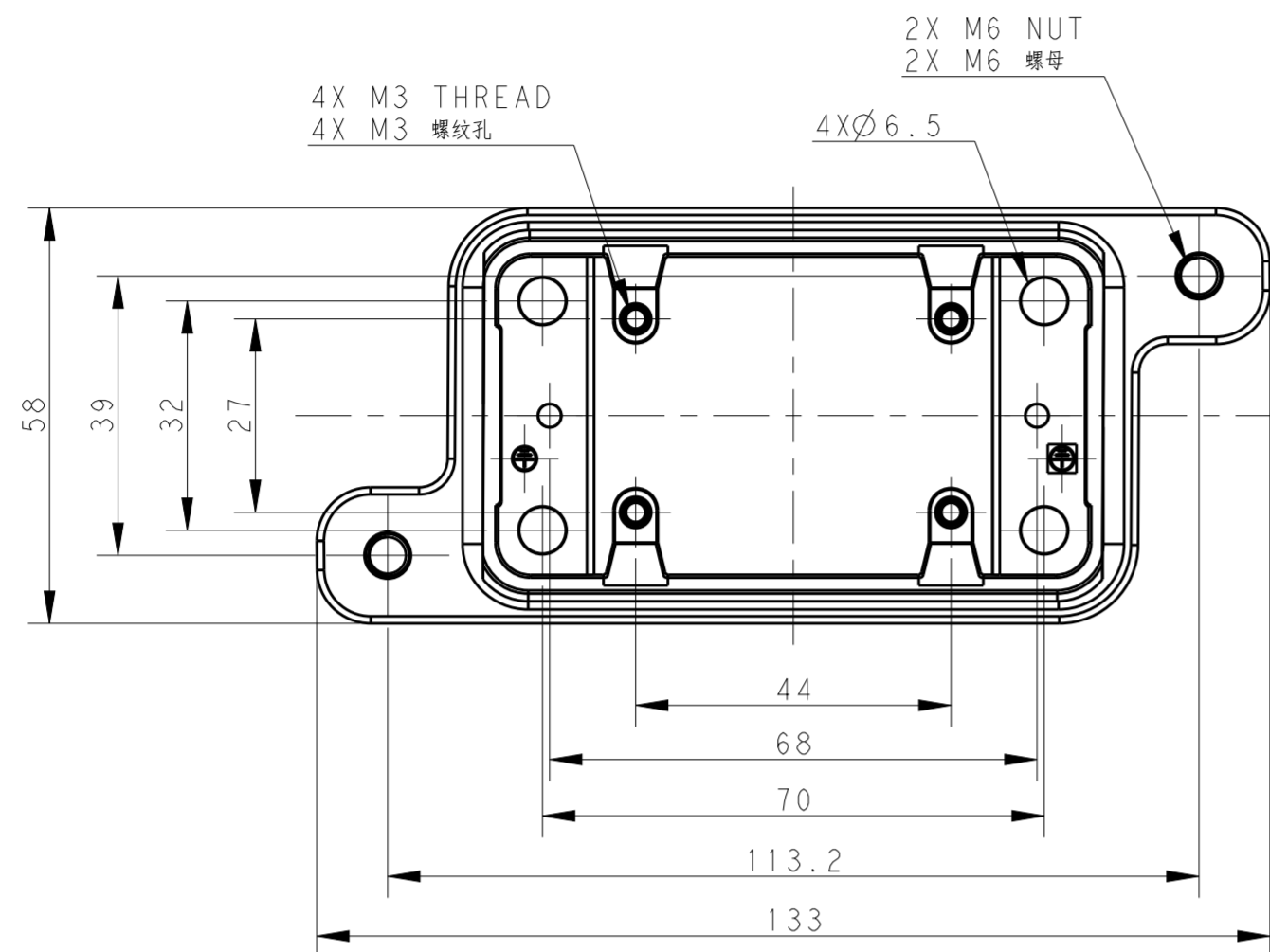


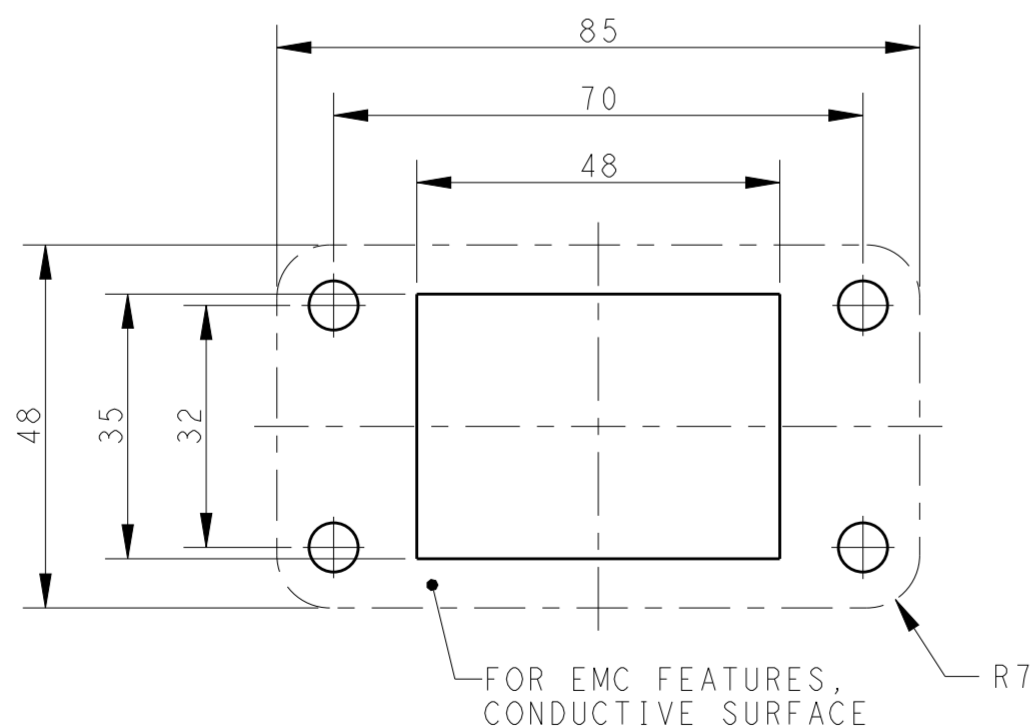
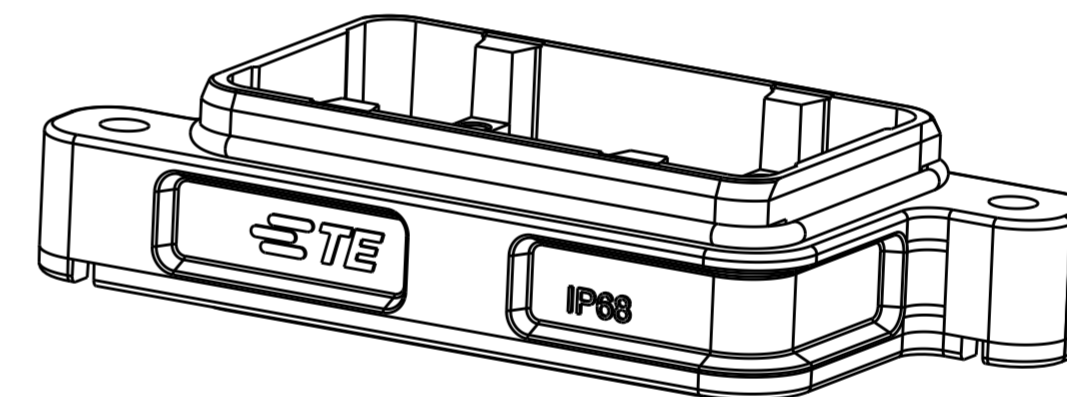
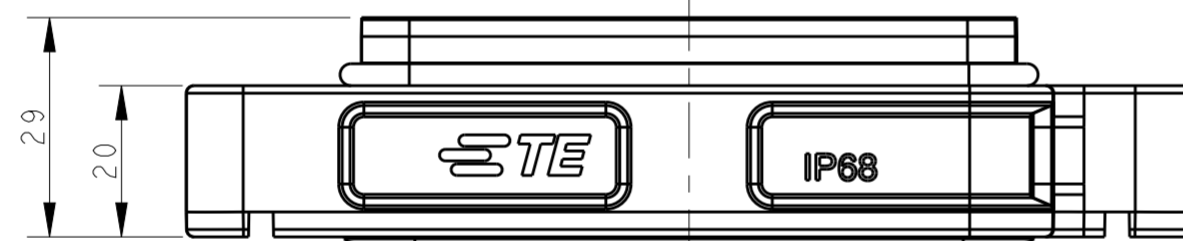
THIS DRAWING IS UNPUBLISHED. RELEASED FOR PUBLICATION 20  
 © COPYRIGHT 20 BY - ALL RIGHTS RESERVED.

REVISIONS				
P	LTR	DESCRIPTION	DATE	APVD
A		INITIAL RELEASE	24SEP2016	DW CW



NOTES:  
 1. TECHNICAL CHARACTERISTICS:  
 HOUSING MATERIAL: DIE CAST ALUMINIUM ALLOY  
 SURFACE : SEE TABLE  
 DEGREE OF PROTECTION: IP68 (MATED)

注释  
 1. 技术参数:  
 壳体材料: 铝合金  
 表面处理: 见表格  
 防护等级: IP68 (配合)



Panel Cut Out Dimension, Only for Reference  
 面板开口尺寸, 仅供参考

T1930062000-009	H6BPR-AG-EMC-C	H6BPR HOUSING, DIAGONAL LOCKING, BULKHEAD MOUNTED, POWDER COATED, GREY H6BPR 对角锁定开孔下壳 灰色
T1930061000-009	H6BPR-AG-EMC-C	H6BPR HOUSING, DIAGONAL LOCKING, BULKHEAD MOUNTED, POWDER COATED, SILVER WHITE H6BPR 对角锁定开孔下壳 银白色
T1930060000-009	H6BPR-AG-EMC-C	H6BPR HOUSING, DIAGONAL LOCKING, BULKHEAD MOUNTED, POWDER COATED, BLACK H6BPR 对角锁定开孔下壳 黑色
PART NUMBER 料号	PART DESCRIPTION 描述	

THIS DRAWING IS A CONTROLLED DOCUMENT.		DWN 24SEP2016 DAVID WANG	TE Connectivity	
		CHK 24SEP2016 CHRIS WANG		
		APVD 24SEP2016 XIANG XU	NAME H6BPR-AG-EMC-C	
DIMENSIONS: mm		TOLERANCES UNLESS OTHERWISE SPECIFIED:	PRODUCT SPEC 108-137191	
		0 PLC ± 1 PLC ± 2 PLC ± 3 PLC ± 4 PLC ± ANGLES ± FINISH	APPLICATION SPEC 114-137191	
MATERIAL			WEIGHT	
			SCALE 1:1	
			SHEET 1 OF 1	
			REV A	