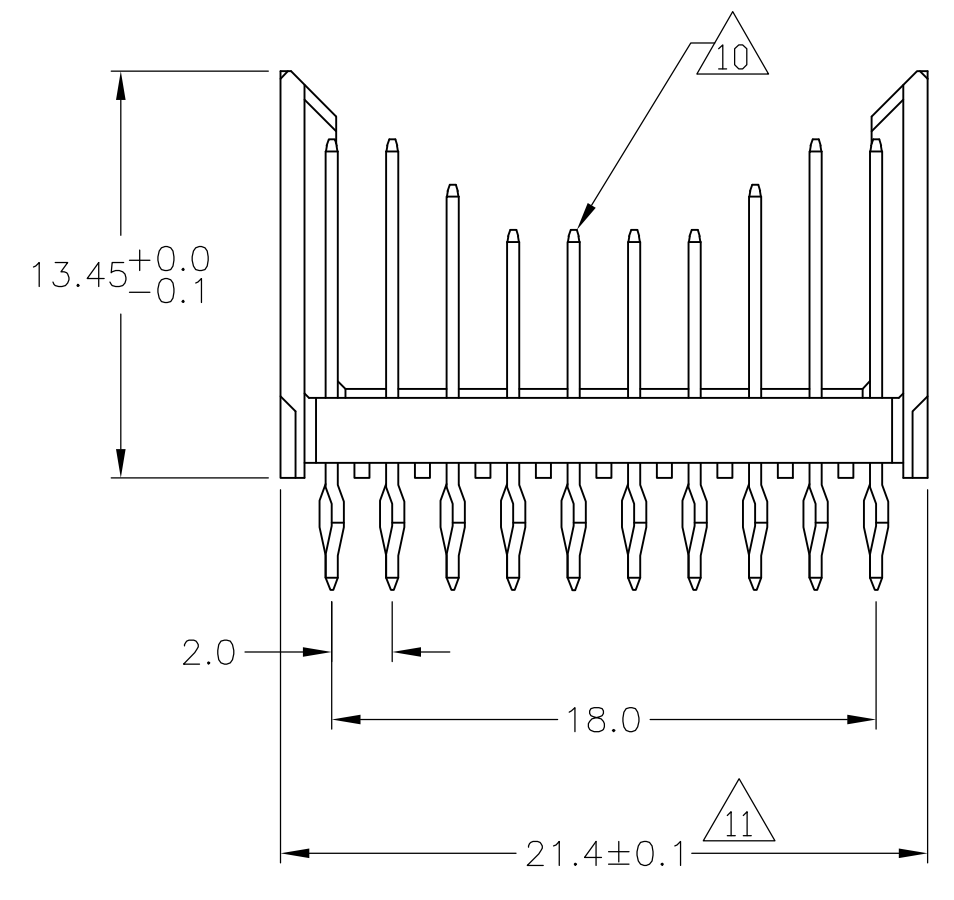
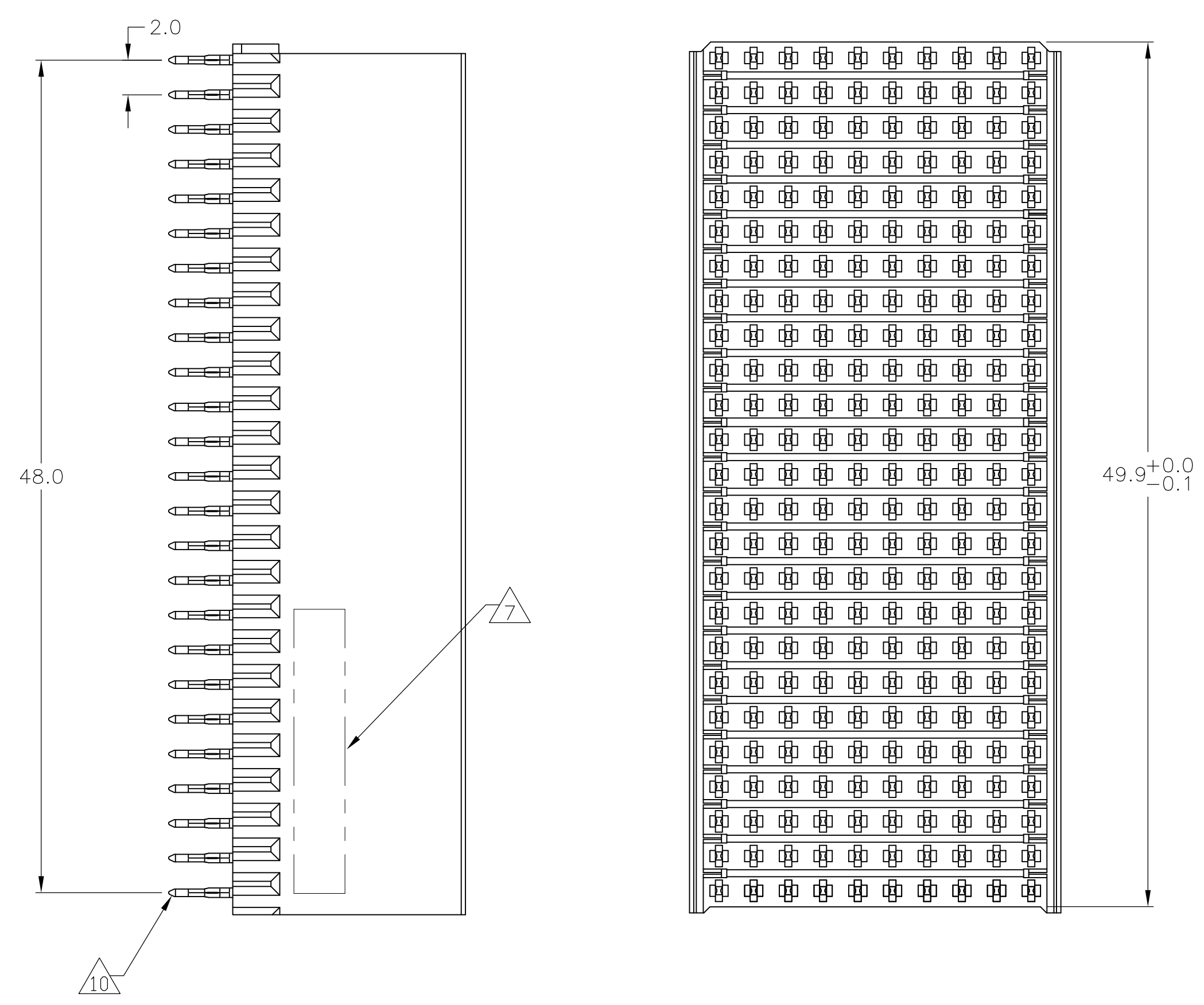


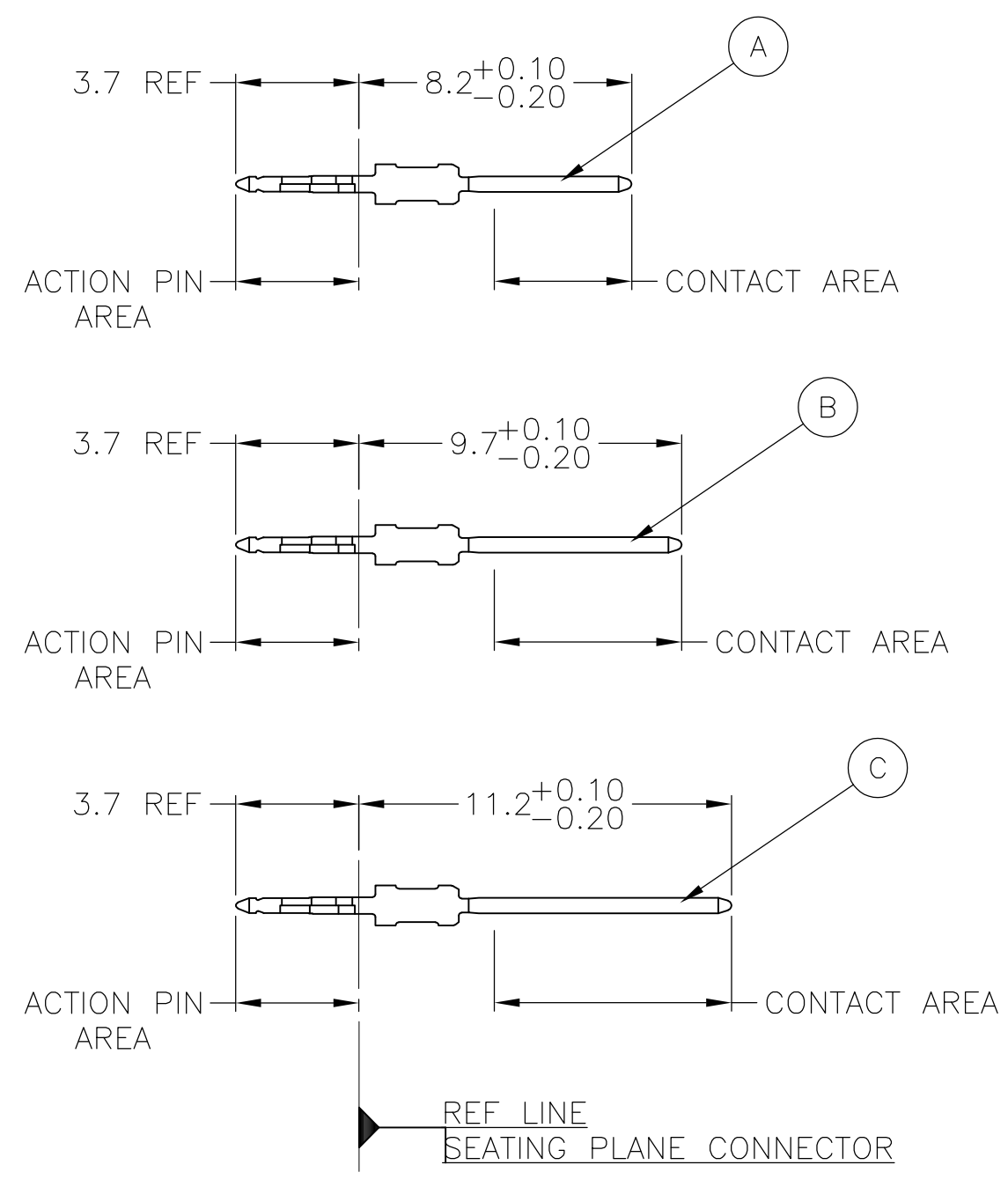
LOC		DIST		REVISIONS			
AD	00	REV	PER	DESCRIPTION	DATE	BY	APPROV
		C	REV PER EC	OS12-0303-05	05APR06	BC	GS
		C1	REVISED PER	ECO-10-000443	15JAN10	KK	AEG

CONNECTOR ASSEMBLY EXAMPLARY LOADED



CONTACT DIMENSIONS

SCALE 5:1

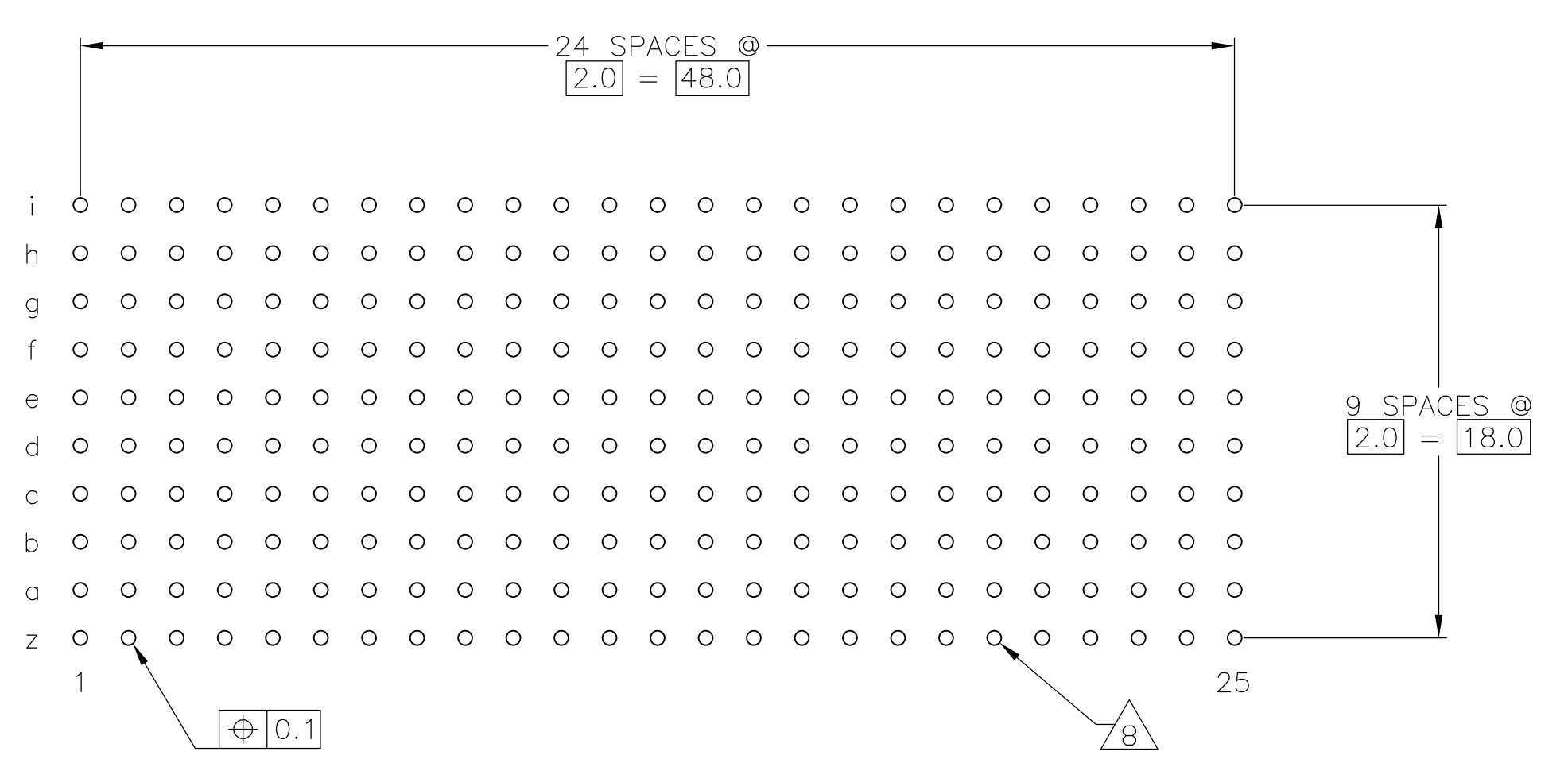


CONTACT LAYOUT

	z	a	b	c	d	e	f	g	h	i
1	C	C	B	A	A	A	A	B	C	C
2	C	C	B	A	A	A	A	B	C	C
3	C	C	B	A	A	A	A	B	C	C
4	C	C	B	A	A	A	A	B	C	C
5	C	C	B	A	A	A	A	B	C	C
6	C	C	B	A	A	A	A	B	C	C
7	C	C	B	A	A	A	A	B	C	C
8	C	C	B	A	A	A	A	B	C	C
9	C	C	B	A	A	A	A	B	C	C
10	C	C	B	A	A	A	A	B	C	C
11	C	C	B	A	A	A	A	B	C	C
12	C	C	B	A	A	A	A	B	C	C
13	C	C	B	A	A	A	A	B	C	C
14	C	C	B	A	A	A	A	B	C	C
15	C	C	B	A	A	A	A	B	C	C
16	C	C	B	A	A	A	A	B	C	C
17	C	C	B	A	A	A	A	B	C	C
18	C	C	B	A	A	A	A	B	C	C
19	C	C	B	A	A	A	A	B	C	C
20	C	C	B	A	A	A	A	B	C	C
21	C	C	B	A	A	A	A	B	C	C
22	C	C	B	A	A	A	A	B	C	C
23	C	C	B	A	A	A	A	B	C	C
24	C	C	B	A	A	A	A	B	C	C
25	C	C	B	A	A	A	A	B	C	C

RECOMMENDED PCB-HOLE LAYOUT COMPONENT SIDE SHOWN

PLATED THRU HOLES PARAMETERS
REFERENCE APPLICATION SPECIFICATION



13	2 6 12	1-646355-9
	2 5 12	646355-9
	2 4	646355-4
	2 3	-646355-1-
FINISH		PART NUMBER

THIS DRAWING IS A CONTROLLED DOCUMENT.

DIMENSIONS: mm	TOLERANCES UNLESS OTHERWISE SPECIFIED:	DIN S. WAITMAN 19JUL05	Tyco Electronics Corporation Harrisburg, Pa 17105-3608
0. PLC ± -	1. PLC ± 0.1	CHK: G. SKIPPER 19JUL05	APPROV: G. SKIPPER 19JUL05
2. PLC ± -	3. PLC ± -	NAME: MALE ASSEMBLY, Z-PACK 2mm HM, TYPE E	
4. PLC ANGLES ± 1°		PRODUCT SPEC: 108-1622	
		APPLICATION SPEC: 114-19029	
MATERIAL: 1	FINISH: SEE TABLE	WEIGHT: -	SIZE: A1
		CAGE CODE: 00779	DRAWING NO: 646355
		CUSTOMER DRAWING	SCALE: 4:1 SHEET: 1 OF 2 REV: C1

THIS DRAWING IS UNPUBLISHED. RELEASED FOR PUBLICATION
 © COPYRIGHT BY TYCO ELECTRONICS CORPORATION. ALL RIGHTS RESERVED.

LOC		DIST		REVISIONS				
P	LTR	DESCRIPTION	DATE	DN	APVD			
-	-	SEE SHEET 1	-	-	-			

- 1 MATERIAL:
CONTACT: PHOSPHOR BRONZE.
HOUSING: GLASS-FILLED POLYESTER.
- 2 GENERAL PLATING SPECIFICATION: UNDERPLATING
(ENTIRE CONTACT): 1.27µm MIN NICKEL AND ACTION
PIN: 0.5µm MIN TIN LEAD.
FOR PLATING OF MATING SURFACES SEE APPLICABLE
SPECIFICATION REFERENCE FOR EACH DASH NUMBER.
- 3 CONFORMS TO ALL TESTING ACCORDING TO IEC 61076-4-101
PERFORMANCE LEVEL 2.
- 4 CONFORMS TO ALL TESTING ACCORDING TO IEC 61076-4-101
PERFORMANCE LEVEL 1.
- 5 CONNECTOR TESTED AND QUALIFIED AGAINST TELCORDIA GR-1217-CORE QUALITY LEVEL 3,
CENTRAL OFFICE APPLICATIONS.
- 6 CONNECTOR TESTED AND QUALIFIED AGAINST TELCORDIA GR-1217-CORE QUALITY LEVEL 3,
UNCONTROLLED ENVIROMENT APPLICATIONS.
- 7 CONNECTOR MARKED WITH PART NUMBER AND DATE CODE.
ADDITIONAL CHARACTERS OR MARKINGS, AS WELL AS THE LOCATION OF THE MARKINGS,
MAY BE ADDED FOR TRACEABILITY BASED UPON MANUFACTURERS DISCRETION.
- 8 PLATED-THROUGH HOLES AT 2x2mm SQUARE GRID
PATTERN DEFINED BY CONTACT LAYOUT.
- 9 FOR ACTUAL PIN LOADING SEE "CONTACT LAYOUT".
- 10 FOR ACTUAL PIN DIMENSIONS SEE "CONTACT DIMENSIONS".
- 11 TO BE MEASURED AT BOTTOM OF SHROUD.
- 12 CONNECTOR LUBRICATED WITH BELCORE APPROVED LUBRICANT,
TECHNICAL REFERENCE: TR-NWT-001217 ISSUE 1, SEP 1992.
- 13 OBSOLETE PARTS: OBSOLETE CIS STREAMLINING PER D.RENAUD/D.SINISI

THIS DRAWING IS A CONTROLLED DOCUMENT.		DN S. WAITMAN 19JUL05	Tyco Electronics Corporation Harrisburg, Pa 17105-3608																		
DIMENSIONS: mm		CHK G. SKIPPER 19JUL05	NAME MALE ASSEMBLY, Z-PACK 2mm HM, TYPE E																		
TOLERANCES UNLESS OTHERWISE SPECIFIED:		APVD G. SKIPPER 19JUL05	PRODUCT SPEC 108-1622																		
<table border="0"> <tr><td>0. PLC</td><td>±</td><td>-</td></tr> <tr><td>1. PLC</td><td>±</td><td>0.1</td></tr> <tr><td>2. PLC</td><td>±</td><td>-</td></tr> <tr><td>3. PLC</td><td>±</td><td>-</td></tr> <tr><td>4. PLC</td><td>±</td><td>-</td></tr> <tr><td>ANGLES</td><td>±</td><td>1°</td></tr> </table>		0. PLC	±	-	1. PLC	±	0.1	2. PLC	±	-	3. PLC	±	-	4. PLC	±	-	ANGLES	±	1°	APPLICATION SPEC 114-19029	
0. PLC	±	-																			
1. PLC	±	0.1																			
2. PLC	±	-																			
3. PLC	±	-																			
4. PLC	±	-																			
ANGLES	±	1°																			
MATERIAL SEE SHEET 1	FINISH SEE SHEET 1	WEIGHT -	SIZE A1	CAGE CODE 00779																	
CUSTOMER DRAWING		DRAWING NO C=646355	RESTRICTED TO -	SCALE 4:1																	
		SHEET 2	OF 2	REV C1																	