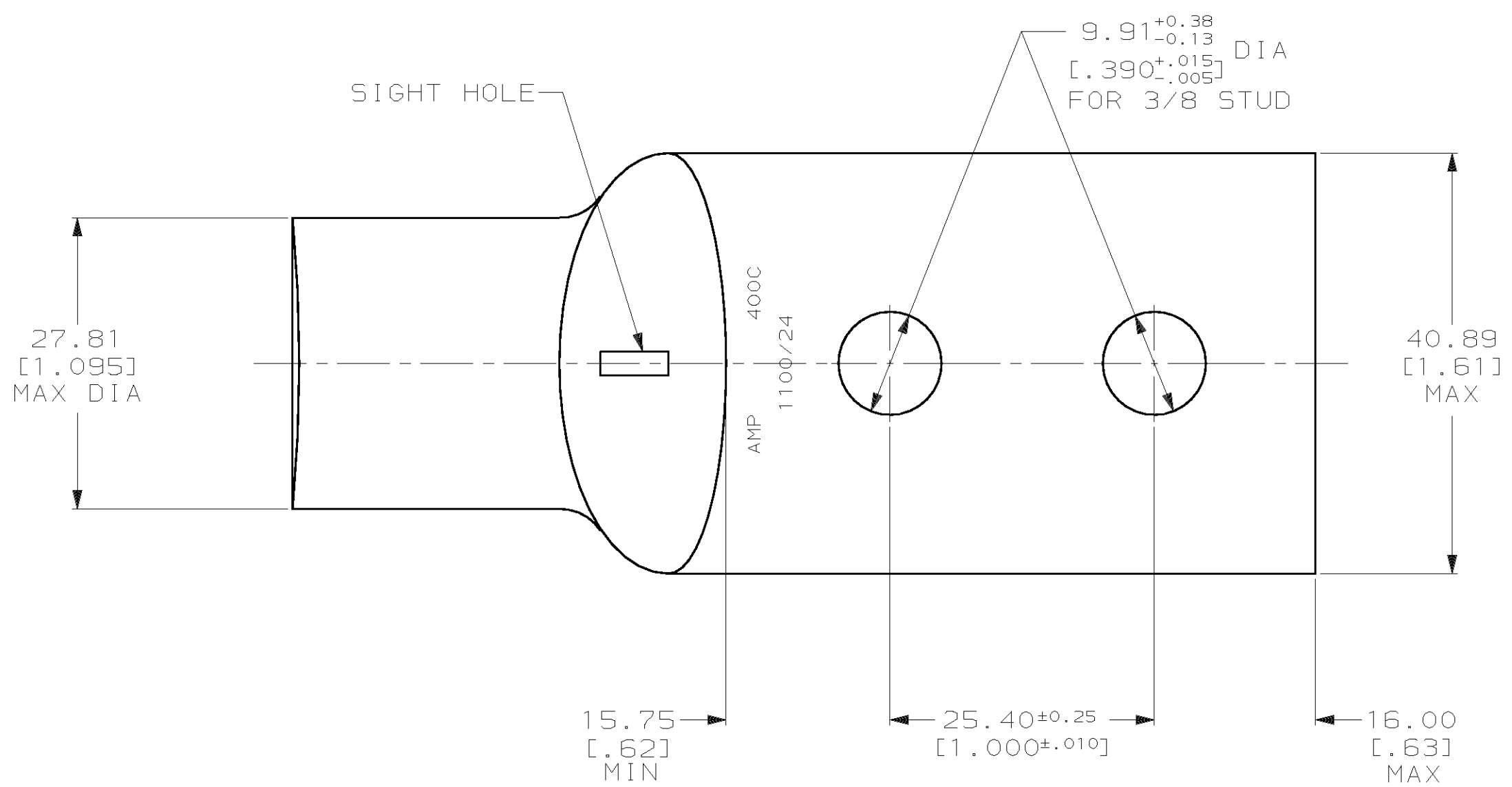
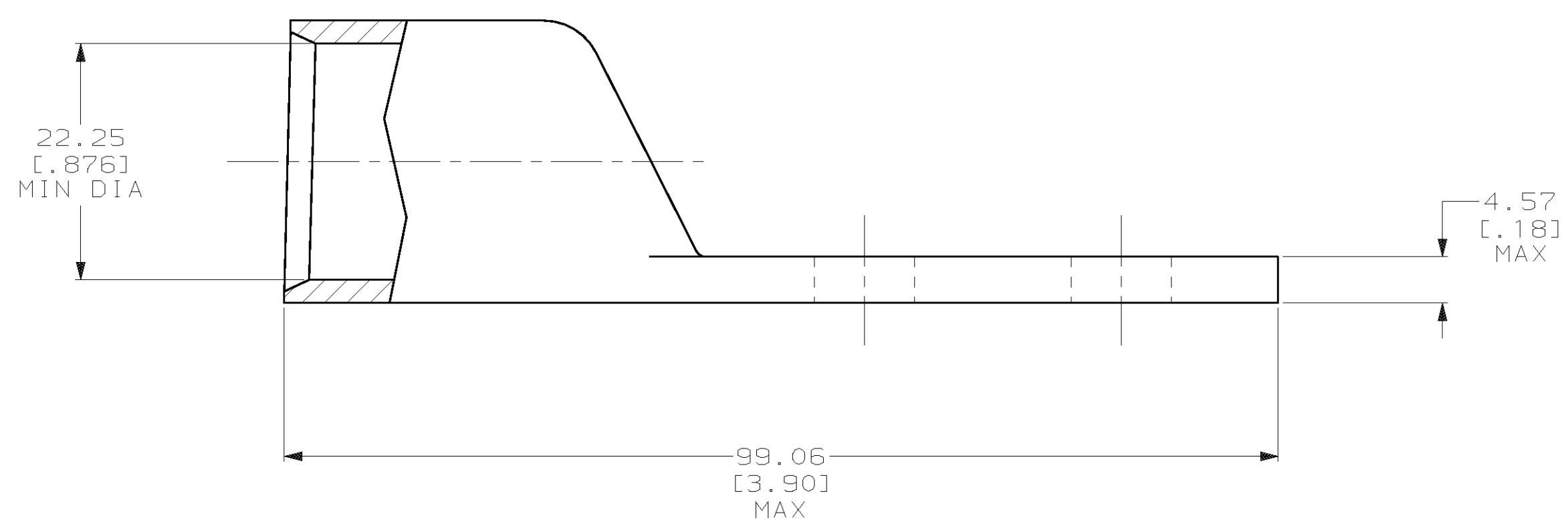


THIS DRAWING IS UNPUBLISHED. RELEASED FOR PUBLICATION ,19 .
 © COPYRIGHT 19 BY AMP INCORPORATED. ALL INTERNATIONAL RIGHTS RESERVED.

LOC		DIST		P		F		ZONE		LTR		REVISIONS		DATE	APPD	
G		86											U	REV PER 0G3A-0561-01	090CT02	JR/MS



- 1 CIRCULAR MIL AREA RANGE: 375-450 MCM
- 2 TIN PL 0.00381 [.000150] MIN THK PER ASTM B-545
- 3 NO SIGHT HOLE



3	326807-2
	326807
	PART NO

DO NOT SCALE PRINT. UNLESS SPECIFIED DIMENSIONS IN mm [INCHES] TOLERANCES ON : 2 PLC DEC ± 0.51 [.020] 3 PLC DEC ± - ANGLES ± -	DR 02/28/90 DK SCHRUM	AMP INCORPORATED Harrisburg, Pa. 17105		
	CHK 23JAN95 MS FEHER			NAME
MATERIAL	APPD 23JAN95 WJ VOCKROTH	TERMINAL, AMPPOWER™ WIRE SIZE: 400 MCM		
ANNEALED COPPER ASTM B-75	APPD 23JAN95 TL SHUTTER			
FINISH	PRODUCT SPEC 108-30200	SIZE	CAGE CODE	DRAWING NO
	APPLICATION SPEC -	C	00779	326807
	WEIGHT .308 LB	SCALE	2:1	SHEET 1 OF 1

