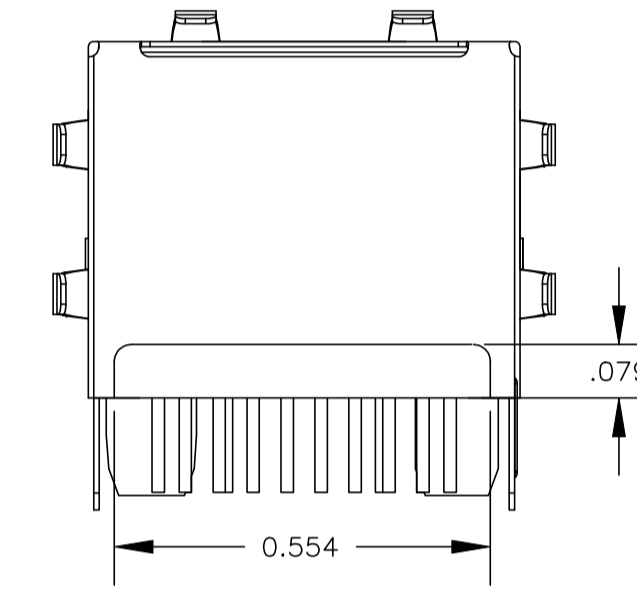
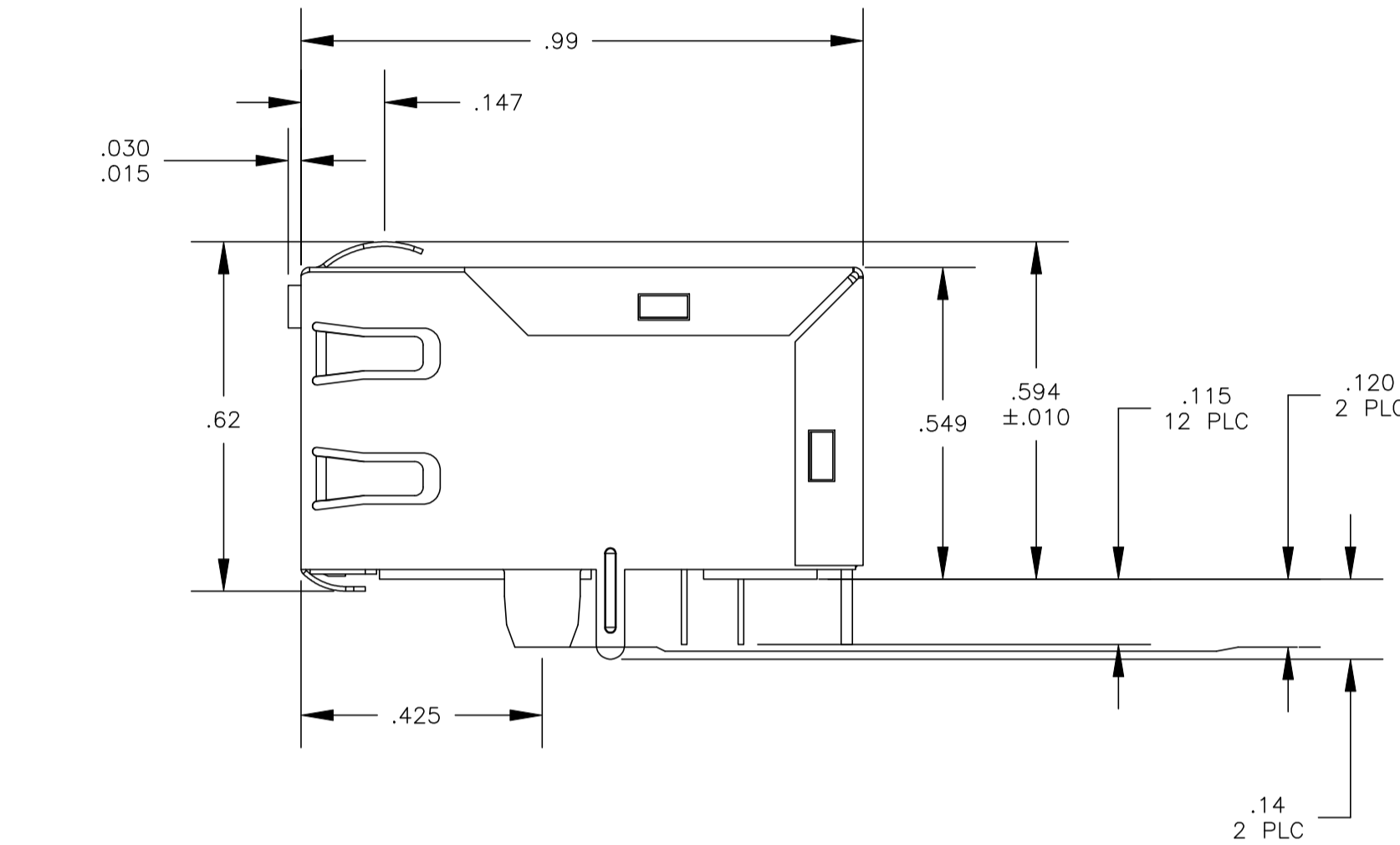
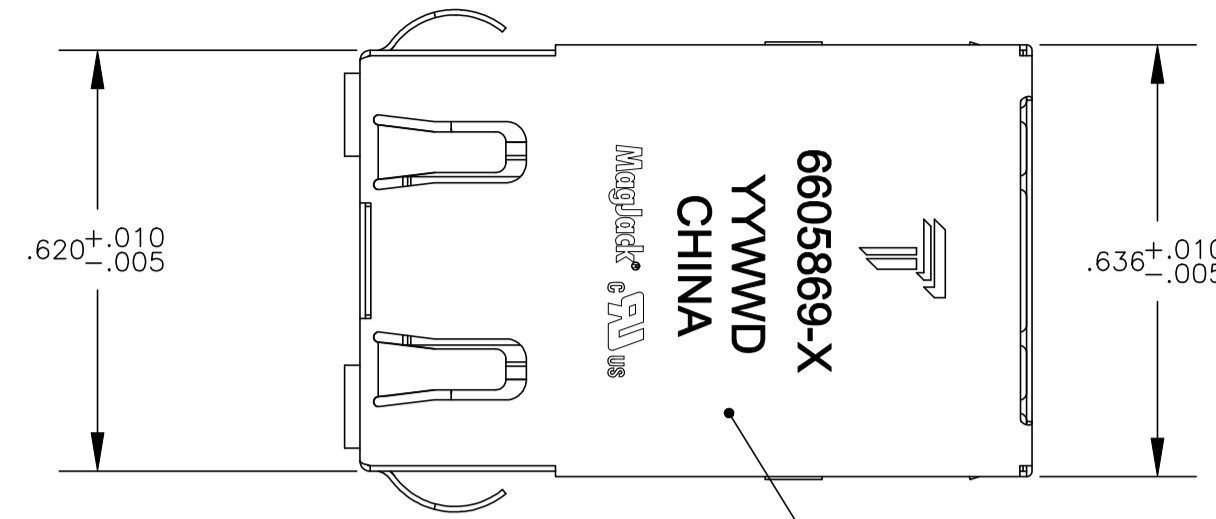


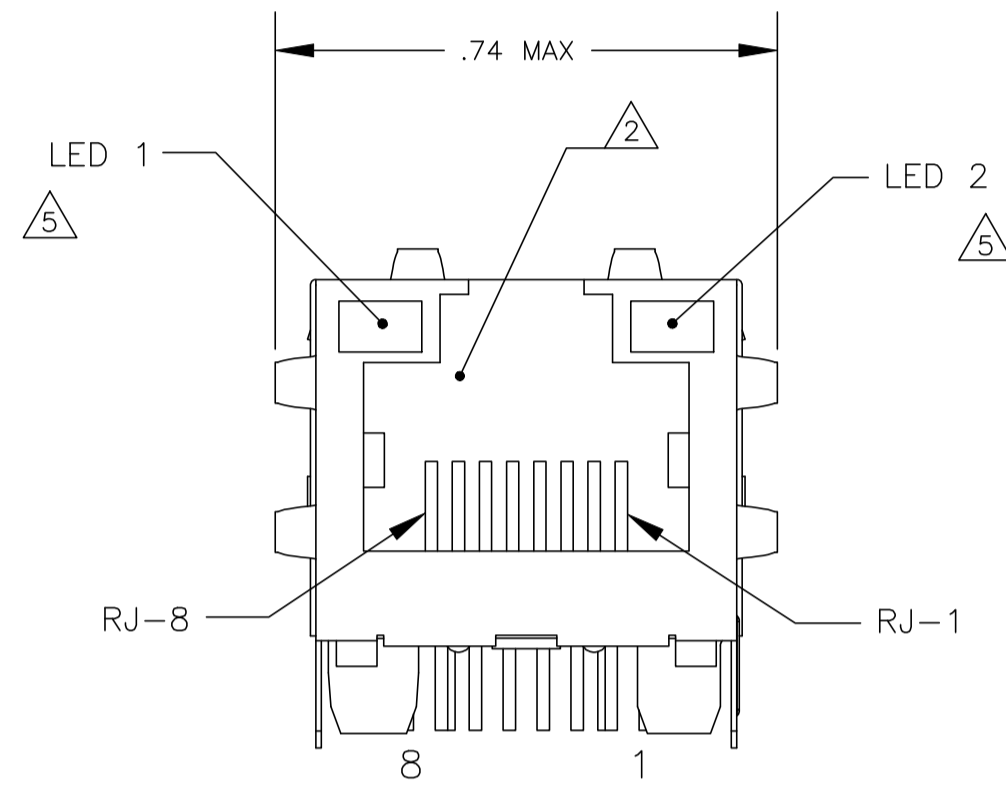
THIS DRAWING AND THE SUBJECT MATTER SHOWN THEREON ARE CONFIDENTIAL AND THE PROPERTY OF BEL/STEWART/TRP CONNECTOR AND SHALL NOT BE REPRODUCED, COPIED, OR USED IN ANY MANNER WITHOUT THE WRITTEN CONSENT OF TRP CONNECTOR.

PRODUCT MAY BE PROTECTED BY ONE OR MORE OF THE FOLLOWING US PATENTS:
 5736910 5939955 6425781 6428361 6554638 6840817 7123117
 7429195 7717749 7808751 6217391 6149050 7924130

REVISIONS				
P	LYR	DESCRIPTION	DATE	APVD
J		EC-1411035 COMPANY LOGO CHANGE	07JAN2015	HY KZ

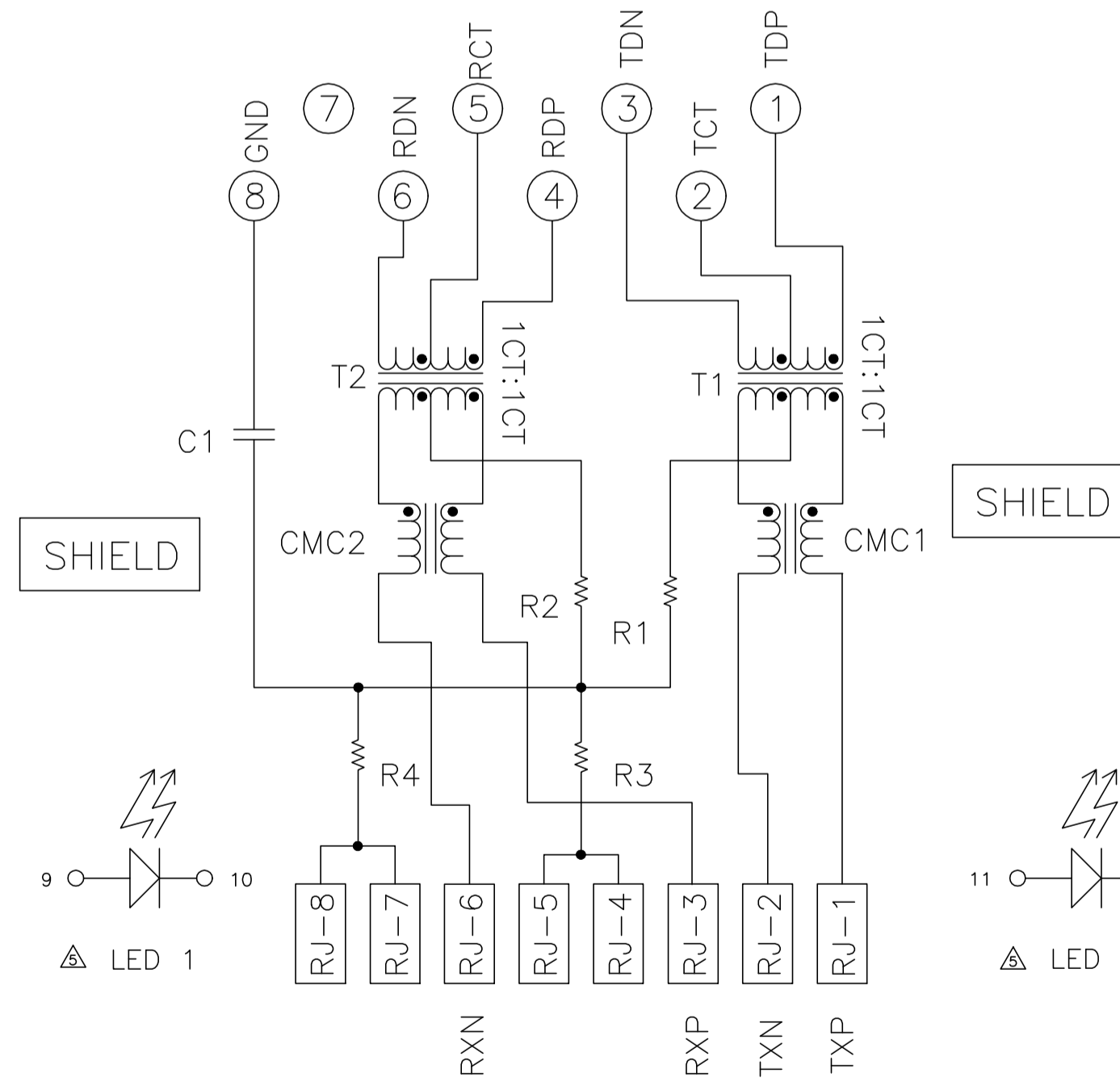


1. MATERIALS:
 HOUSING - THERMOPLASTIC PET POLYESTER FLAMMABILITY RATING UL 94V-0.
 SHIELD - .008" THICK, C26800 BRASS PREPLATED WITH 30μINCH MIN SEMI-BRIGHT NICKEL; SOLDER TABS POST-DIPPED WITH SAC SOLDER.
 MOD JACK CONTACTS - .0157" x .018" PHOSPHOR BRONZE, 50μINCH MIN OVERALL NICKEL UNDERPLATE, WITH SELECT 50μINCH MIN HARD GOLD FINISH PLATE. SOLDER TAILS WITH 100μINCH MIN MATTE TIN AND/OR SAC SOLDER DIP.
 LIGHT EMITTING DIODE(LED) - DIFFUSED EPOXY LENS, .020" x .020" CARBON STEEL WIREFRAME LEADS PREPLATED WITH 80μINCH SILVER OVER 40μINCH NICKEL UNDERPLATE OVER 40μINCH COPPER UNDERPLATE; POST-PLATED WITH 100μINCH MIN MATTE TIN AND/OR SAC SOLDER DIP OR PURE TIN SOLDER DIP.
2. RJ45 JACK CAVITY CONFORMS TO FCC RULES AND REGULATIONS PART 68, SUB PART F.
3. MAGNETICS
 -APPLICATION: 10/100 BASE-T
 -IMPEDANCE: 100 OHMS
 -TURNS RATIO (CHIP:CABLE): TX = 1:1, RX = 1:1
 -OPEN CIRCUIT INDUCTANCE (OCL): 350μH MIN @100kHz, 0.1VRMS, 8mADC BIAS FROM 0°C TO 70°C, TX AND RX
 -PERFORMANCE @ 25°C:
 INSERTION LOSS (IL): 1.1dB MAX FROM 0.5MHz TO 100MHz
 RETURN LOSS (RL): 18dB MIN FROM 0.5MHz TO 30MHz
 18-20LOG(f/30)dB MIN FROM 30.1MHz TO 60MHz
 12dB MIN FROM 60.1MHz TO 80MHz
 CROSSTALK ATTENUATION: 35dB MIN FROM 0.5MHz TO 4.0MHz
 33-20LOG(f/50)dB MIN FROM 4.01MHz TO 100MHz
 COMMON MODE REJECTION RATIO (CMRR): 30dB MIN FROM 0.5MHz TO 100MHz
 ISOLATION VOLTAGE: 2250VDC (MAX) FOR 60 SECONDS WITH A RISE TIME OF 500V/SEC.
4. OPERATING TEMPERATURE: FROM 0°C TO +70°C.
5. LEDS WITHOUT BUILT-IN RESISTOR
 LEDS ARE DRIVEN WITH CONSTANT CURRENT AT APPROX 20 mA
 LED COLOR: DOMINANT WAVELENGTH (λD): GREEN 568 nm TYP @ IF=20 mA
 FORWARD VOLTAGE (VF): GREEN 2.2V TYP @ IF=20 mA
 DOMINANT WAVELENGTH (λD): YELLOW 588 nm TYP @ IF=20 mA
 FORWARD VOLTAGE (VF): YELLOW 2.1V TYP @ IF=20 mA
6. INDICATED CONNECTIONS ARE FOR NIC CONFIGURATION. THE MAGNETICS ARE SYMMETRIC, AND SUPPORT AUTO-MDI/MDIX.
7. TRP CONNECTOR LOGO, PART NUMBER, DATE CODE, COUNTRY OF ORIGIN AND AGENCY APPROVAL MARKING IN APPROXIMATE LOCATION SHOWN.
8. THESE PARTS ARE RECOMMENDED FOR WAVE SOLDERING PROCESS, PREHEAT TEMPERATURE IS 120°C TO 160°C, 120 SECONDS TO 180 SECONDS. PEAK WAVE SOLDERING TEMPERATURE IS 260°C MAX, 10 SECONDS MAX.

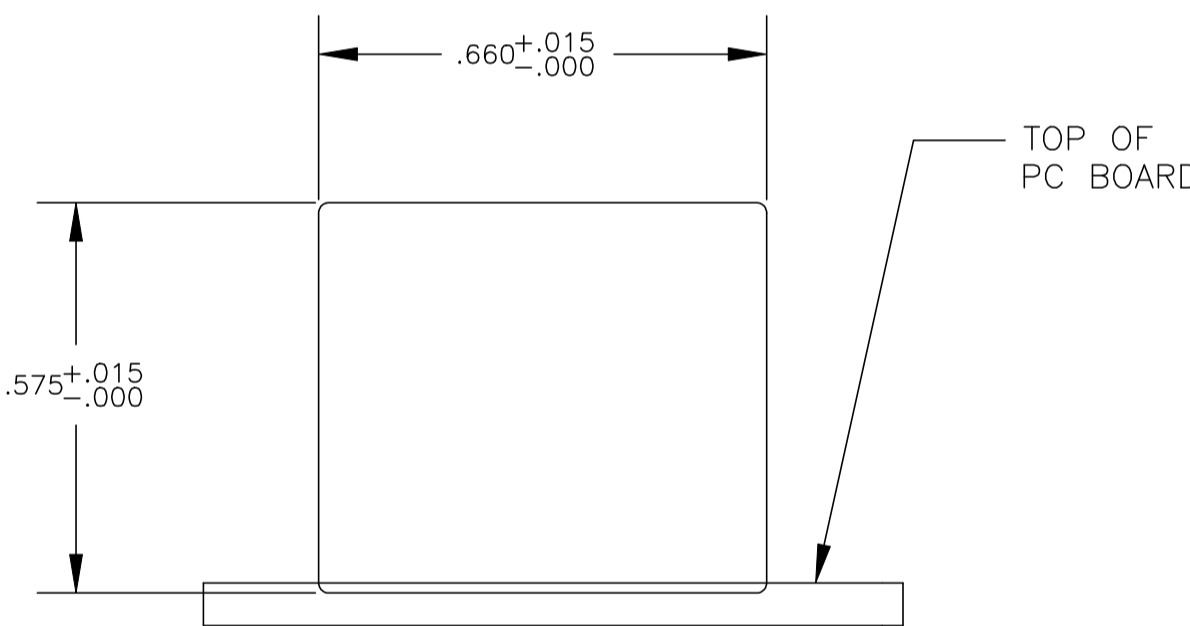


ELECTRICAL:

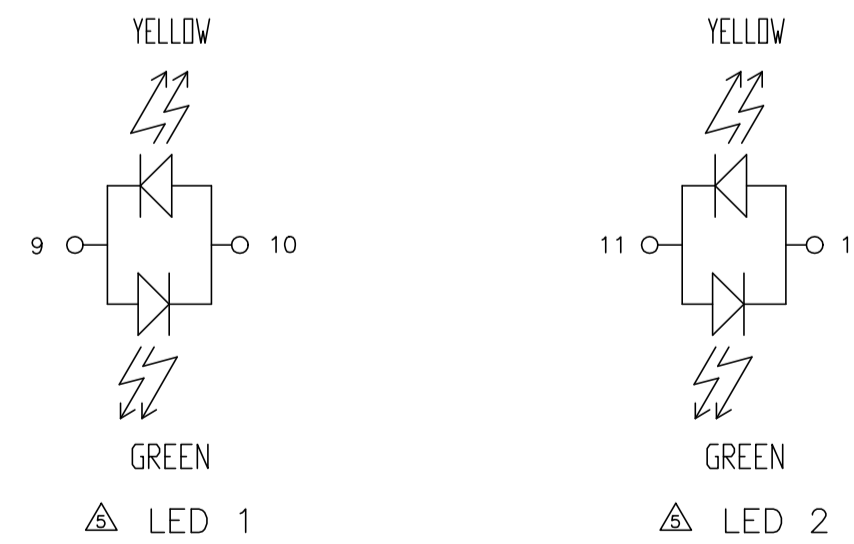
26P1 MAGNETIC SCHEMATIC:



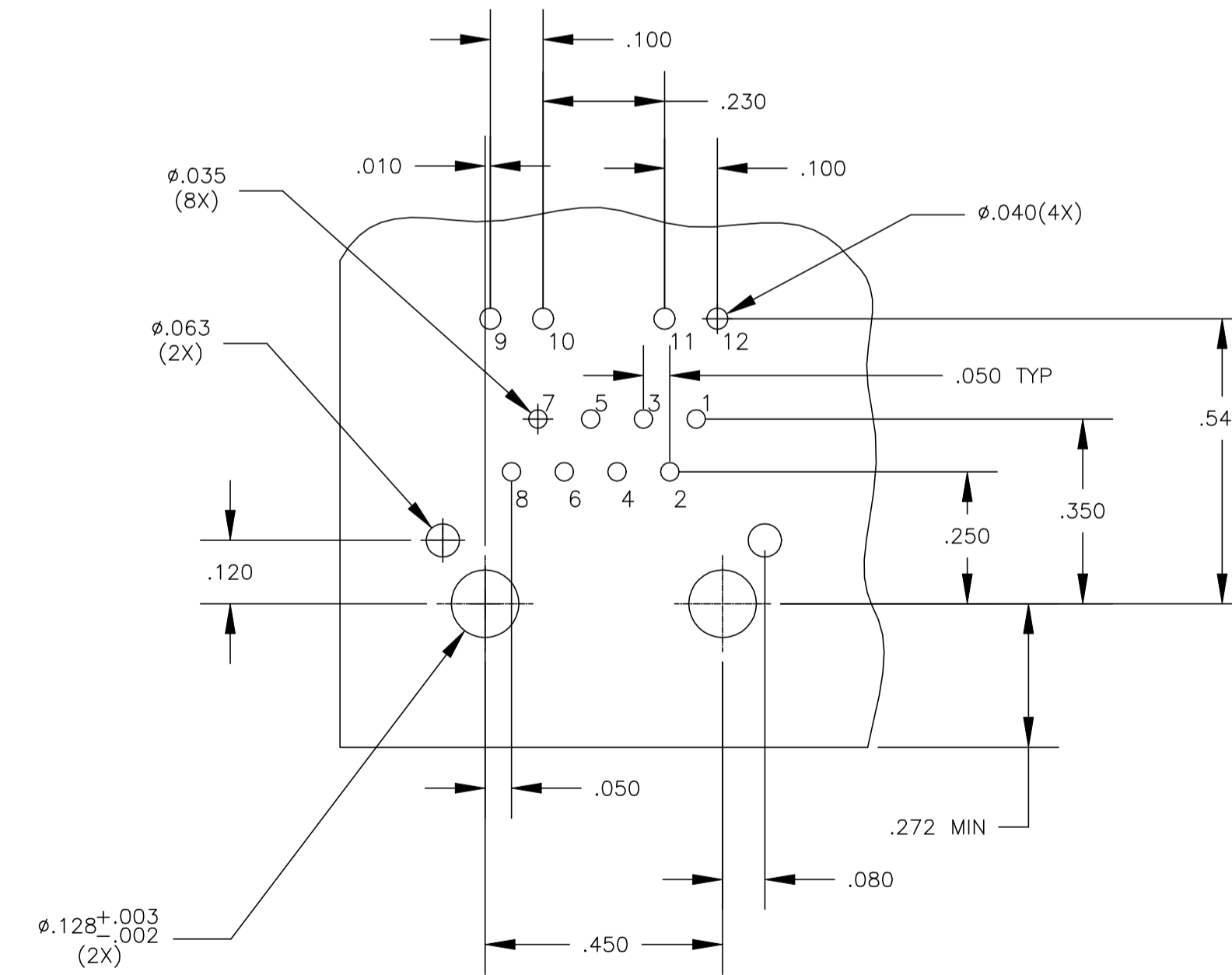
C1=1000 pF, 2kV CAPACITOR
 R1-R4 =75 Ohms, 1/16 W RESISTORS



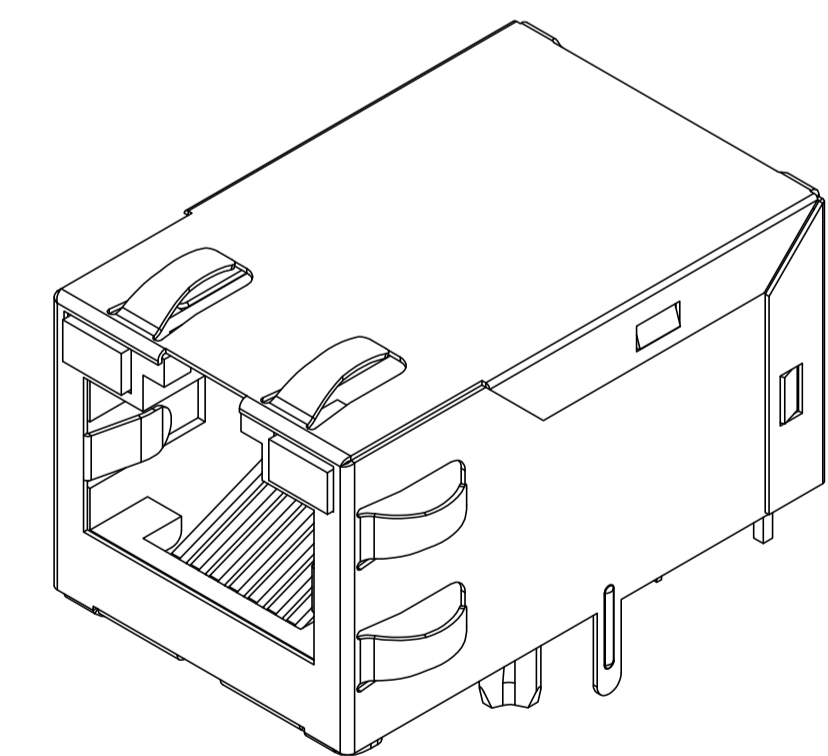
SUGGESTED PANEL CUTOUT



LED CONFIGURATION FOR 6605869-6 ONLY



SUGGESTED PC BOARD LAYOUT (Component Side)



GREEN	YELLOW	5-6605869-8
GREEN	GREEN	5-6605869-7
YELLOW	GREEN	6605869-9
GREEN/YELLOW	GREEN/YELLOW	6605869-6
LED 1	LED 2	PART NUMBER

DIMENSIONS:		TOLERANCES UNLESS OTHERWISE SPECIFIED:	
INCHES:		0 PLC	± -
		1 PLC	± .01
		2 PLC	± .02
		3 PLC	± .005
		4 PLC	± .002
		ANGLES	± -
PRODUCT SPEC	108-2100	APPLICATION SPEC	-

THIS DRAWING IS A CONTROLLED DOCUMENT.		DWN C GILLETTE 29AUG2005	
CHK D FAROLE 31AUG2005		APVD S FLICKINGER 31AUG2005	
MODEL NAME		DESC	
MAGJACK SINGLE		1X1 26P1 10/100 TAB UP W/ LED	
NON-POE		SIZE	
CUSTOMER DRAWING		CAGE CODE	
SCALE		DRAWING NO	
NTS		C-6605869	
SHEET		RESTRICTED TO	
1 OF 1		-	
REV		J	

