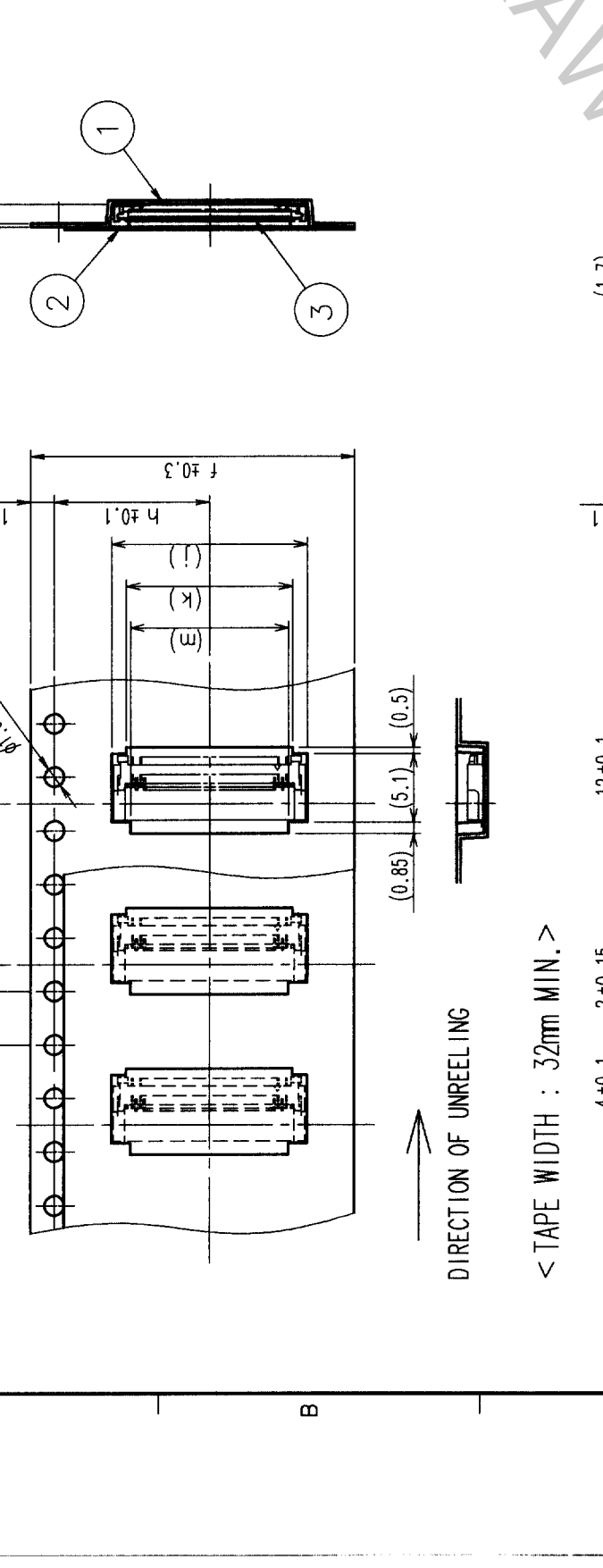
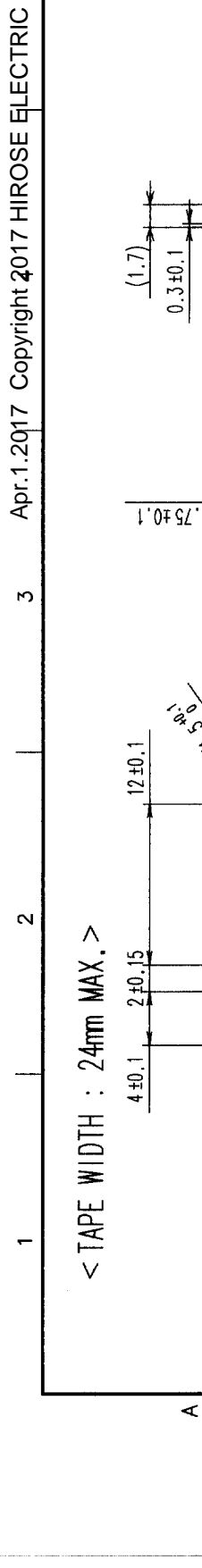
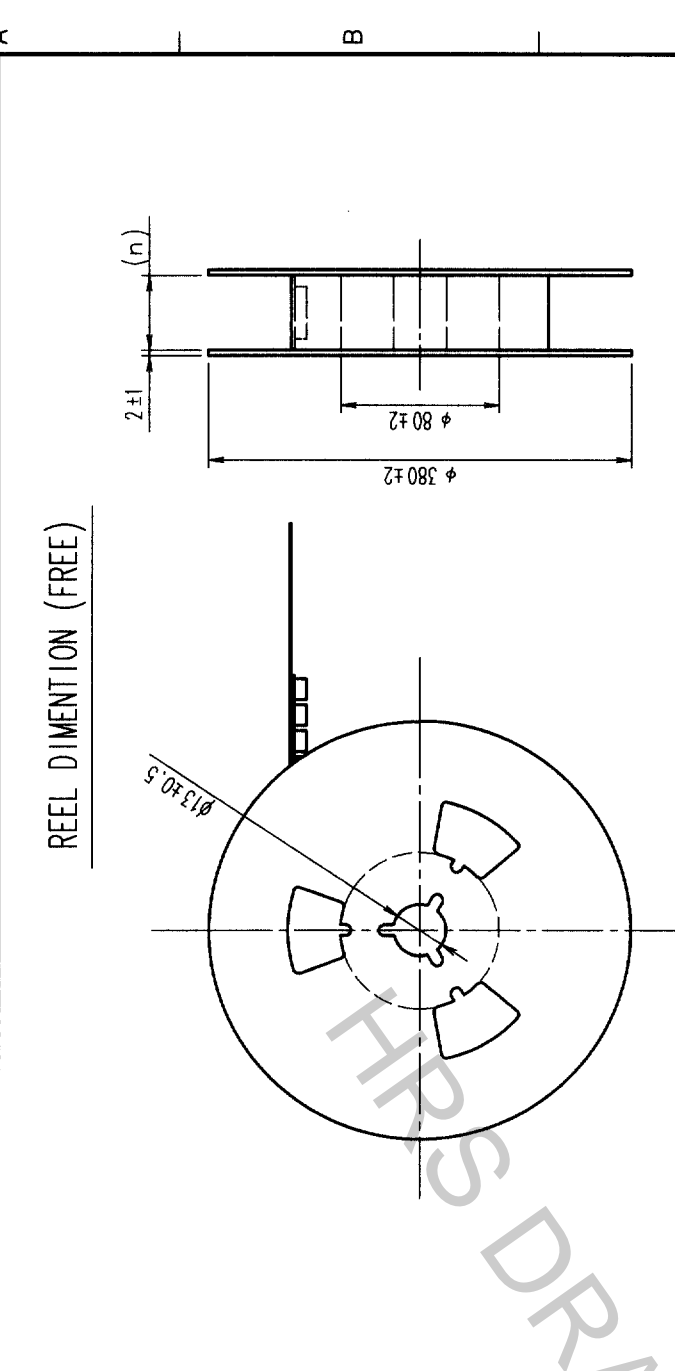


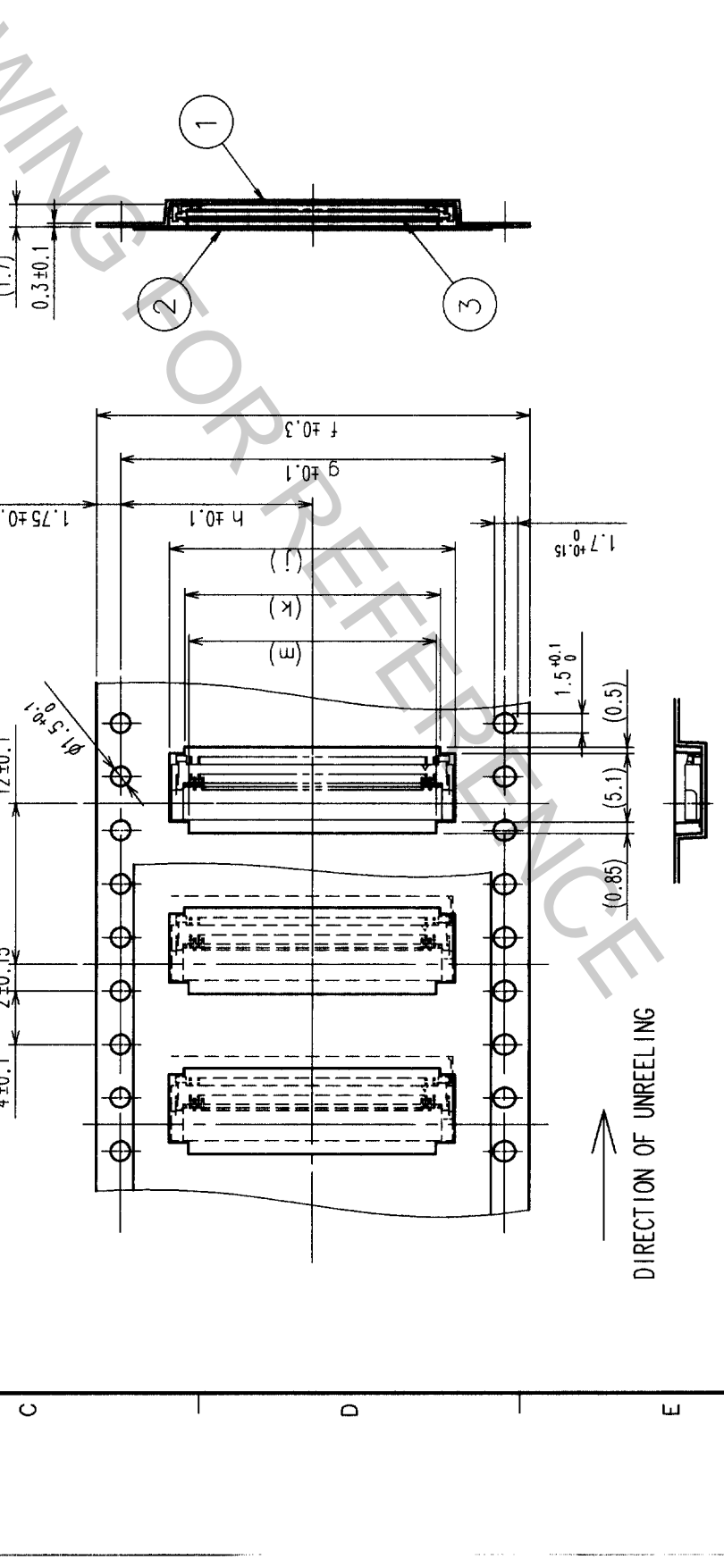
COUNT	DESCRIPTION OF REVISIONS	BY	CHKD	DATE	COUNT	DESCRIPTION OF REVISIONS	BY	CHKD	DATE
△					△				
△					△				
△					△				



NOTES 1 THE DIMENSIONS IN PARENTHESES ARE FOR REFERENCE.
2 PER REEL : 2500 CONNECTORS.

DIMENTION MATRIX

PRT. NO.	CODE NO.	PHOTO OF CONTACT	f	g	h	i	j	k	m	n
FH23-15S-0.3SHAW(05)	CL586-1316-7-05	15	16	16	7.5	7.3	5.1	4.5	16.5	
FH23-17S-0.3SHAW(05)	CL586-1301-0-05	17	16	16	7.5	7.9	5.7	5.1	16.5	
FH23-21S-0.3SHAW(05)	CL586-1315-4-05	21	16	16	7.5	9.1	6.9	6.3	16.5	
FH23-25S-0.3SHAW(05)	CL586-1323-2-05	25	24	24	11.5	10.3	8.1	7.5	24.5	
FH23-27S-0.3SHAW(05)	CL586-1309-1-05	27	24	24	11.5	10.9	8.7	8.1	24.5	
FH23-31S-0.3SHAW(05)	CL586-1303-5-05	31	24	24	11.5	12.1	9.9	9.3	24.5	
FH23-33S-0.3SHAW(05)	CL586-1305-0-05	33	24	24	11.5	12.7	10.5	9.9	24.5	
FH23-39S-0.3SHAW(05)	CL586-1307-6-05	39	24	24	11.5	14.5	12.3	11.7	24.5	
FH23-45S-0.3SHAW(05)	CL586-1319-5-05	45	24	24	11.5	16.3	14.1	13.5	24.5	
FH23-51S-0.3SHAW(05)	CL586-1313-9-05	51	24	24	11.5	18.1	15.9	15.3	24.5	
FH23-61S-0.3SHAW(05)	CL586-1311-3-05	61	32	28.4	14.2	21.1	18.9	18.3	32.5	
FH23-71S-0.3SHAW(05)	CL586-1321-7-05	71	44	40.4	20.2	24.1	21.9	21.3	44.5	



NO.	MATERIAL	FINISH, REMARKS	NO.	MATERIAL	FINISH, REMARKS
2	POLYESTER		4		
1	POLYSTYRENE		3	(CONNECTOR)	

CODE NO. (OLD)	DRAWN	DESIGNED	CHECKED	APPROVED	RELEASED
	S. OKAMURA 02.11.11	S. OKAMURA 02.11.11	R. Takayama 02.11.11	<i>[Signature]</i> 02.11.12	

DRAWING NO.	PART NO.
EDC3-153685-01	FH23-*S-0.3SHAW(05)

SCALE	UNITS	CODE NO.
2 : 1	mm	CL586-

