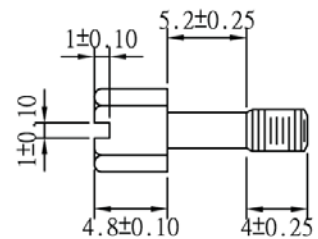
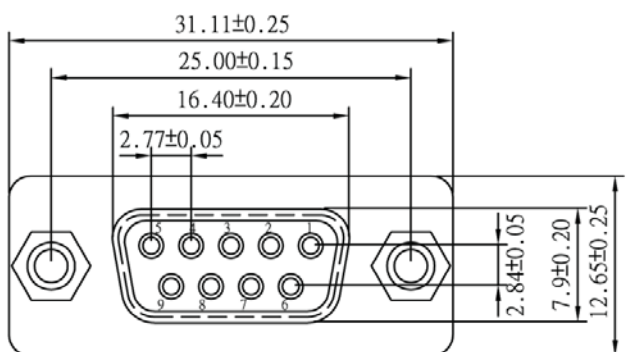
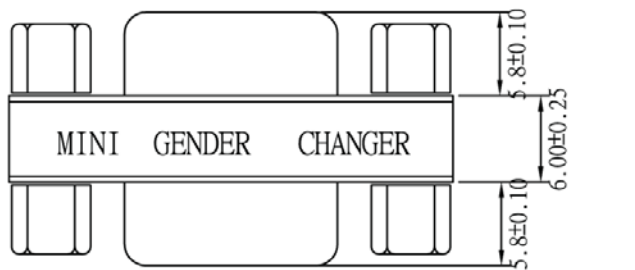
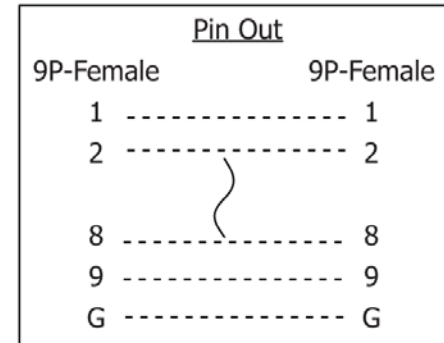
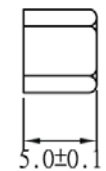


UNC #4-40 Hexscrew



UNC #4-40 Hexnut



Material:

- Insulator: PBT Glass fibre reinforced UL 94 V0
- Contact: Brass
- Contact plating: Gold plated over nickel
- Shell: Tin plated shell
- Yellow label with black characters

Unit: MM



Scale	1:1					Name	Item No.
TOLERANCE					Drawn	11.22.11	AB411
X.X	±0.40				Approved	Chappell	
X.XX	±0.25						
X.XXX	±0.15						
Angle	±3°						Title
							Mini Gender Changer - D-Sub 9 Pin Female <=> D-Sub 9 Pin Female
							Drawing No.
							rev00
							Replace
							Sheet

