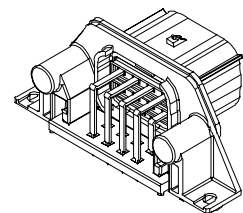


13 12 11 10 9 8 7 6 5 4 3 2 1

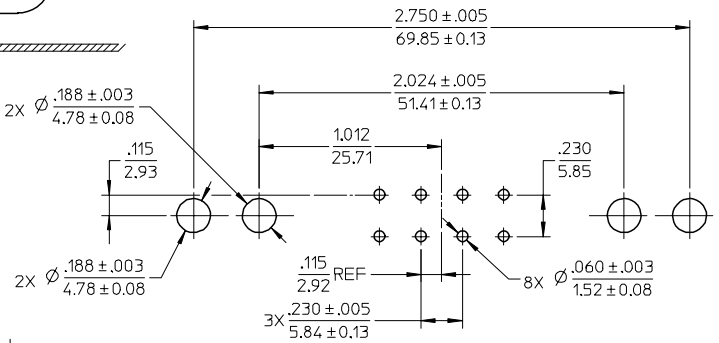
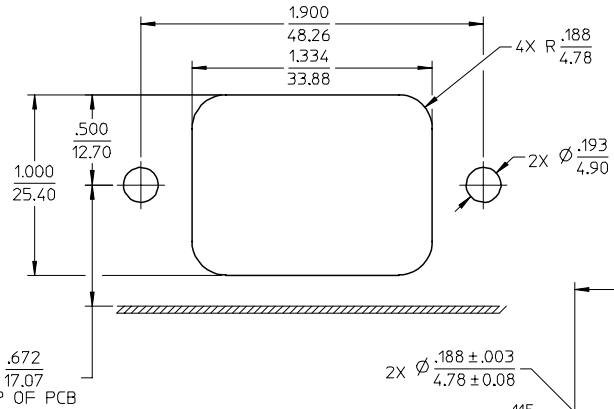
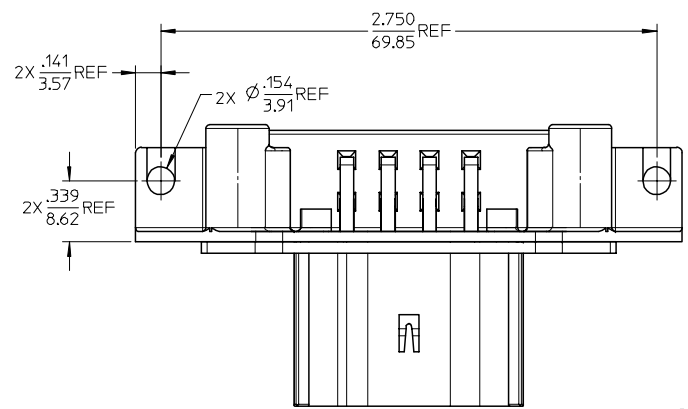
J  
I  
H  
G  
F  
E  
D  
C  
B  
A

J  
I  
H  
G  
F  
E  
D  
C  
B  
A

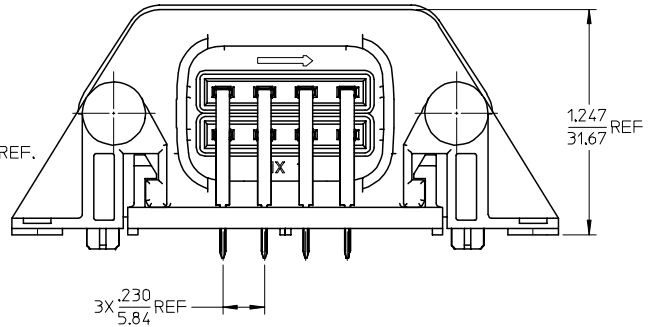
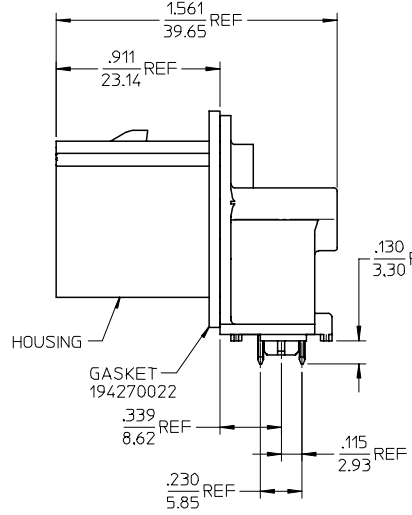
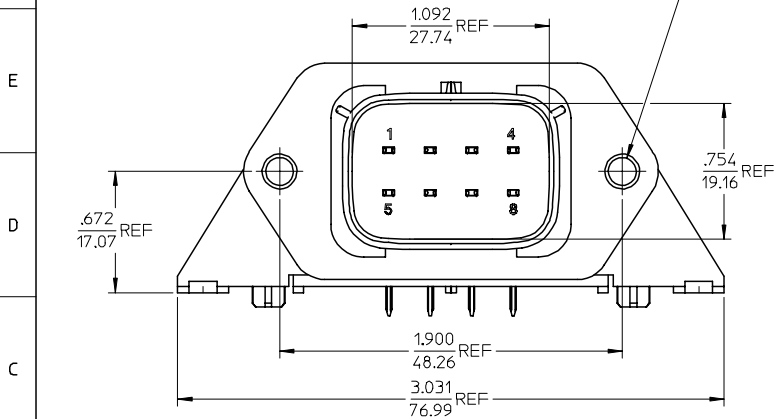
RECOMMENDED PANEL MOUNT OPENING  
MAX PANEL THK .080/2.03



ASSEMBLED VIEW  
SCALE 1:1



RECOMMENDED PCB LAYOUT  
COMPONENTS SIDE  
TOLERANCES ARE NON-ACCUMULATIVE



NOTES:

- MATERIALS:  
HOUSING: POLYESTER (PBT), GLASS FILLED, UL94 V-0,  
COLOR: BLACK  
TERMINALS: COPPER ALLOY
- FINISHES: 1. TIN ONLY; 100µM TIN OVER 50µM NICKEL  
2. TIN/GOLD; 30µM SELECT GOLD (CONTACT MATING AREA),  
100µM SELECT TIN (PCB TAIL AREA) OVER 50µM NICKEL OVERALL.
- PRODUCT SPECIFICATION: PS-19427-001.
- PACKAGING SPECIFICATION: PK-19427-001.
- MATES WITH: 19418 SERIES RECEPTACLE ASSEMBLIES.
- RECOMMENDED MOUNTING HARDWARE: (2) #10 X .62/18.9 LONG PLASTIC  
THREAD CUTTING SCREWS. RECOMMENDED TORQUE 15-17 IN-LBS.  
SUGGESTED SOURCE: ITW SHAKEPROOF INDUSTRIAL BOSSCREW OR EQUIVALENT.

MATERIAL NO.	TERMINAL PLATING
194270098	TIN
194270114	TIN/GOLD

<b>REVISED</b> EC NO: ETC2006-0028 DRWN: JPAML/CK 2005/10/10 CHKD: JPAML/CK 2005/10/11 APPR: RDEROSS 2005/10/11 REV DESCRIPTION	QUALITY SYMBOLS	GENERAL TOLERANCES (UNLESS SPECIFIED)	DIMENSION STYLE	SCALE	DESIGN UNITS	THIRD ANGLE PROJECTION
	▽=0 ▽=0	mm INCH 4 PLACES ± --- ± --- 3 PLACES ± --- ± .015 2 PLACES ± 0.38 ± --- 1 PLACE ± --- ± --- ANGULAR ± 1 °	IN/MM	2:1	INCH	☉ ☐ THIRD ANGLE PROJECTION
		DRAFT WHERE APPLICABLE MUST REMAIN WITHIN DIMENSIONS	DRAWN BY: DMYRICK CHECKED BY: JPAML/CK APPROVED BY: RDEROSS DATE: 04/07/26 DATE: 04/07/26 DATE: 04/07/26	TITLE	8 WAY RIGHT ANGLE HEADER ASSEMBLY WITH MOUNTING HOLES	
			MATERIAL NO. SD-19427-014	DOCUMENT NO.	MOLEX INCORPORATED SHEET NO. 1 OF 1	

12 11 10 9 8 7 6 5 4 3 2 1