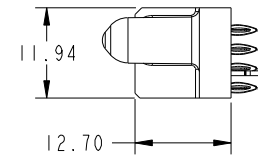
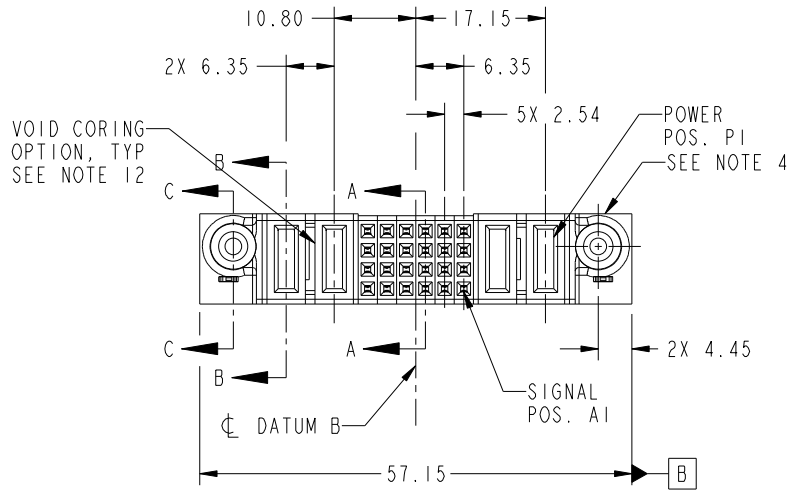


PRODUCT NO.	ROWS	POWER		SIGNAL							POWER		E1		
		E2	P4	P3	6	5	4	3	2	1	P2	P1			
51750-116-- NOTE: 3	D C B A		PF	PC	F	F	F	F	F	F	F	F	PF	PC	



CODE	DIM "M" MATING LENGTH	CONTACT TYPE
PC	[1.07]	POWER
F	[N/A]	SIGNAL
HA	[N/A]	HOLD-DOWN
PF	[2.34]	POWER

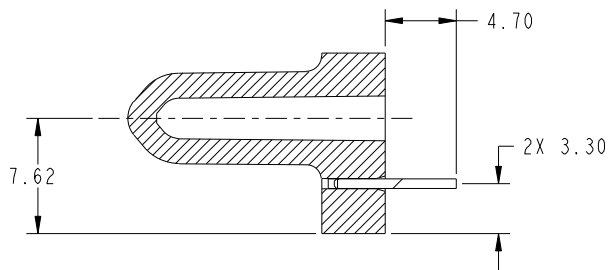
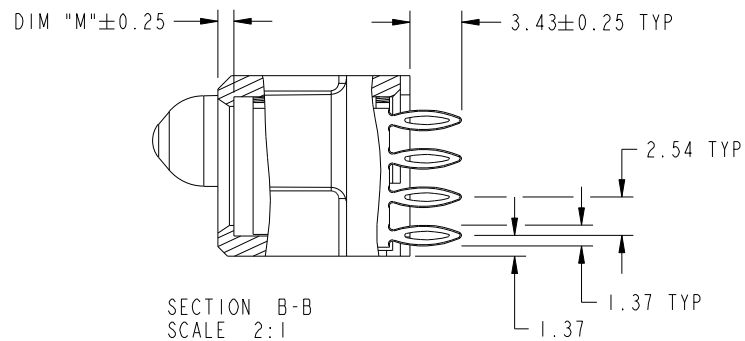
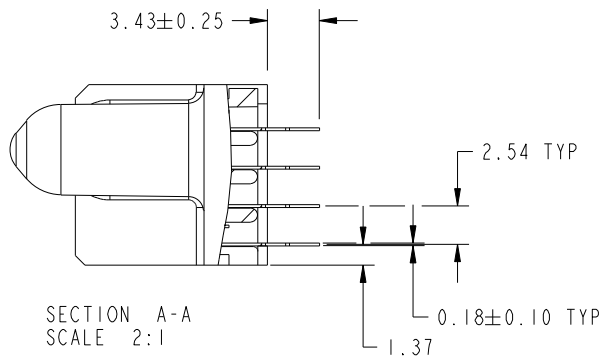
spec ref		SEE NOTE		dr	GUANG SHI	2011/11/15	projection 	MM 	size	A4	scale	1:1	
tolerance std		TOLERANCES UNLESS OTHERWISE SPECIFIED		eng	XQ WANG	2011/11/15			ecn no	*			
see notes				chr	PM ZHENG	2011/11/15							
surface		linear		appr	JOSEPH HSIA	2011/11/15	product family		PwrBlade		rel level	Released	
		0.X		±0.50			part no		2P + 24S + 2P		dwg no	51750-116	rev
		0.XX		±0.25			VERTICAL PF RECEPT						
		0.XXX		±0.10			cat. no.						
angular		0°		±2°		www.fci.com		Product - Customer Drw		sheet 1 of 4			



Copyright FCI.

PRODUCT NUMBER

51750-116:--
NOTE: 3



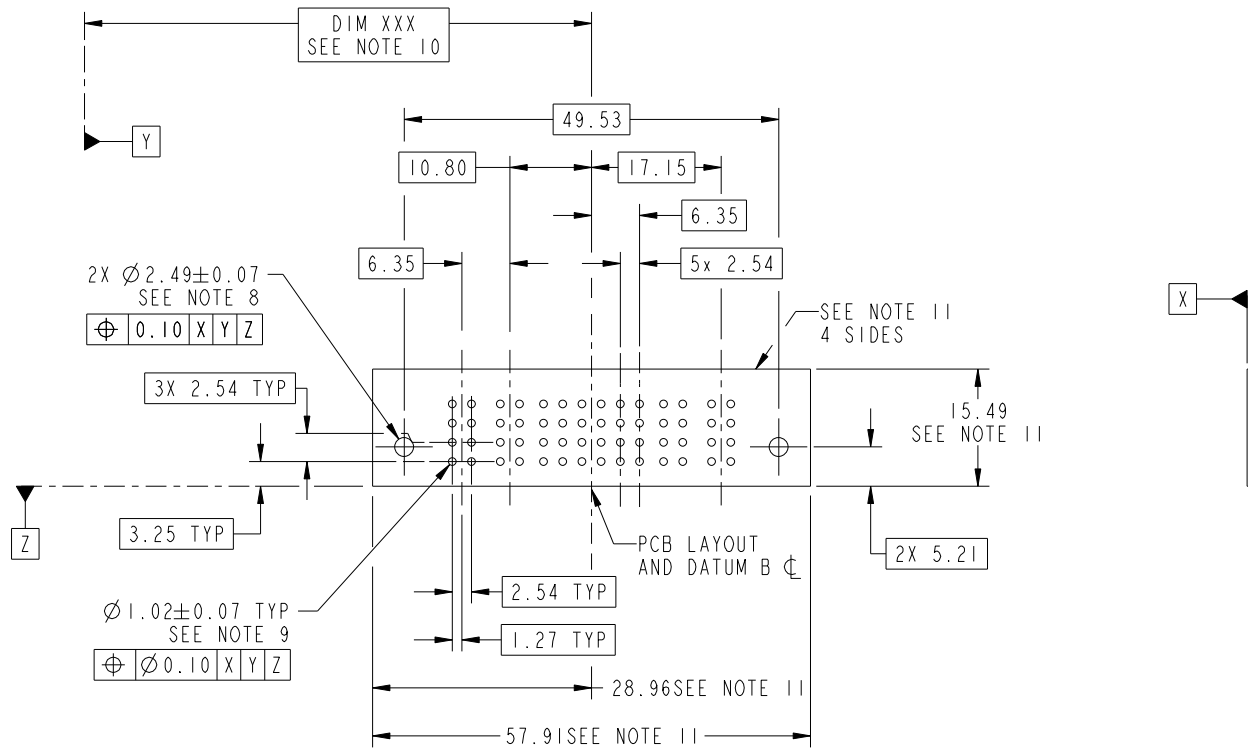
dr	GUANG SHI	2011/11/15	projection 	MM 	size	A4	scale	1:1
eng	XQ WANG	2011/11/15			ecn no	*		
chr	PM ZHENG	2011/11/15			rel level	Released		
appr	JOSEPH HSIA	2011/11/15	product family	PwrBlade	rev	A		
		2P + 24S + 2P VERTICAL PF RECEPT		dwg no 51750-116	rev A			
www.fci.com		cat. no.	Product - Customer Drw		sheet 2 of 4			



Copyright FCI.

PRODUCT NUMBER

51750-116:--
NOTE: 3



RECOMMENDED PCB LAYOUT

dr	GUANG SHI	2011/11/15	projection 	MM ←→	size	A4	scale	1:1	
eng	XQ WANG	2011/11/15			ecn no	*			
chr	PM ZHENG	2011/11/15			product family	PwrBlade		rel level	Released
appr	JOSEPH HSIA	2011/11/15			2P + 24S + 2P VERTICAL PF RECEPT	dwg no 51750-116	rev A		
www.fci.com		cat. no.	Product - Customer Drw			sheet 3 of 4			



PRODUCT NUMBER

51750-116:--
NOTE: 3

NOTES:

1. DIMENSIONS AND TOLERANCES ARE IN ACCORDANCE WITH ASME Y14.5M, 1994 UNLESS OTHERWISE SPECIFIED.

CONNECTOR NOTES:

- ② HOUSING MATERIAL: UL 94 V-0 GLASS FILLED HIGH-TEMP THERMOPLASTIC
POWER CONTACT MATERIAL: COPPER ALLOY
SIGNAL PIN MATERIAL: COPPER ALLOY
- 3. SEE ITEM 7 & 8 IN PRINT 10064183 FOR PLATING SPEC OF 51750-116 AND 51750-116LF RESPECTIVELY.
- ④ MANUFACTURER'S NAME, DATE CODE AND OPTIONAL P/N TO APPEAR ON THIS SURFACE. THE P/N CAN BE OMITTED IF THERE IS NOT ENOUGH SPACE ON THIS SURFACE.
- 5. PRODUCT SPECIFICATION GS-12-149.
APPLICATION SPECIFICATION BUS-20-067.
- 6. PACKAGED IN TRAYS.
- PCB NOTES:
- 7. ALL HOLE DIAMETERS ARE FINISHED HOLE SIZE.
- ⑧ MOUNTING HOLES, WHERE APPLICABLE, ARE UNPLATED.
- ⑨ $\varnothing 1.151 \pm 0.025$ DRILLED HOLES PLATED WITH
0.008 MIN SnPb OR Sn OVER 0.03
TO 0.08 Cu PLATING TO ACHIEVE
 $\varnothing 1.02 \pm 0.07$ HOLE.
- ⑩ "DIM XXX" TO BE DETERMINED BY THE CUSTOMER.
- ⑪ CONNECTOR KEEP-OUT ZONE.
- 12. THE VOID CORING IN BETWEEN POWER MODULES, SIGNAL MODULES AND END MODULES ARE OPTIONAL AND THE SHAPE MAY BE DIFFERENT FOR OPTIMIZE THE MOLDING PROCESS. THE VOID CORING WILL NOT EFFECT TO PRODUCT FUNCTION.

dr	GUANG SHI	2011/11/15	projection 	MM 	size	A4	scale	1:1
eng	XQ WANG	2011/11/15			ecn no	*		
chr	PM ZHENG	2011/11/15			product family	PwrBlade	rel level	Released
appr	JOSEPH HSIA	2011/11/15			+ve 2P + 24S + 2P + VERTICAL PF RECEPT	dwg no 51750-116	rev A	
www.fci.com		cat. no.	Product - Customer Drw			sheet 4 of 4		