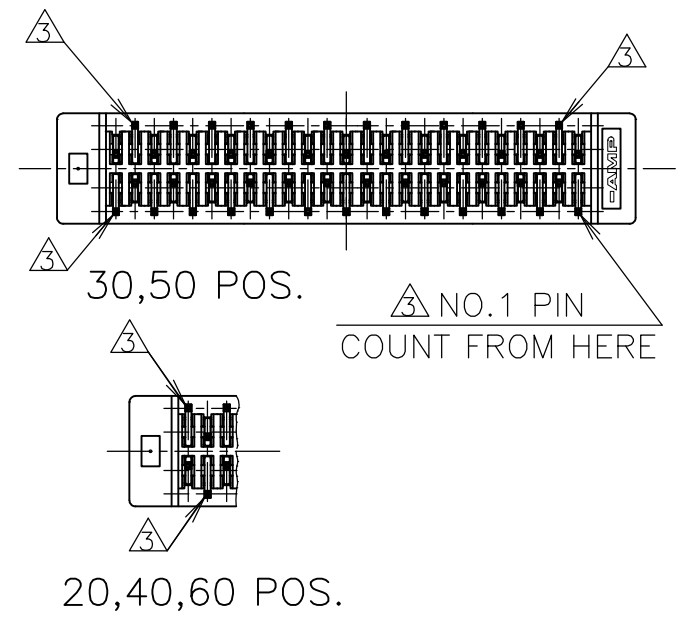
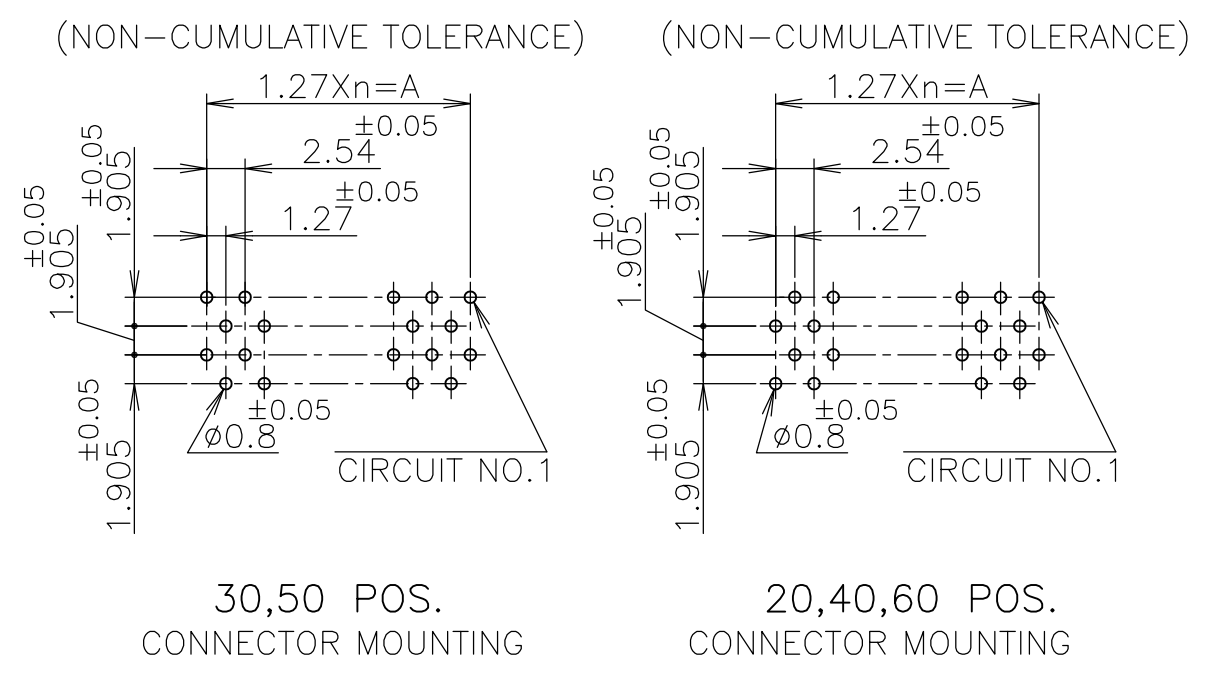
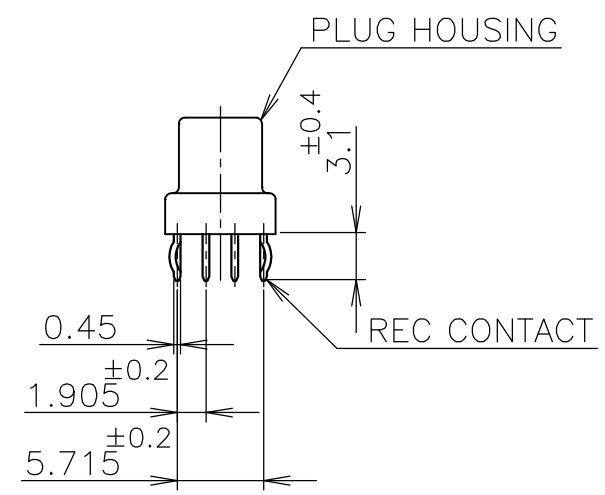
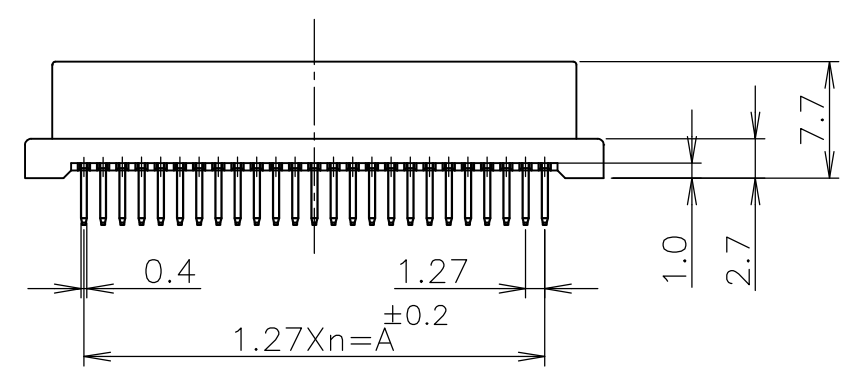
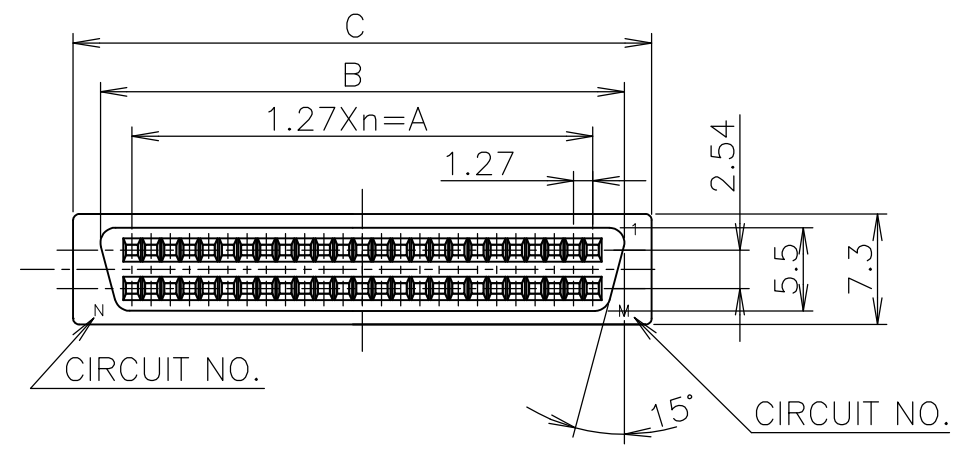


THIS DRAWING IS UNPUBLISHED. RELEASED FOR PUBLICATION AUG ,2004.
 © COPYRIGHT 2004 BY TYCO ELECTRONICS CORPORATION. ALL RIGHTS RESERVED.

LOC	DIST	REVISIONS					
P	LTR	DESCRIPTION	DATE	DWN	APVD		
J	/	0	RELEASED	FJBO-0871-04	24AUG04	C.W	I.E
		01	REVISED PER	ECO-09-024927	09NOV09	KK	AEG



- 1 MATERIAL & FINISH
 PLUG HOUSING: THERMOPLASTIC (UL94V-0)
 COLOR: BLACK.
 REC CONTACT: COPPER ALLOY.
 FINISH: OVER NICKEL, MATING END:
 0.0002 OR 0.00076 MIN. GOLD,
 TERMINATION END: TIN. AND SEALING TREATMENT
 ALL OVER.
- 2 P.W.B. LAYOUT AND P.W.B. TREATMENT (REF.)
 P.W.B. SURFACE ARE TREATED WITH SOLDER RESIST.
 BOARD THICKNESS: 1.6mm.
- 3 ON KINK POINT (4 PLACES).
- 4 OBSOLETE PARTS: OBSOLETE CIS STREAMLINING PER D.RENAUD/D.SINISI

REMARK	N	M	A	B	C	n	POS.	PART NO.
4 OBSOLETE	20	11	11.43	15.60	19.20	9	20	6- -5
	60	31	36.83	41.00	44.60	29	60	6- -4
	50	26	30.48	34.65	38.26	24	50	6- -3
	40	21	24.13	28.30	31.90	19	40	6- -2
	30	16	17.78	21.95	25.55	14	30	6- -1
Au PL. 0.0002 MIN.	20	11	11.43	15.60	19.20	9	20	-5
	60	31	36.83	41.00	44.60	29	60	-4
	50	26	30.48	34.65	38.26	24	50	-3
	40	21	24.13	28.30	31.90	19	40	-2
	30	16	17.78	21.95	25.55	14	30	5175710-1

LEAD FREE

GENERAL TOLERANCE
10 ≥ : ±0.2
30 ≥ > 10: ±0.25
100 ≥ > 30: ±0.3
ANGLES: ±3°

THIS DRAWING IS A CONTROLLED DOCUMENT.		DWN	COREL WANG	24AUG04	Tyco Electronics AMP K.K. Kawasaki, Japan
DIMENSIONS: MM		CHK	STEVEN YAO	24AUG04	
TOLERANCES UNLESS OTHERWISE SPECIFIED:		APVD	I.ENOMOTO	24AUG04	
0 PLC ± - 1 PLC ± - 2 PLC ± - 3 PLC ± - 4 PLC ± - ANGLES ± - FINISH ± -		PRODUCT SPEC	108-60036		
MATERIAL		APPLICATION SPEC	108-60036		NAME
1 		WEIGHT	CUSTOMER DRAWING		PLUG ASSY V WITH KINK AMPLIMITE .050 SERIES I B-TO-B CONN.
1 		SCALE	NTS		SIZE A3 CAGE CODE 00779 DRAWING NO. C-5175710 RESTRICTED TO -
1 		SHEET	1 OF 1		REV 01