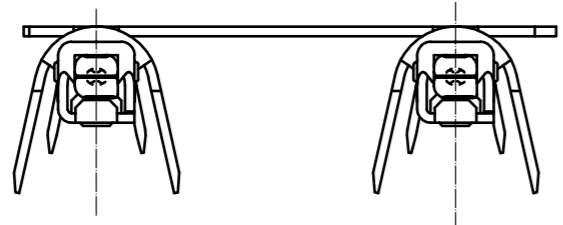
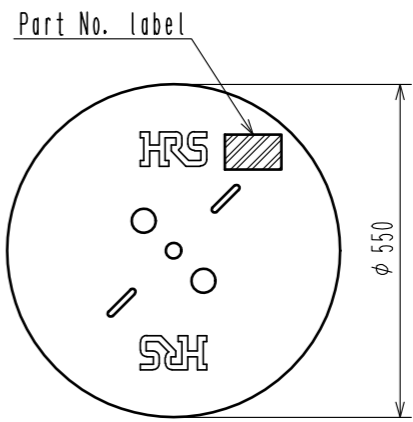


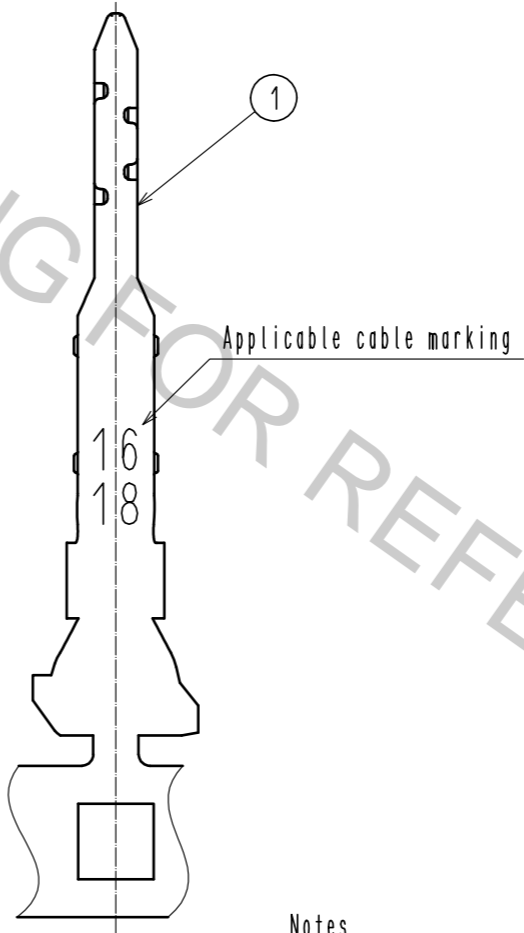
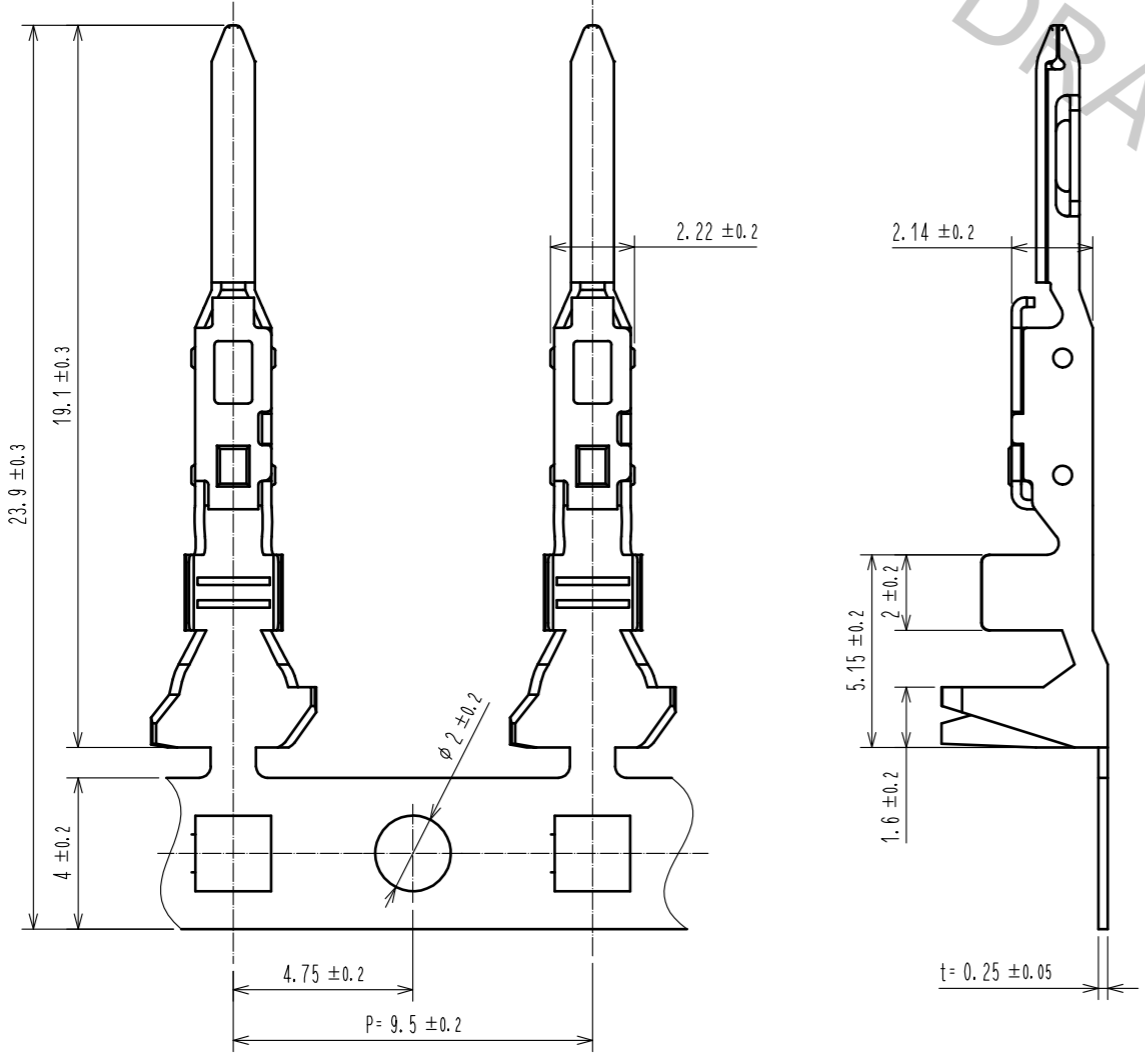
Apr.1.2017 Copyright 2017 HIROSE ELECTRIC CO., LTD. All Rights Reserved.



2 Reel style and dimensions



HRS		Inspection
Code No.	CL680-0529-2	
Part No.	DF63-1618PCF	
Quantity	4000	
Specification		
Lot No.		
Section		



- Notes
- 1RL : 4000 contacts.
 - 2 Style of reel and box are shown in figure.
 - Up to 4 reels are packed up in one box.
 - Please be sure to check the form of crimping using a cable when you adjust applicator.

1	Phosphor bronze	Tin plating : 1μm MIN
NO.	MATERIAL	FINISH . REMARKS

UNITS	SCALE	COUNT	DESCRIPTION OF REVISIONS	DESIGNED	CHECKED	DATE
mm	5 : 1	△				
APPROVED : HK. UMEHARA			15.03.10	DRAWING NO. EDC-359205-00-00		
CHECKED : HK. UMEHARA			15.03.10	PART NO. DF63-1618PCF		
DESIGNED : TO. HORII			15.03.10	CODE NO. CL680-0529-2-00		
DRAWN : TO. HORII			15.03.10	1/1		