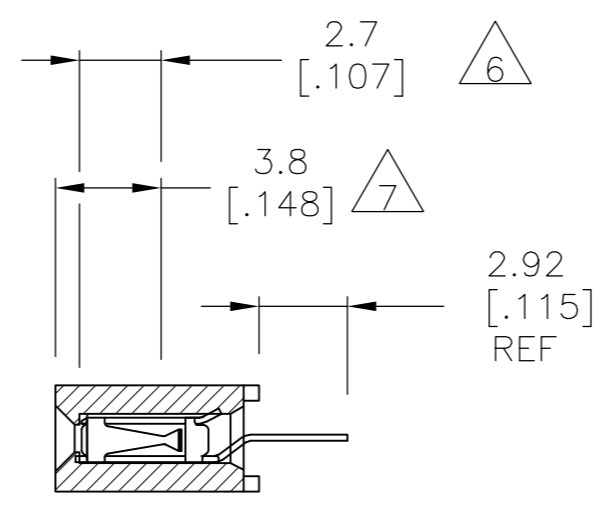
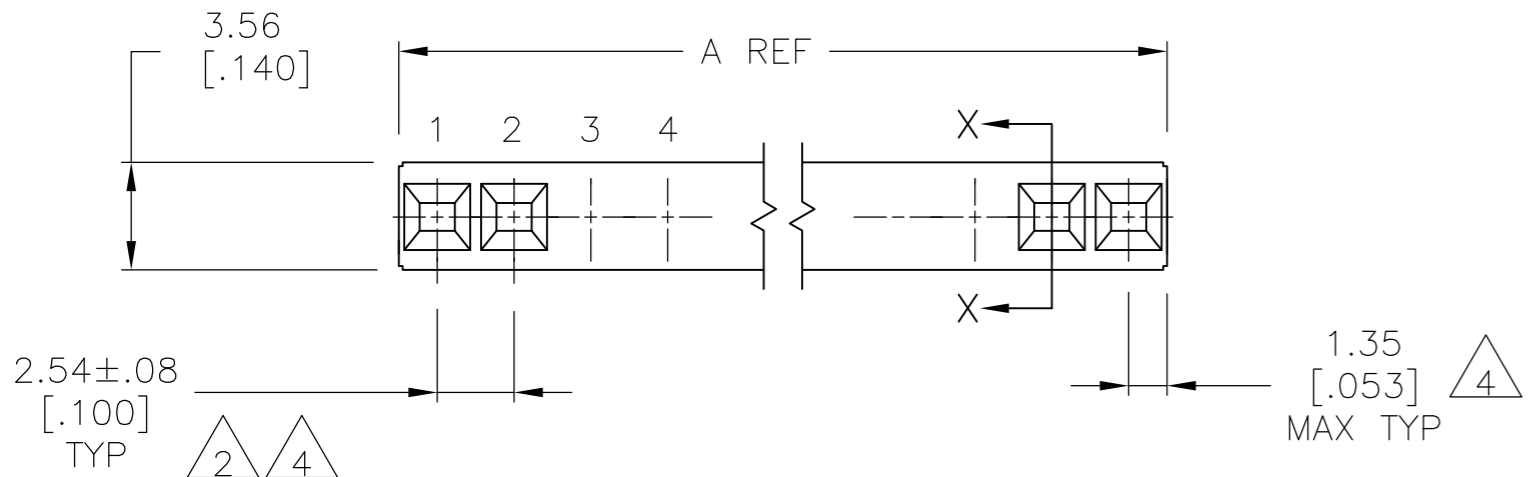
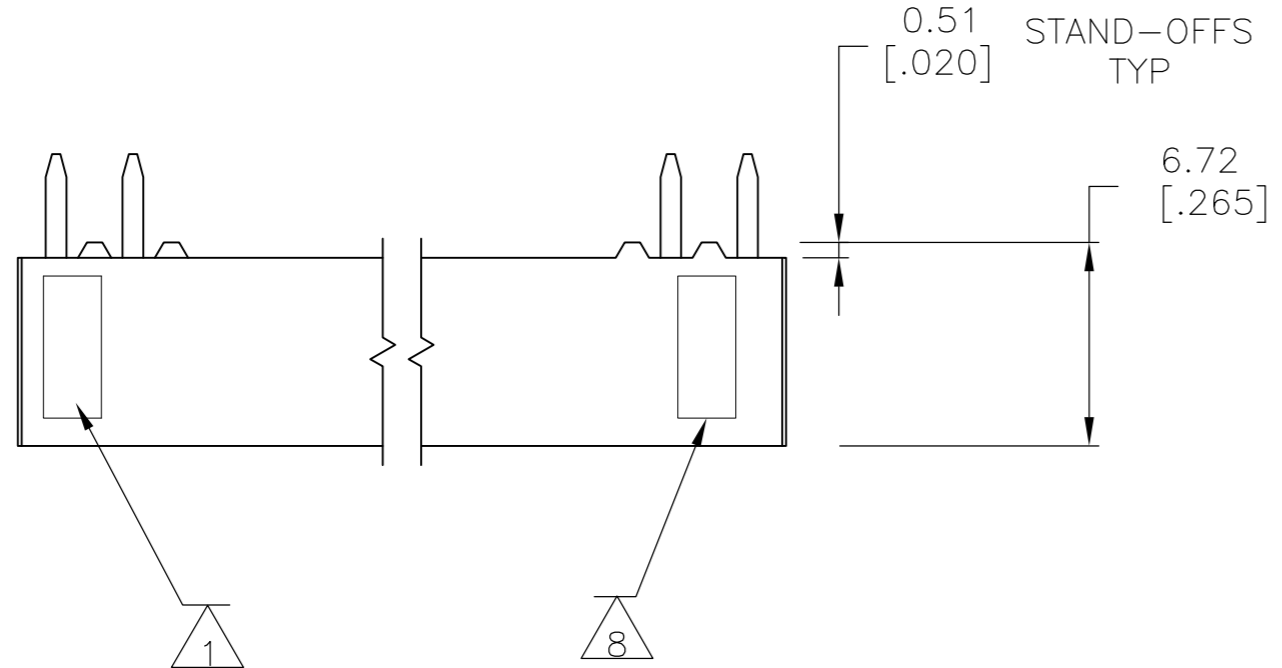
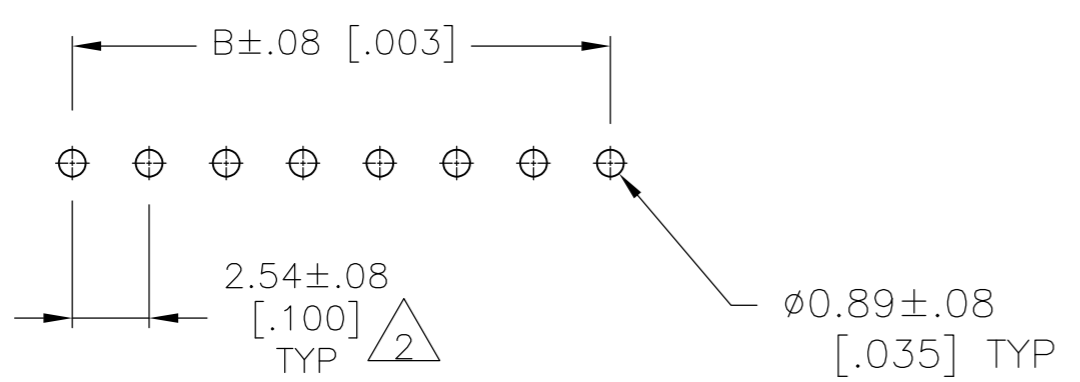


THIS DRAWING IS UNPUBLISHED. RELEASED FOR PUBLICATION  
 © COPYRIGHT BY TYCO ELECTRONICS CORPORATION. ALL RIGHTS RESERVED.

LOC	DIST	REVISIONS					
		P	LTR	DESCRIPTION	DATE	DWN	APVD
AD	00	C		EC 0G3C 0863 04	05FEB05	BSV	JRO
		C1		REVISED PER ECO-09-020689	27AUG09	KK	AEG



SECTION X-X



RECOMMENDED PC BD LAYOUT

- 1 DATE CODE AND PART NUMBER MARKED IN APPROXIMATE LOCATION SHOWN.
- 2 TOLERANCE NON-CUMULATIVE
- 3 DUPLEX PLATED: .000010 GOLD IN CONTACT AREA, .000150-.000300 BRIGHT TIN-LEAD ON SOLDER LEADS, ALL OVER .000050 MIN. NICKEL.
- 4 THESE DIMS. PERTAIN TO CAVITY C'S ONLY, NOT TO CONTACT LOCATIONS
- 5 HOUSING: FLAME RETARDANT GLASS FILLED POLYESTER-BLACK, CONTACT: PHOS. BRONZE
- 6 POINT OF MEASUREMENT DIMENSION FOR PLATING THICKNESS (INSIDE CONTACT BEAMS).
- 7 POINT OF CONTACT DIMENSION.
- 8 TYCO LOGO AND CSA LOGO ARE MOLDED INTO HOUSING.
- 9 DUPLEX PLATED: .000010 GOLD IN CONTACT AREA, .000150-.000300 MATTE TIN ON SOLDER LEADS, ALL OVER .000050 MIN. NICKEL.
- 10 ROHS 2002 /95/EC COMPLIANT
- 11 OBSOLETE PARTS: OBSOLETE CIS STREAMLINING PER D.RENAUD/D.SINISI

9	20	2,4,6,8,10,12,14,16,18,20,22 24,26,28,30,32,34,36,38,40	99.06 [3.900]	101.60 [4.000]	40	11 10 5-146434-2
9	10	2,4,6,8,10,12,14,16,18	45.72 [1.800]	48.26 [1.900]	19	11 10 5-146434-1
3	20	2,4,6,8,10,12,14,16,18,20,22 24,26,28,30,32,34,36,38,40	99.06 [3.900]	101.60 [4.000]	40	146434-2
3	10	2,4,6,8,10,12,14,16,18	45.72 [1.800]	48.26 [1.900]	19	146434-1
FINISH	NO. OF ACTIVE POSITIONS	CONTACTS OMITTED	B	A	NO OF POSN	PART NUMBER

THIS DRAWING IS A CONTROLLED DOCUMENT.

DIMENSIONS: mm [INCHES]	TOLERANCES UNLESS OTHERWISE SPECIFIED:	DWN T. HOFFMAN 9/12/95	Tyco Electronics Corporation Harrisburg, Pa 17105-3608
	0 PLC ± -	CHK C. LEAMAN 9/18/95	
	1 PLC ± -	APVD C. LEAMAN 9/18/95	
	2 PLC ± -	PRODUCT SPEC	
MATERIAL	FINISH	3	9

NAME: RECPT.ASSY., MOD IV, SINGLE ROW, .100 VERTICAL, BD. MOUNT, CLOSED ENTRY, SHORT POINT OF CONTACT, SELECT LOAD

SIZE: A2 CAGE CODE: 00779 DRAWING NO: C=146434 RESTRICTED TO: -

CUSTOMER DRAWING SCALE: 4:1 SHEET: 1 OF 1 REV: C1

146434

A