

φ 172<sub>mm</sub>

# San Ace 172L



## General Specifications

- Material ..... Frame: Aluminum,  
Impeller: Plastics (Flammability: UL94V-1)
- Expected Life ..... Refer to specifications (L10:Survival rate: 90% at 60°C ,  
rated voltage, and continuously run in a free air state)
- Lead Wire ..... ⊕red ⊖black or blue (Sensor) yellow
- Storage Temperature ..... -30°C to +70°C (Non-condensing)

φ 172mm × 51mm (Mass : 780g) **9L type** **Round type**

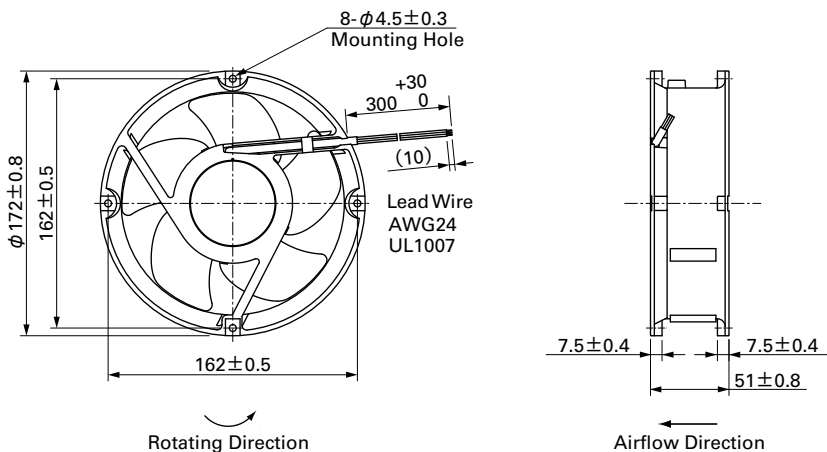
## Specifications

The following nos. **have pulse sensors.**

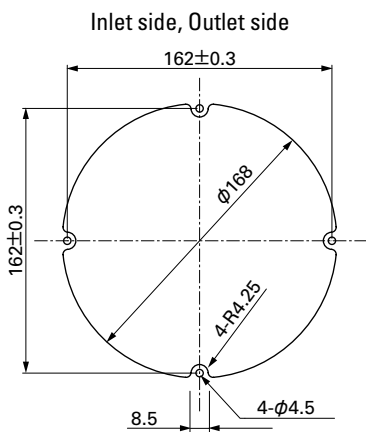
Model No.	Rated Voltage [V]	Operating Voltage Range [V]	Rated Current [A]	Rated Input [W]	Rated Speed [min <sup>-1</sup> ]	Max. Airflow [m <sup>3</sup> /min] [CFM]	Max. Static Pressure [Pa] [inchH <sub>2</sub> O]	SPL [dB(A)]	Operating Temperature [°C]	Expected Life [h]
109L1712H501	12	10.2 to 13.8	1.2	14.4	3,050	6.4 226	137.2 0.551	47	- 20 to + 70	100,000/60°C
109L1712M501			0.48	5.76	2,000	4.2 148	67.6 0.271	36		
109L1724H501	24	20.4 to 27.6	0.58	13.92	3,050	6.4 226	137.2 0.551	47		
109L1724M501			0.2	4.80	2,000	4.2 148	67.6 0.271	36		
109L1748H501	48	40.8 to 55.2	0.28	13.44	3,050	6.4 226	137.2 0.551	47		
109L1748M501			0.11	5.28	2,000	4.2 148	67.6 0.271	36		

Other sensor specifications are available as options. Please refer to the index (p. 496).

## Dimensions (unit: mm)



## Reference Dimensions of Mounting Holes and Vent Opening (unit: mm)



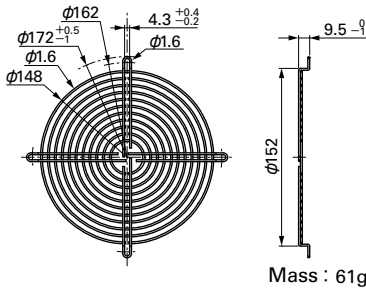
**Options (unit: mm)**

**Finger Guards**

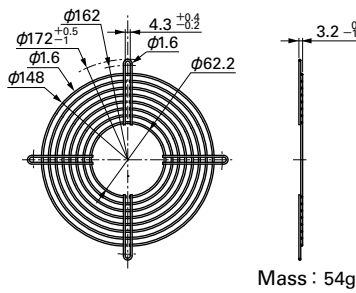
Model : 109-1066 Surface treatment : Nickel-chrome plating (silver) Color

Model : 109-1068 Surface treatment : Nickel-chrome plating (silver) Color

Inlet side, Outlet side



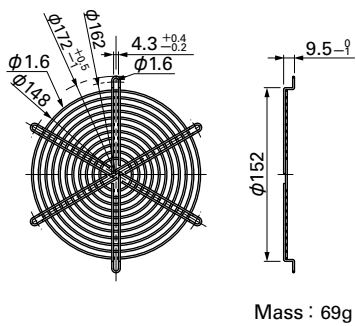
Outlet side



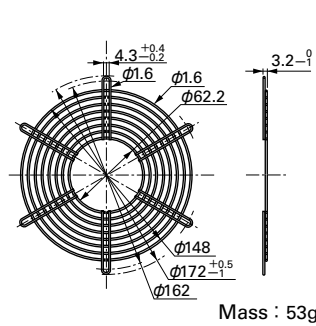
Model : 109-319E Surface treatment : Nickel-chrome plating (silver) Color  
: 109-319H : Cation electropainting (black)

Model : 109-320 Surface treatment : Nickel-chrome plating (silver) Color

Inlet side, Outlet side

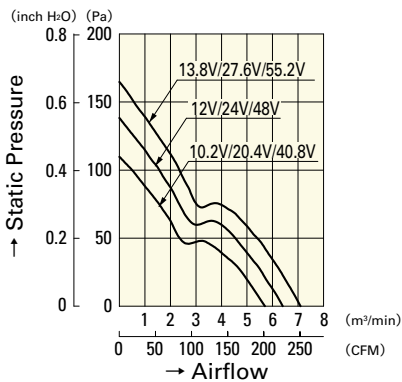


Outlet side

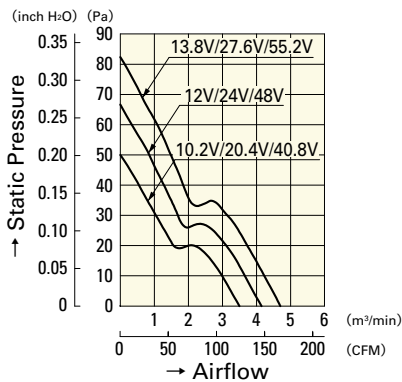


**Airflow - Static Pressure Characteristics**

H speed



M speed



**109L1712H501**

**109L1724H501**

**109L1748H501**

**109L1712M501**

**109L1724M501**

**109L1748M501**

**DC**  
**Long Life Fan 172mm**