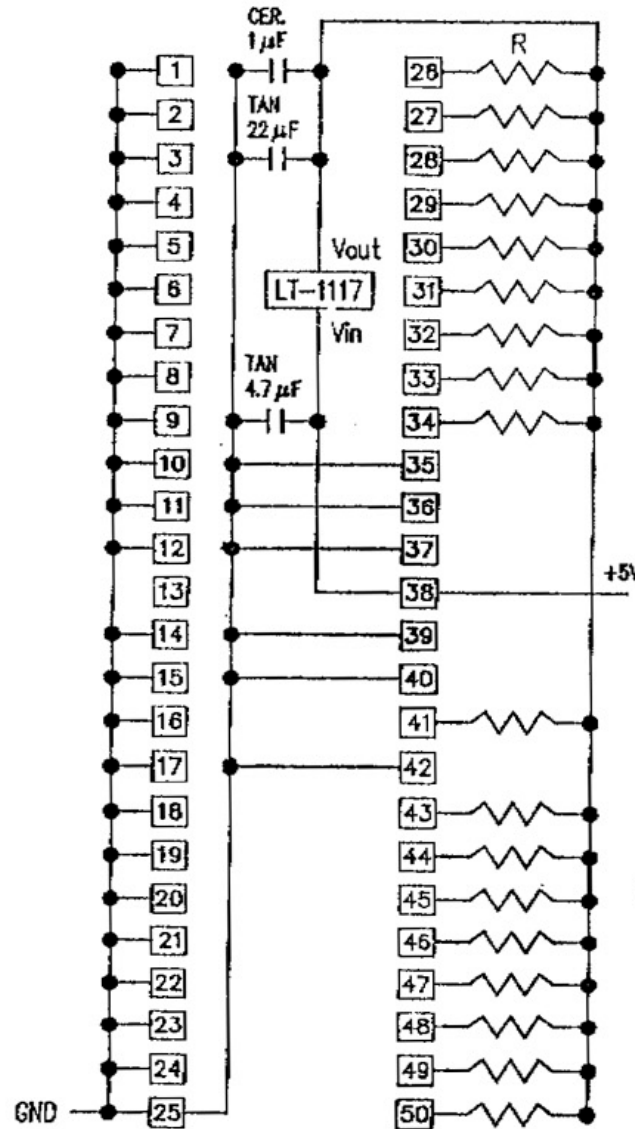
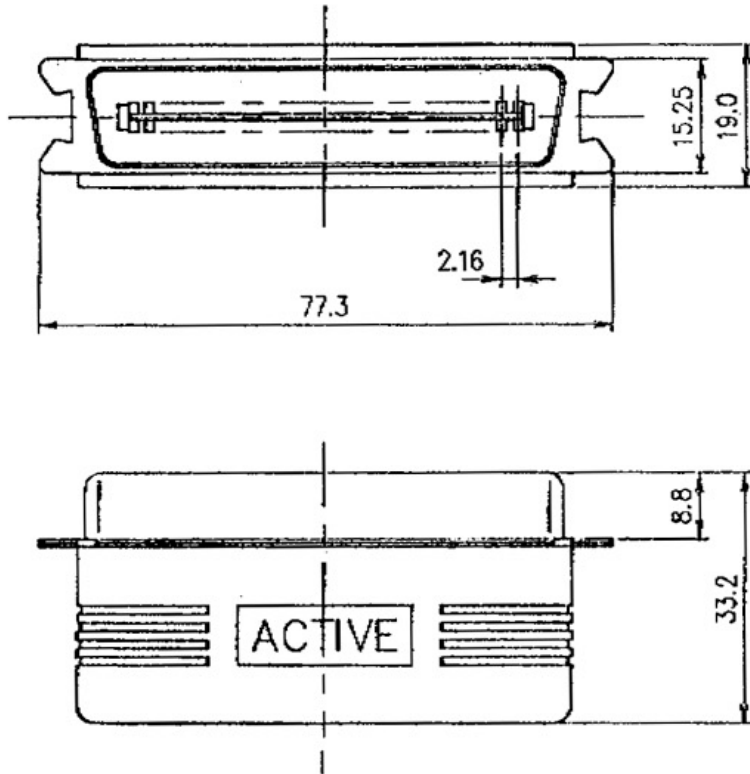


# SCSI TERMINATOR

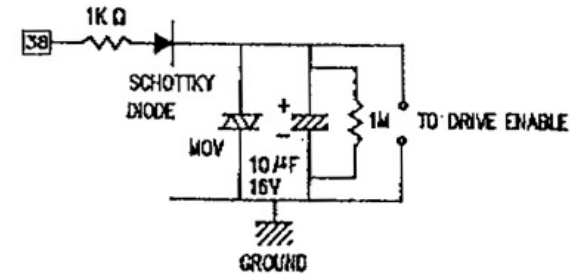


## SPECIFICATIONS

1. Contact Material  
Copper Alloy
2. Contact Plating  
Selective Gold  
(mating area with 99% pure hard gold)
3. Insulator Material  
PBT UL 94V-0 Thermoplastic
4. Current Rating  
1 Amp Max.
5. Working Voltage  
30V DC Max.
6. Shield/Housing  
P.V.C. Molded/Nf/Cr Alloy  
Steel 180° EMI inside Shield

## NOTES

- \* R : Resistor 110±2%
- \* LT-1117 : Regulator IC
- \* CER. : Ceramic Capacitor
- \* TAN : Tantalum



APPROVED	MICHAEL	ASSMANN ELECTRONICS, INC.
CHECKED	JIMMY	P/N : AB-Y102T
DRAWN	WICKY	DES. : C50M ACTIVE