

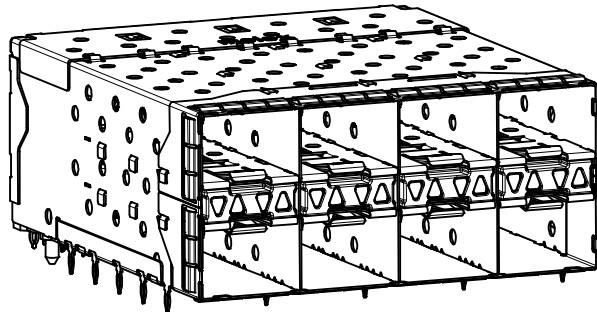
NOTES

- MATERIAL:
  - CAGE: NICKEL SILVER, THICKNESS: 0.25mm
  - CONNECTOR HOUSING: GLASS FILLED LIQUID CRYSTAL POLYMER (LCP), UL 94V-0, COLOR: BLACK
  - OVERMOLD TERMINAL HOUSING: GLASS FILLED LIQUID CRYSTAL POLYMER (LCP), UL 94V-0, COLOR: BLACK
  - TERMINALS: TIN BRASS
  - EMI GASKET: CONDUCTIVE ELASTOMER
  - LIGHTPIPE HOUSING: ZINC
  - LIGHTPIPES: POLYCARBONATE, COLOR: CLEAR
- FINISHES:
  - TERMINALS: CONTACT AREA - 0.76 MICROMETERS MINIMUM HARD GOLD OVER 1.27 MICROMETERS MINIMUM NICKEL.
  - COMPLIANT TAIL - 0.76 TO 1.52 MICROMETERS MATTE TIN OVER 0.76 MICROMETERS MINIMUM NICKEL.
  - LIGHTPIPE HOUSING: 80 MICROMETERS MINIMUM NICKEL OVER COPPER
- REFER TO PS-75310-001 PRODUCT SPEC FOR ALL ELECTRICAL, MECHANICAL, AND ENVIRONMENTAL SPECIFICATIONS.
- LIGHTPIPE PAD LAYOUT IS FOR 0805 LOW-PROFILE LED PACKAGE. FOR OTHER RECOMMENDED LAYOUTS REFER TO MOLEX'S REPORT TS-75310-001.
- REFER TO PK-75450-001 FOR ALL PACKAGING SPECIFICATIONS.
- THE SURFACES CONFORM TO THE MOLEX COSMETIC SPEC PS-45499-002. ALL EXTERIOR SURFACES TO BE CLASS "B" SURFACE EXCEPT THE UNDERSIDE (CLASS "C") OF THE CAGE (SIDE TOWARD THE PCB) AND AS OTHERWISE NOTED.
- THE OVERALL CAGE WIDTH AT THE VERTICAL CENTER OF THE FRONT EDGE WILL FALL WITHIN THIS DIMENSION: 57.80+/-0.30 MM. THIS PORTION OF THE CAGE WILL FLEX INWARD AS THE CAGE IS BEING INSERTED INTO THE BEZEL OPENING.
- REFER TO AS-76090-001 FOR HIGH SPEED ROUTING RECOMMENDATIONS.
- DATE CODE LOCATION IS SHOWN ABOVE.
  - DATE CODE FORMAT: DDDY MX A1
  - DDD = DAY OF THE YEAR
  - Y = YEAR
  - MX = MOLEX
  - A = ALPHA CHARACTER - INDICATES MANUFACTURING LINE
  - 1 = NUMERIC CHARACTER - INDICATES PRODUCTION SHIFT

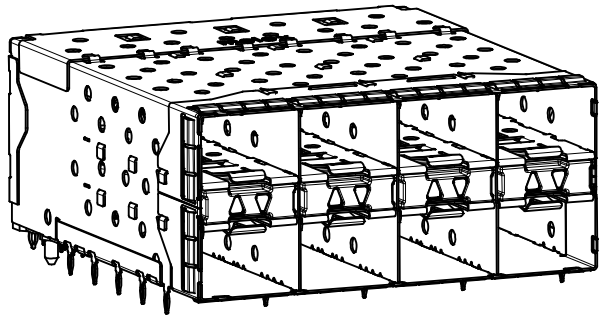
# ENHANCED EMI VERSION

PART NUMBER	LIGHTPIPE CONFIGURATION (SEE VIEWS ON SHEET 2)
760467101	4 LIGHT PORTS
	INNER 2 PORTS
	OUTER 2 PORTS

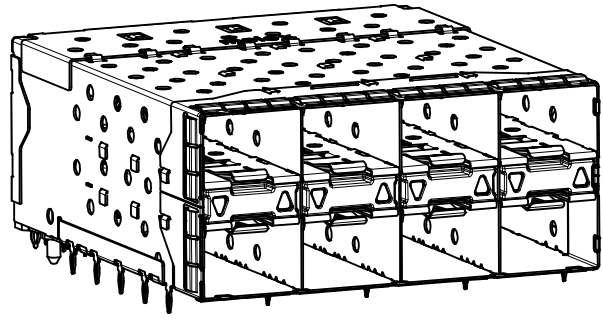
INITIAL RELEASE EC NO: UCP2015-2383 DRWN:BBARKER 2014/12/09 CHKD:TIBARRA 2014/12/09 APPR:SMILLER 2015/03/17	QUALITY SYMBOLS ▽=0 ▽=0 ▽=0	GENERAL TOLERANCES (UNLESS SPECIFIED)		DIMENSION STYLE MM ONLY		SCALE 3:1	DESIGN UNITS METRIC	THIRD ANGLE PROJECTION	
		mm	INCH	DRAWN BY BBARKER	DATE 2014/12/09	TITLE <b>STACKED SFP+ 2X4 ASS'Y          W/ METAL EMI GASKET AND          LIGHTPIPES, ENHANCED EMI</b>			
		4 PLACES ± ---	± ---	CHECKED BY	DATE				
		3 PLACES ± ---	± ---	APPROVED BY SMILLER		DATE 2015/03/17	<b>molex</b> DOCUMENT NO. <b>RSD-76046-0003</b>		
2 PLACES ± 0.13	± ---	MATERIAL NO.		SHEET NO. 1 OF 5					
1 PLACE ± 0.25	± ---	DRAFT WHERE APPLICABLE MUST REMAIN WITHIN DIMENSIONS		SIZE C	THIS DRAWING CONTAINS INFORMATION THAT IS PROPRIETARY TO MOLEX INCORPORATED AND SHOULD NOT BE USED WITHOUT WRITTEN PERMISSION				
0 PLACE ±	±								



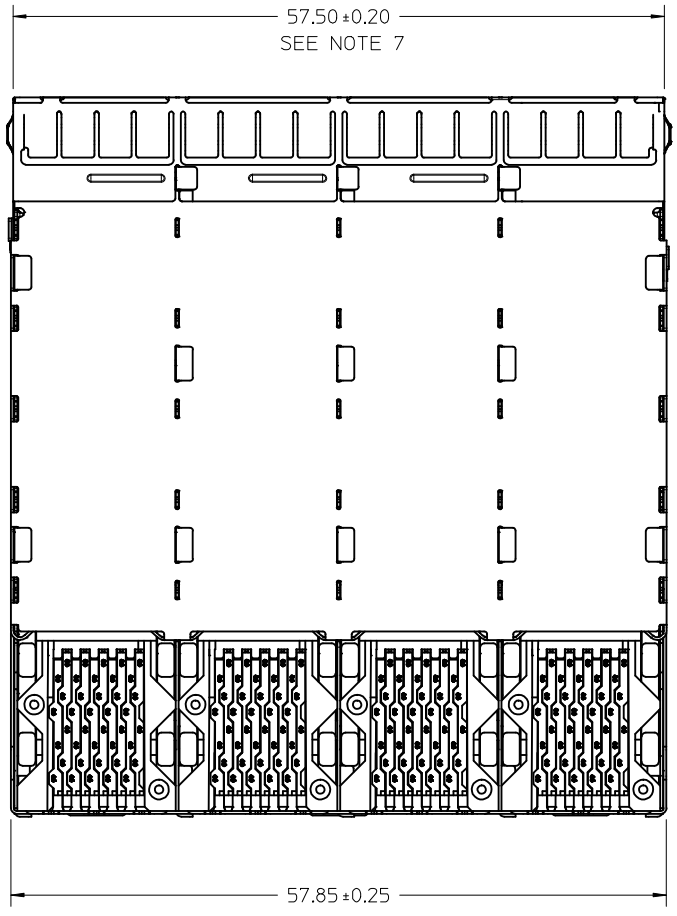
760467101  
WITH INNER AND OUTER LIGHTPIPES



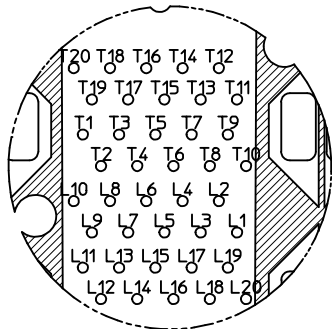
WITH INNER LIGHTPIPES



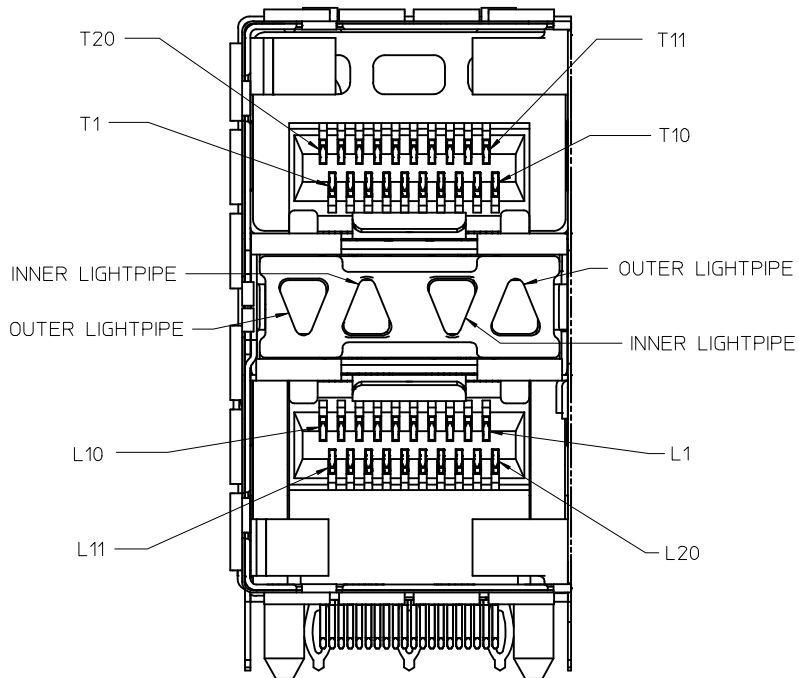
WITH OUTER LIGHTPIPES



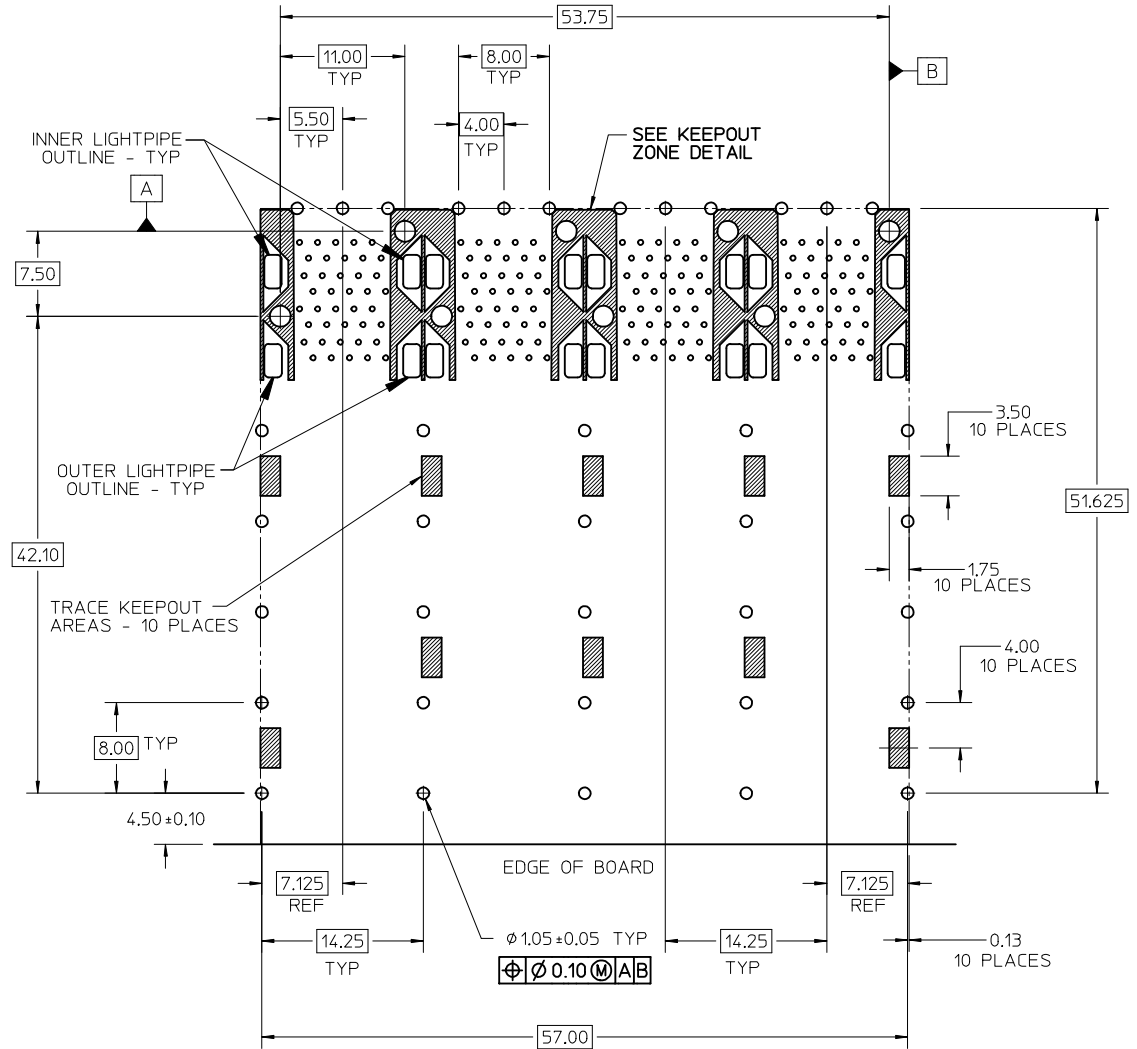
SEE SHEET 1 EC NO: UCP2015-2383 DRWN:BBARKER 2014/12/09 CHKD:TIBARRA 2014/12/09 APPR:SMILLER 2015/03/17	QUALITY SYMBOLS ▽=0 ▽=0 ▽=0	GENERAL TOLERANCES (UNLESS SPECIFIED)		DIMENSION STYLE <b>MM ONLY</b>		SCALE 3:1	DESIGN UNITS METRIC	THIRD ANGLE PROJECTION			
		4 PLACES ± --- ± ---	3 PLACES ± --- ± ---	DRAWN BY BBARKER	DATE 2014/12/09	TITLE STACKED SFP+ 2X4 ASS'Y W/ METAL EMI GASKET AND LIGHTPIPES, ENHANCED EMI <b>molex</b>					
		2 PLACES ± 0.13 ± ---	1 PLACE ± 0.25 ± ---	CHECKED BY SMILLER	DATE 2015/03/17						
		0 PLACE ± ±	ANGULAR ± 5 °	APPROVED BY SMILLER		DATE 2015/03/17	MATERIAL NO. RSD-76046-0003		SHEET NO. 2 OF 5		
DRAFT WHERE APPLICABLE MUST REMAIN WITHIN DIMENSIONS		SEE TABLE		THIS DRAWING CONTAINS INFORMATION THAT IS PROPRIETARY TO MOLEX INCORPORATED AND SHOULD NOT BE USED WITHOUT WRITTEN PERMISSION							



CIRCUIT NUMBERING  
COMPONENT SIDE OF BOARD  
SCALE 6:1



DETAIL A  
SCALE 6:1  
CIRCUIT NUMBERING  
AND LIGHTPIPE  
IDENTIFICATION



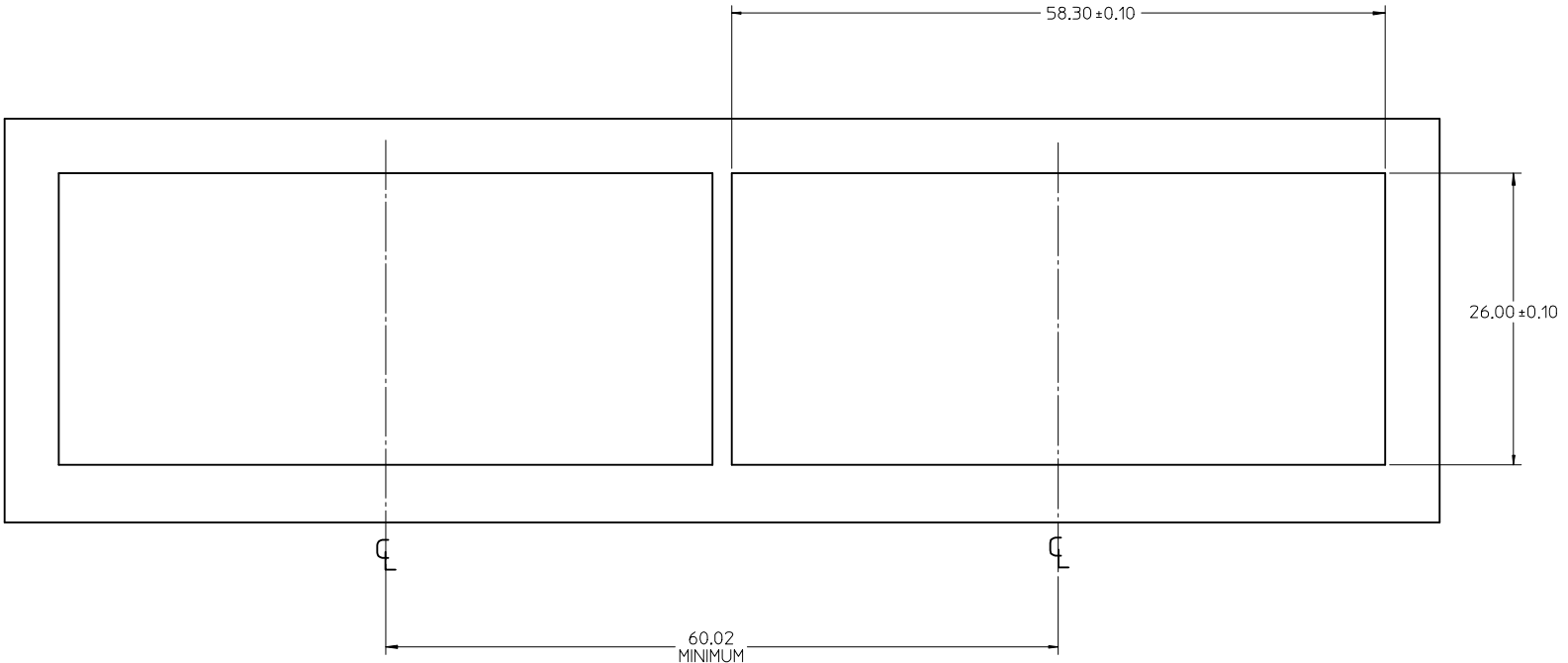
RECOMMENDED PCB LAYOUT - COMPONENT SIDE  
RECOMMENDED PCB THICKNESS - 2.36 MM (.093 INCH)

THE ENTIRE AREA OF THE CONNECTOR FOOTPRINT  
TO BE CONSIDERED THE KEEPOUT AREA FOR COMPONENTS  
(OTHER THAN THE LIGHTPIPE LED'S)  
THIS AREA IS INDICATED BY THE DASHED LINE

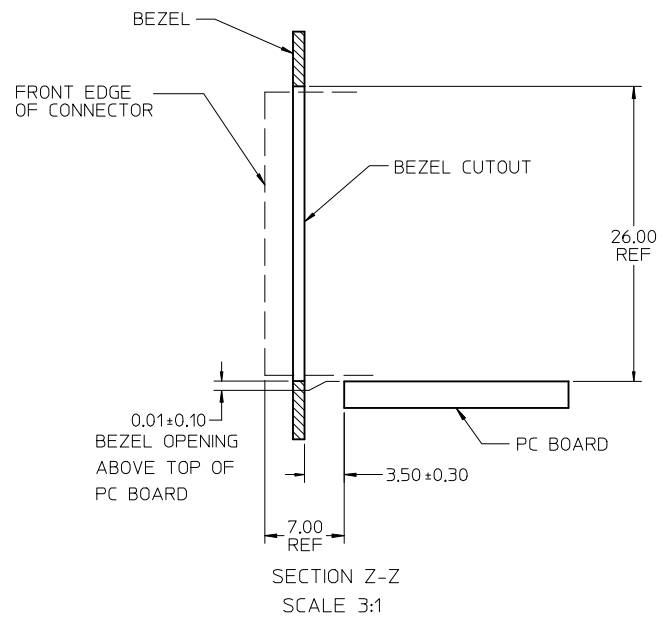
SEE SHEET 1 EC NO: UCP2015-2383 DRWN:BBARKER 2014/12/09 CHKD:TIBARRA 2014/12/09 APPR:SMILLER 2015/03/17	QUALITY SYMBOLS	GENERAL TOLERANCES (UNLESS SPECIFIED)	DIMENSION STYLE MM ONLY	SCALE 3:1	DESIGN UNITS METRIC	THIRD ANGLE PROJECTION
	▽=0	mm INCH	DRAWN BY DATE BBARKER 2014/12/09	TITLE	STACKED SFP+ 2X4 ASS'Y W/ METAL EMI GASKET AND LIGHTPIPES, ENHANCED EMI	
	▽=0	4 PLACES ± --- ± ---	CHECKED BY DATE	molex		
	▽=0	3 PLACES ± --- ± ---	APPROVED BY DATE SMILLER 2015/03/17		DOCUMENT NO. RSD-76046-0003	SHEET NO. 3 OF 5
REV	DESCRIPTION	ANGULAR ± 5 °	MATERIAL NO.	THIS DRAWING CONTAINS INFORMATION THAT IS PROPRIETARY TO MOLEX INCORPORATED AND SHOULD NOT BE USED WITHOUT WRITTEN PERMISSION		
A		DRAFT WHERE APPLICABLE MUST REMAIN WITHIN DIMENSIONS	SEE TABLE			



13 12 11 10 9 8 7 6 5 4 3 2 1

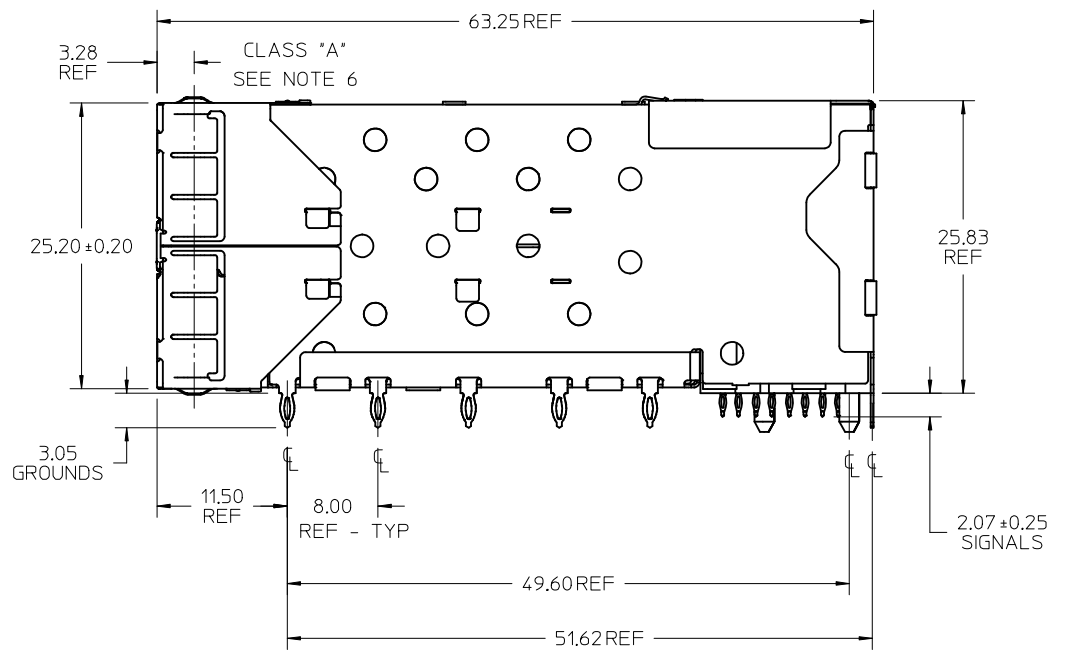
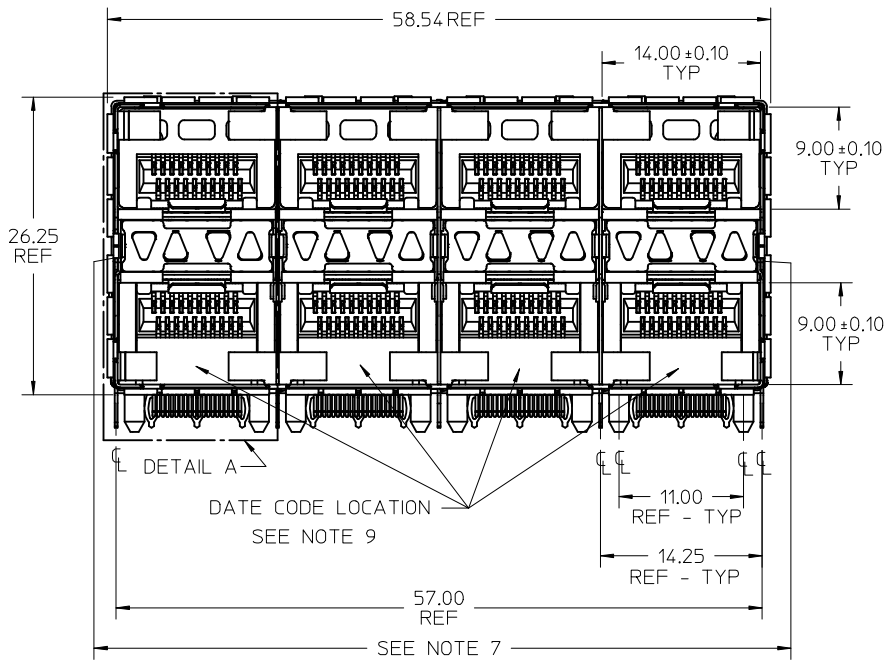


BEZEL CUTOUT CENTER SPACING DETAIL  
BEZEL THICKNESS 0.8-2.6



SECTION Z-Z  
SCALE 3:1

<b>SEE SHEET 1</b> EC NO: UCP2015-2383 DRWN:BBARKER 2014/12/09 CHKD:TIBARRA 2014/12/09 APPR:SMILLER 2015/03/17	QUALITY SYMBOLS $\nabla = 0$ $\nabla = 0$ $\nabla = 0$	GENERAL TOLERANCES (UNLESS SPECIFIED) <table border="1"> <tr> <th></th> <th>mm</th> <th>INCH</th> </tr> <tr> <td>4 PLACES</td> <td>± ---</td> <td>± ---</td> </tr> <tr> <td>3 PLACES</td> <td>± ---</td> <td>± ---</td> </tr> <tr> <td>2 PLACES</td> <td>± 0.13</td> <td>± ---</td> </tr> <tr> <td>1 PLACE</td> <td>± 0.25</td> <td>± ---</td> </tr> <tr> <td>0 PLACE</td> <td>±</td> <td>±</td> </tr> </table>		mm	INCH	4 PLACES	± ---	± ---	3 PLACES	± ---	± ---	2 PLACES	± 0.13	± ---	1 PLACE	± 0.25	± ---	0 PLACE	±	±	DIMENSION STYLE <b>MM ONLY</b> DRAWN BY: BBARKER DATE: 2014/12/09 CHECKED BY: DATE:	SCALE: 3:1 DESIGN UNITS: METRIC THIRD ANGLE PROJECTION	TITLE: STACKED SFP+ 2X4 ASS'Y W/ METAL EMI GASKET AND LIGHTPIPES, ENHANCED EMI <b>molex</b> DOCUMENT NO. RSD-76046-0003 SHEET NO. 5 OF 5
		mm	INCH																				
	4 PLACES	± ---	± ---																				
	3 PLACES	± ---	± ---																				
2 PLACES	± 0.13	± ---																					
1 PLACE	± 0.25	± ---																					
0 PLACE	±	±																					
DESCRIPTION:	ANGULAR ± 5 ° DRAFT WHERE APPLICABLE MUST REMAIN WITHIN DIMENSIONS	APPROVED BY: SMILLER DATE: 2015/03/17	MATERIAL NO.																				
REV: A	SIZE: C	SEE TABLE	THIS DRAWING CONTAINS INFORMATION THAT IS PROPRIETARY TO MOLEX INCORPORATED AND SHOULD NOT BE USED WITHOUT WRITTEN PERMISSION																				



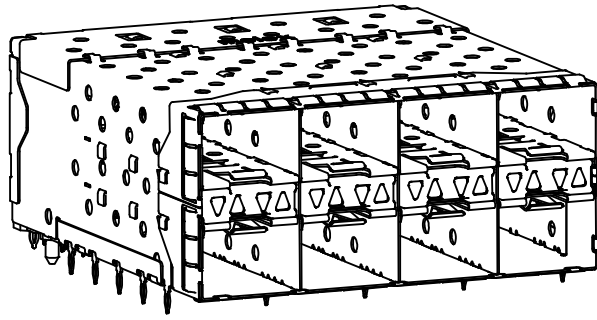
**NOTES**

- MATERIAL:**  
 CAGE: NICKEL SILVER, THICKNESS: 0.25mm  
 CONNECTOR HOUSING: GLASS FILLED LIQUID CRYSTAL POLYMER (LCP), UL 94V-0, COLOR: BLACK  
 OVERMOLD TERMINAL HOUSING: GLASS FILLED LIQUID CRYSTAL POLYMER (LCP), UL 94V-0, COLOR: BLACK  
 TERMINALS: TIN BRASS  
 EMI GASKET: PHOS-BRONZE  
 LIGHTPIPE HOUSING: ZINC  
 LIGHTPIPES: POLYCARBONATE, COLOR: CLEAR
- FINISHES:**  
 TERMINALS: CONTACT AREA - 0.76 MICROMETERS MINIMUM HARD GOLD OVER 1.27 MICROMETERS MINIMUM NICKEL.  
 COMPLIANT TAIL - 0.76 TO 1.52 MICROMETERS MATTE TIN OVER 0.76 MICROMETERS MINIMUM NICKEL.  
 LIGHTPIPE HOUSING: 80 MICROMETERS MINIMUM NICKEL OVER COPPER  
 EMI GASKET: 2.54 MICROMETERS MINIMUM NICKEL OVERALL
- REFER TO PS-75310-001 PRODUCT SPEC FOR ALL ELECTRICAL, MECHANICAL, AND ENVIRONMENTAL SPECIFICATIONS.
- LIGHTPIPE PAD LAYOUT IS FOR 0805 LOW-PROFILE LED PACKAGE, FOR OTHER RECOMMENDED LAYOUTS REFER TO MOLEX'S REPORT TS-75310-001.
- REFER TO PK-75450-001 FOR ALL PACKAGING SPECIFICATIONS.
- THE SURFACES CONFORM TO THE MOLEX COSMETIC SPEC PS-45499-002. ALL EXTERIOR SURFACES TO BE CLASS "B" SURFACE EXCEPT THE UNDERSIDE (CLASS "C") OF THE CAGE (SIDE TOWARD THE PCB) AND AS OTHERWISE NOTED.
- THE OVERALL CAGE WIDTH AT THE VERTICAL CENTER OF THE FRONT EDGE WILL FALL WITHIN THIS DIMENSION: 57.80+/-0.30 MM. THIS PORTION OF THE CAGE WILL FLEX INWARD AS THE CAGE IS BEING INSERTED INTO THE BEZEL OPENING.
- REFER TO AS-76090-001 FOR HIGH SPEED ROUTING RECOMMENDATIONS.
- DATE CODE LOCATION IS SHOWN ABOVE.  
 DATE CODE FORMAT: DDDY MX A1  
 DDD = DAY OF THE YEAR  
 Y = YEAR  
 MX = MOLEX  
 A = ALPHA CHARACTER - INDICATES MANUFACTURING LINE  
 1 = NUMERIC CHARACTER - INDICATES PRODUCTION SHIFT

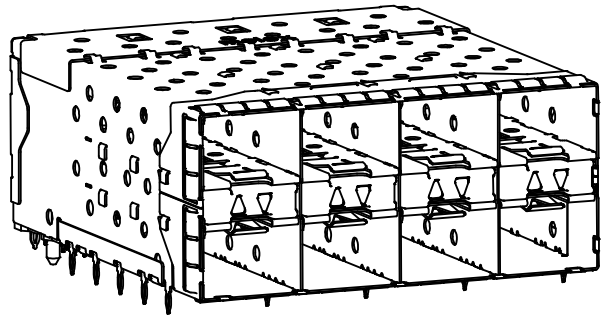
# ENHANCED EMI VERSION

PART NUMBER	LIGHTPIPE CONFIGURATION (SEE VIEWS ON SHEET 2)
760467001	4 LIGHT PORTS
760467002	INNER 2 PORTS
760467006	OUTER 2 PORTS - SPECIAL CONFIGURATION

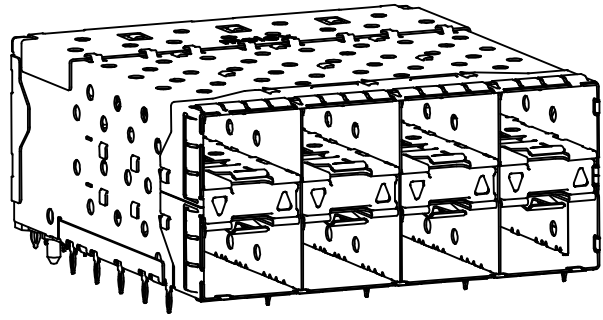
<b>REV. NOTES &amp; 2 FOR EMI</b> EC NO: UCP2016-3489 DRWNS:VANG01 2016/03/07 CHKD:BBARKER 2016/03/07 APPR:SMILLER 2016/03/25	QUALITY SYMBOLS ▽=0 ▽=0 ▽=0	GENERAL TOLERANCES (UNLESS SPECIFIED) <table border="1"> <tr> <th>mm</th> <th>INCH</th> </tr> <tr> <td>4 PLACES ± .005</td> <td>± .0005</td> </tr> <tr> <td>3 PLACES ± .002</td> <td>± .0002</td> </tr> <tr> <td>2 PLACES ± 0.13</td> <td>± .005</td> </tr> <tr> <td>1 PLACE ± 0.25</td> <td>± .010</td> </tr> <tr> <td>0 PLACE ±</td> <td>±</td> </tr> </table>	mm	INCH	4 PLACES ± .005	± .0005	3 PLACES ± .002	± .0002	2 PLACES ± 0.13	± .005	1 PLACE ± 0.25	± .010	0 PLACE ±	±	DIMENSION STYLE <b>MM ONLY</b> DRAWN BY: TIBARRA DATE: 2012/08/09 CHECKED BY: BBARKER DATE: 2012/08/15 APPROVED BY: SMILLER DATE: 2012/08/28	SCALE <b>3:1</b>	DESIGN UNITS <b>METRIC</b>	THIRD ANGLE PROJECTION
		mm	INCH															
		4 PLACES ± .005	± .0005															
		3 PLACES ± .002	± .0002															
2 PLACES ± 0.13	± .005																	
1 PLACE ± 0.25	± .010																	
0 PLACE ±	±																	
DRAFT WHERE APPLICABLE MUST REMAIN WITHIN DIMENSIONS		MATERIAL NO. <b>SEE TABLE</b>	DOCUMENT NO. <b>SD-76046-0003</b>	SHEET NO. <b>1 OF 5</b>														
THIS DRAWING CONTAINS INFORMATION THAT IS PROPRIETARY TO MOLEX INCORPORATED AND SHOULD NOT BE USED WITHOUT WRITTEN PERMISSION																		
<b>molex</b>																		



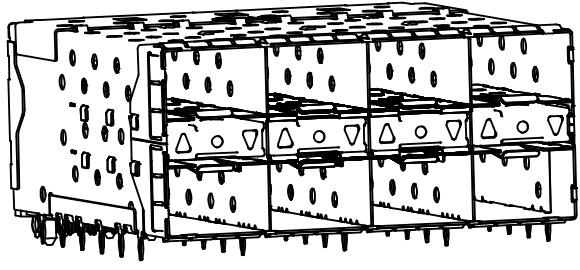
760467001  
WITH INNER AND OUTER LIGHTPIPES



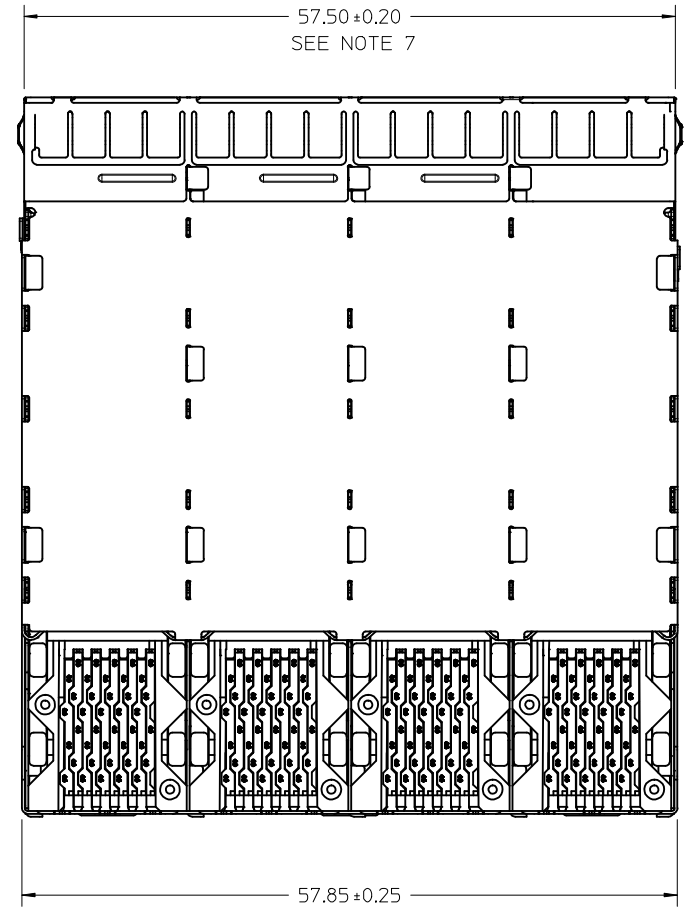
76046-7002  
WITH INNER LIGHTPIPES



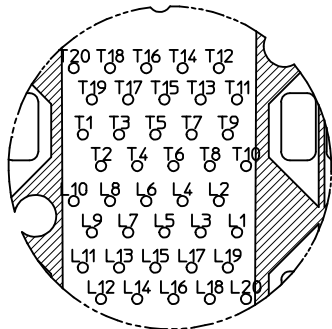
WITH OUTER LIGHTPIPES



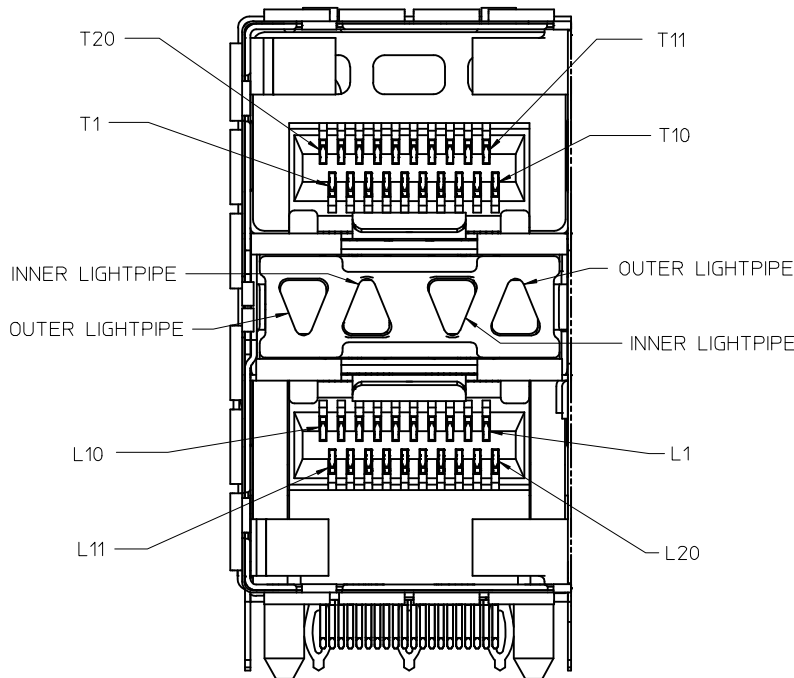
760467006  
WITH OUTER LIGHTPIPES  
SPECIAL CONFIGURATION



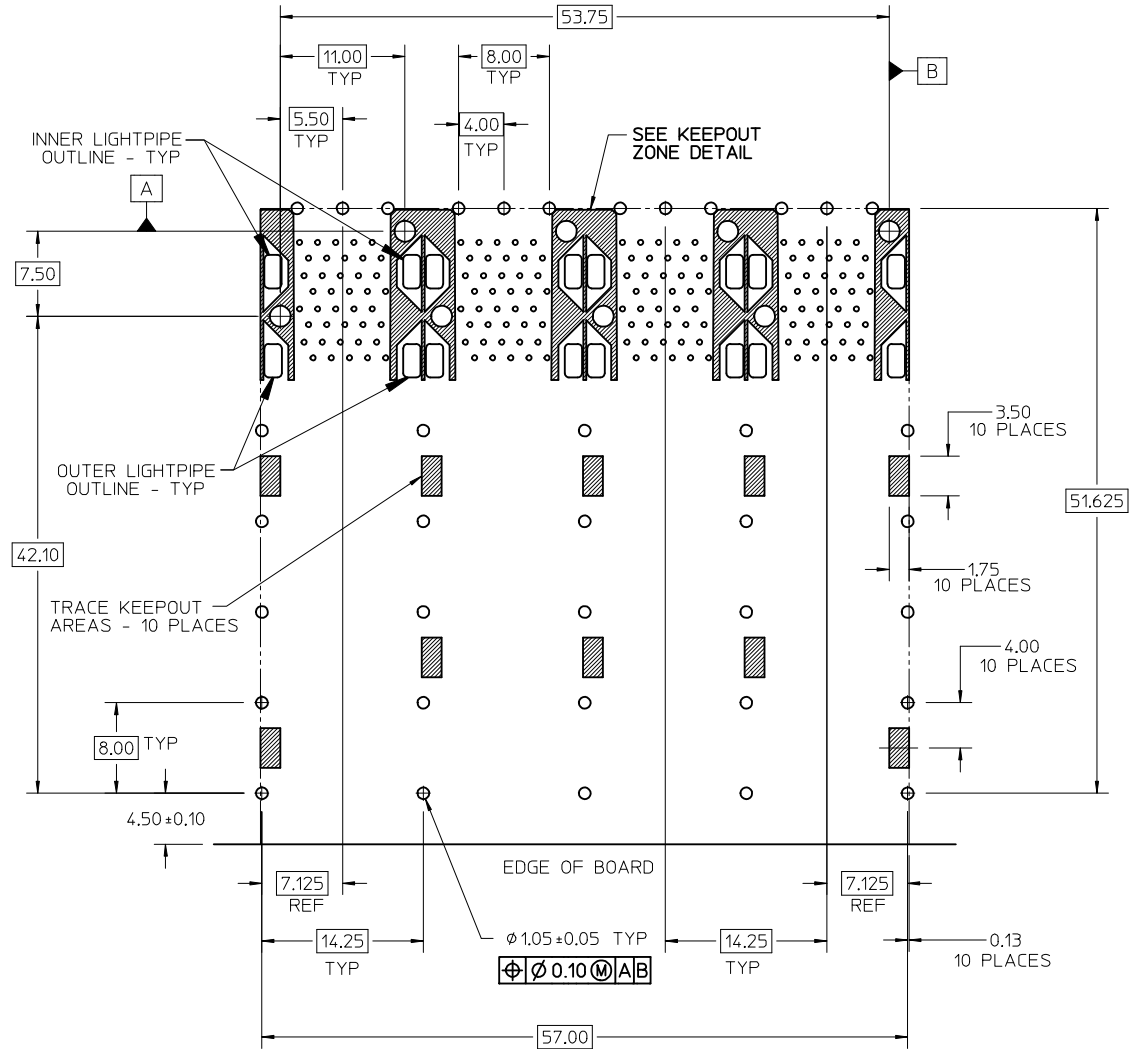
SEE SHEET 1 EC NO: UCP2016-3489 DRWNS:YANG01 2016/03/07 CHKD:BBARKER 2016/03/07 APPR:SMILLER 2016/03/25	QUALITY SYMBOLS ▽=0 ▽=0 ▽=0	GENERAL TOLERANCES (UNLESS SPECIFIED)		DIMENSION STYLE MM ONLY		SCALE 3:1	DESIGN UNITS METRIC	THIRD ANGLE PROJECTION			
		4 PLACES ± --- ± ---	mm INCH	DRAWN BY TIBARRA	DATE 2012/08/09	TITLE STACKED SFP+ 2X4 ASS'Y W/ METAL EMI GASKET AND LIGHTPIPES, ENHANCED EMI <b>molex</b> DOCUMENT NO. SD-76046-0003 SHEET NO. 2 OF 5					
		3 PLACES ± --- ± ---	2 PLACES ± 0.13 ± ---	CHECKED BY BBARKER	DATE 2012/08/15						
		1 PLACE ± 0.25 ± ---	0 PLACE ± ±	APPROVED BY SMILLER	DATE 2012/08/28						
ANGULAR ± 5 °		MATERIAL NO.									
DRAFT WHERE APPLICABLE MUST REMAIN WITHIN DIMENSIONS				SEE TABLE							
THIS DRAWING CONTAINS INFORMATION THAT IS PROPRIETARY TO MOLEX INCORPORATED AND SHOULD NOT BE USED WITHOUT WRITTEN PERMISSION											



CIRCUIT NUMBERING  
COMPONENT SIDE OF BOARD  
SCALE 6:1



DETAIL A  
SCALE 6:1  
CIRCUIT NUMBERING  
AND LIGHTPIPE  
IDENTIFICATION

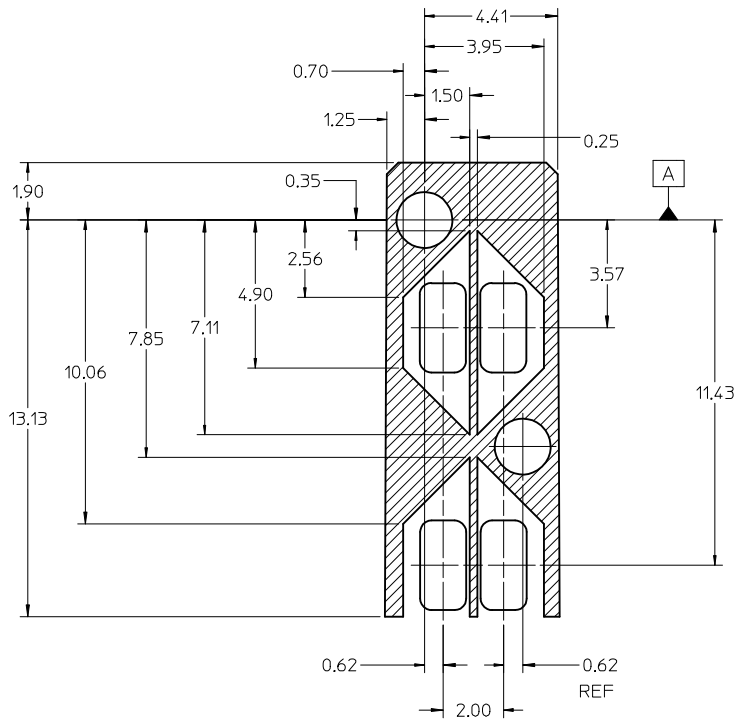


RECOMMENDED PCB LAYOUT - COMPONENT SIDE  
RECOMMENDED PCB THICKNESS - 2.36 MM (.093 INCH)

THE ENTIRE AREA OF THE CONNECTOR FOOTPRINT  
TO BE CONSIDERED THE KEEPOUT AREA FOR COMPONENTS  
(OTHER THAN THE LIGHTPIPE LED'S)  
THIS AREA IS INDICATED BY THE DASHED LINE

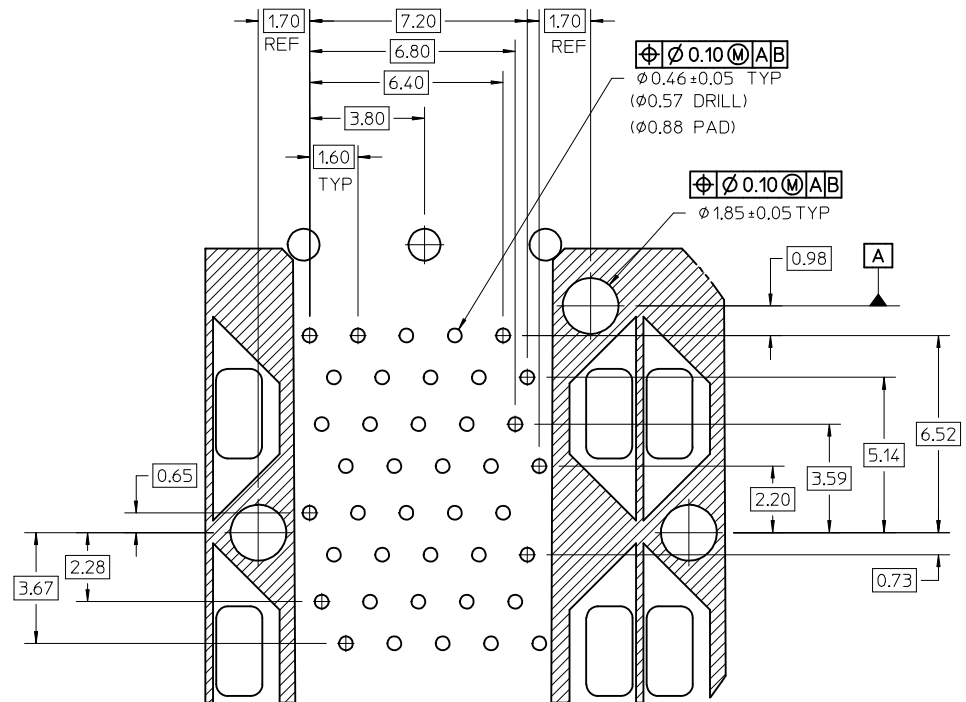
SEE SHEET 1 EC NO: UCP2016-3489 DRWNSVANG01 2016/03/07 CHKD:BBARKER 2016/03/07 APPR:SMILLER 2016/03/25	DESCRIPTION REV	QUALITY SYMBOLS	GENERAL TOLERANCES (UNLESS SPECIFIED)	DIMENSION STYLE MM ONLY	SCALE 3:1	DESIGN UNITS METRIC	THIRD ANGLE PROJECTION
		▽=0	mm INCH	DRAWN BY DATE TIBARRA 2012/08/09	TITLE STACKED SFP+ 2X4 ASS'Y W/ METAL EMI GASKET AND LIGHTPIPES, ENHANCED EMI	DOCUMENT NO. SD-76046-0003	SHEET NO. 3 OF 5
		▽=0	4 PLACES ± --- ± ---	CHECKED BY DATE BBARKER 2012/08/15			
		▽=0	3 PLACES ± --- ± ---	APPROVED BY DATE SMILLER 2012/08/28			
▽=0	2 PLACES ± 0.13 ± ---	MATERIAL NO.					
			1 PLACE ± 0.25 ± ---	SEE TABLE			
			0 PLACE ± ±	SIZE C			
			ANGULAR ± 5 °	THIS DRAWING CONTAINS INFORMATION THAT IS PROPRIETARY TO MOLEX INCORPORATED AND SHOULD NOT BE USED WITHOUT WRITTEN PERMISSION			
			DRAFT WHERE APPLICABLE MUST REMAIN WITHIN DIMENSIONS				





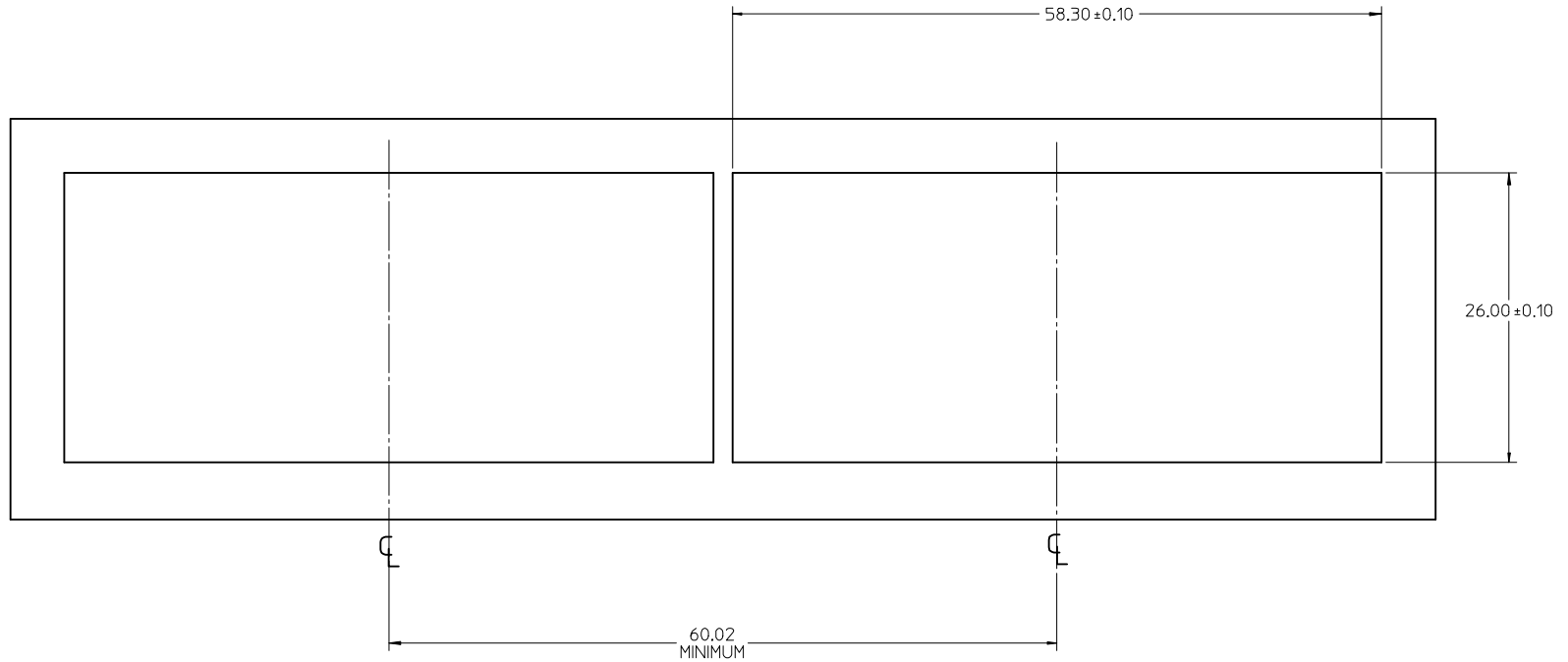
KEEPOUT ZONE DETAIL - LIGHTPIPE LOCATION AND OTHER ZONES  
SCALE 8:1

THE HATCHED AREA IN THIS VIEW INDICATES ZONES THAT ARE OCCUPIED BY THE PLASTIC HOUSING THAT SEATS AGAINST THE PCB AND BY THE VERTICAL METAL CAGE WALL THAT STOPS JUST SHORT OF THE PCB

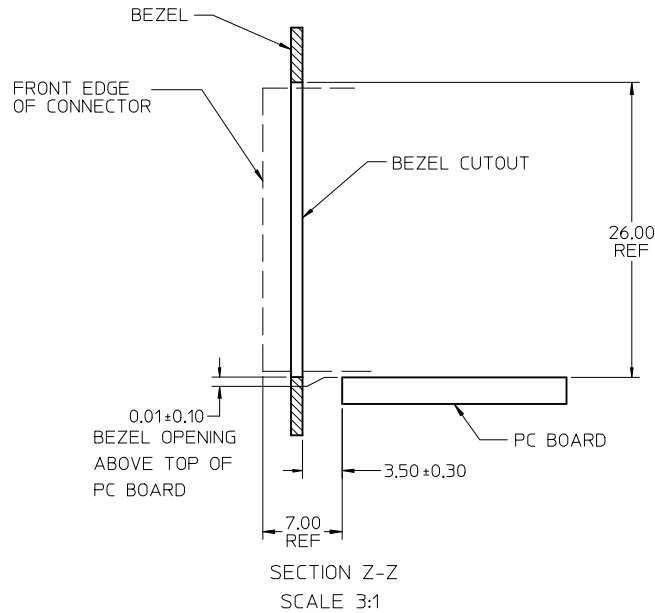


DETAIL B  
SCALE 8:1

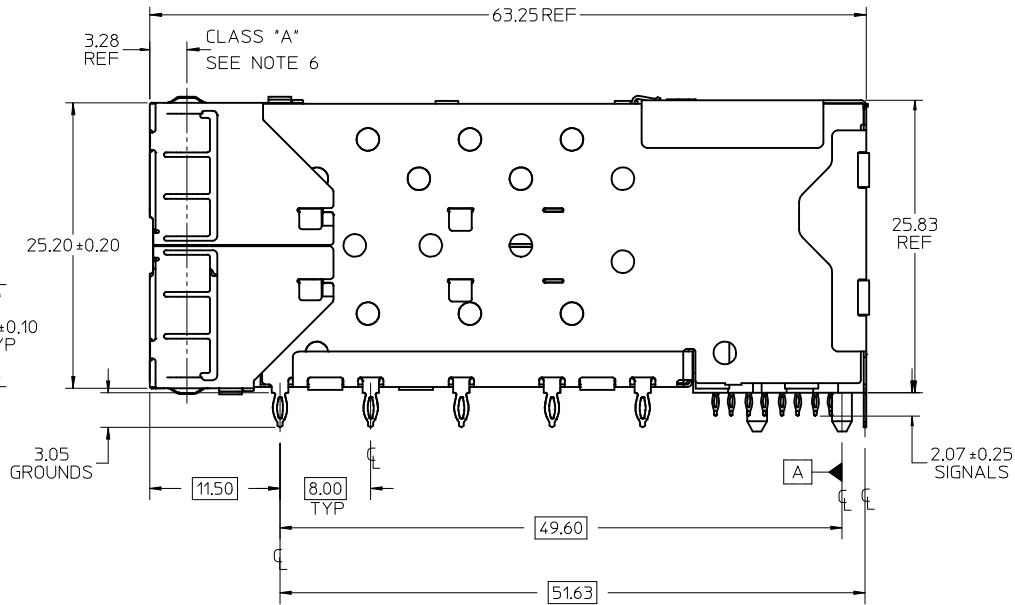
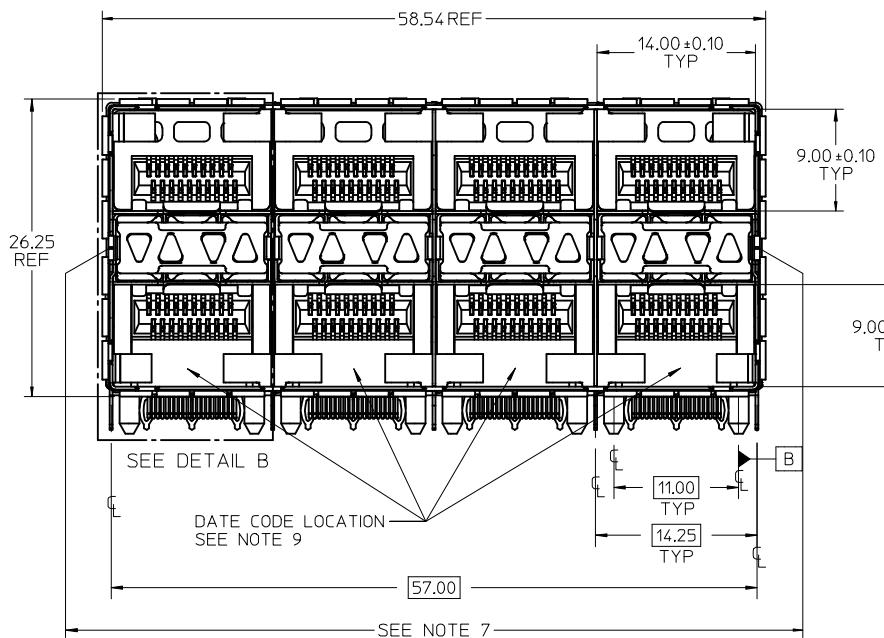
SEE SHEET 1 EC NO: UCP2016-3489 DRAWN BY: IDRWINSVANG01 2016/03/07 CHECKED BY: CHYKD:BBARKER 2016/03/07 APPROVED BY: JAPPR:SMILLER 2016/03/25	QUALITY SYMBOLS	GENERAL TOLERANCES (UNLESS SPECIFIED)	DIMENSION STYLE	SCALE	DESIGN UNITS	THIRD ANGLE PROJECTION
	▽=0	mm INCH	MM ONLY	8:1	METRIC	⊙
	▽=0	4 PLACES ± --- ± ---	DRAWN BY DATE	TIBARRA 2012/08/09	TITLE	STACKED SFP+ 2X4 ASS'Y W/ METAL EMI GASKET AND LIGHTPIPES, ENHANCED EMI <b>molex</b>
	▽=0	3 PLACES ± --- ± ---	CHECKED BY DATE	BBARKER 2012/08/15	DOCUMENT NO.	
▽=0	2 PLACES ± 0.13 ± ---	APPROVED BY DATE	SMILLER 2012/08/28	MATERIAL NO.	SHEET NO.	4 OF 5
	0 PLACE ± ±	ANGULAR ± 5 °	SEE TABLE	THIS DRAWING CONTAINS INFORMATION THAT IS PROPRIETARY TO MOLEX INCORPORATED AND SHOULD NOT BE USED WITHOUT WRITTEN PERMISSION		



BEZEL CUTOUT CENTER SPACING DETAIL  
BEZEL THICKNESS 0.8-2.6



SEE SHEET 1 EC NO: UCP2016-3489 2016/03/07 IDRW:SVANG01 2016/03/07 CHKD:BBARKER 2016/03/25 APPR:SMILLER	DESCRIPTION REV = 0 = 0 = 0	GENERAL TOLERANCES (UNLESS SPECIFIED)		DIMENSION STYLE <b>MM ONLY</b>		SCALE 3:1	DESIGN UNITS METRIC	THIRD ANGLE PROJECTION		
		4 PLACES ± --- ± ---	mm INCH	DRAWN BY TIBARRA	DATE 2012/08/09	TITLE STACKED SFP+ 2X4 ASS'Y W/ METAL EMI GASKET AND LIGHTPIPES, ENHANCED EMI <b>molex</b>				
		3 PLACES ± --- ± ---		CHECKED BY BBARKER	DATE 2012/08/15					
		2 PLACES ± 0.13 ± ---		APPROVED BY SMILLER		DATE 2012/08/28	DOCUMENT NO. SD-76046-0003		SHEET NO. 5 OF 5	
1 PLACE ± 0.25 ± ---		ANGULAR ± 5 °		SEE TABLE						
0 PLACE ± ±		DRAFT WHERE APPLICABLE MUST REMAIN WITHIN DIMENSIONS		SIZE C	THIS DRAWING CONTAINS INFORMATION THAT IS PROPRIETARY TO MOLEX INCORPORATED AND SHOULD NOT BE USED WITHOUT WRITTEN PERMISSION					

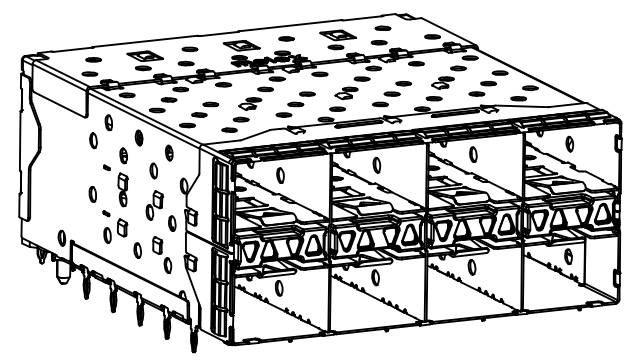


- NOTES**
- MATERIAL:**  
 CAGE: NICKEL SILVER, THICKNESS: 0.25mm  
 CONNECTOR HOUSING: GLASS FILLED LIQUID CRYSTAL POLYMER (LCP), UL 94V-0, COLOR: BLACK  
 OVERMOLD TERMINAL HOUSING: GLASS FILLED LIQUID CRYSTAL POLYMER (LCP), UL 94V-0, COLOR: BLACK  
 TERMINALS: TIN BRASS  
 EMI GASKET: PHOS-BRONZE  
 LIGHTPIPE HOUSING: ZINC  
 LIGHTPIPES: POLYCARBONATE, COLOR: CLEAR
  - FINISHES:**  
 TERMINALS: CONTACT AREA: 0.76 MICROMETERS MINIMUM HARD GOLD OVER 1.27 MICROMETERS MINIMUM NICKEL.  
 COMPLIANT TAIL - MATTE TIN/LEAD OPTION: 0.76 TO 1.52 MICROMETERS 90/10 MATTE TIN-LEAD OVER 0.76 MICROMETERS MINIMUM NICKEL.  
 COMPLIANT TAIL - MATTE TIN OPTION: 0.76 TO 1.52 MICROMETERS MATTE TIN OVER 0.76 MICROMETERS MINIMUM NICKEL.  
 LIGHTPIPE HOUSING: 80 MICROMETERS MINIMUM NICKEL OVER COPPER  
 EMI GASKET: 2.54 MICROMETERS MINIMUM NICKEL OVERALL.
  - REFER TO PS-75310-001 PRODUCT SPEC FOR ALL ELECTRICAL, MECHANICAL, AND ENVIRONMENTAL SPECIFICATIONS.
  - LIGHTPIPE PAD LAYOUT IS FOR 0805 LOW-PROFILE LED PACKAGE, FOR OTHER RECOMMENDED LAYOUTS REFER TO MOLEX'S REPORT TS-75310-001.
  - REFER TO PK-75450-001 FOR ALL PACKAGING SPECIFICATIONS.
  - THE SURFACES CONFORM TO THE MOLEX COSMETIC SPEC PS-45499-002. ALL EXTERIOR SURFACES TO BE CLASS 'B' SURFACE EXCEPT THE UNDERSIDE (CLASS 'C') OF THE CAGE (SIDE TOWARD THE PCB) AND AS OTHERWISE NOTED.
  - THE OVERALL CAGE WIDTH AT THE VERTICAL CENTER OF THE FRONT EDGE WILL FALL WITHIN THIS DIMENSION: 57.80±0.30 MM, THIS PORTION OF THE CAGE WILL FLEX INWARD AS THE CAGE IS BEING INSERTED INTO THE BEZEL OPENING.
  - REFER TO AS-76090-001 FOR HIGH SPEED ROUTING RECOMMENDATIONS.
  - DATE CODE LOCATION IS SHOWN ABOVE.  
 DATE CODE FORMAT: DDDY MX A1  
 DDD = DAY OF THE YEAR  
 Y = YEAR  
 MX = MOLEX  
 A = ALPHA CHARACTER - INDICATES MANUFACTURING LINE  
 1 = NUMERIC CHARACTER - INDICATES PRODUCTION SHIFT

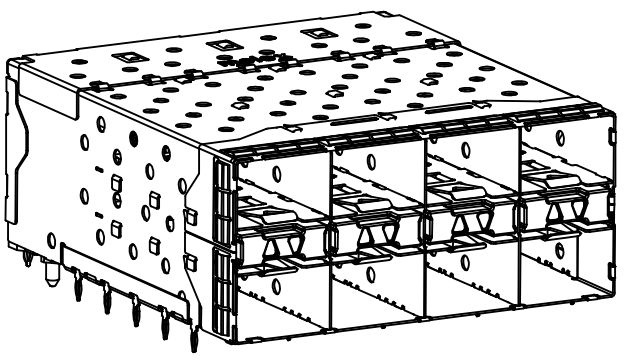
PART NUMBER	DESCRIPTION	VIEW	COMPLIANT TAIL PLATING
760460001	4 LIGHT PORTS	SEE PG 2	MATTE TIN / LEAD
760460002	INNER 2 PORTS	SEE PG 2	MATTE TIN / LEAD
760460003	OUTER 2 PORTS	SEE PG 2	MATTE TIN / LEAD
760465001	4 LIGHT PORTS	SEE PG 2	MATTE TIN
760465002	INNER 2 PORTS	SEE PG 2	MATTE TIN
760465003	OUTER 2 PORTS	SEE PG 2	MATTE TIN

<b>REV. NOTE 1 &amp; 2 FOR EMI</b> EC NO: UCP2016-3489 DRW:VANG01 2016/03/07 CHKD:BBARKER 2016/03/07 APPR:SMILLER 2016/03/25	QUALITY SYMBOLS ▽=0 ▽=0 ▽=0	GENERAL TOLERANCES (UNLESS SPECIFIED)		DIMENSION STYLE <b>MM ONLY</b>		SCALE <b>3:1</b>	DESIGN UNITS <b>METRIC</b>	THIRD ANGLE PROJECTION	
		4 PLACES ± --- ± ---	3 PLACES ± --- ± ---	2 PLACES ± 0.13 ± ---	1 PLACE ± 0.25 ± ---	0 PLACE ± ±	DRAWN BY MSANDBERG	DATE 1-26-2006	<b>STACKED SFP+ 2X4 ASS'Y WITH METAL EMI GASKET AND LIGHTPIPES</b> 
		ANGULAR ± 5 °					CHECKED BY JLONG	DATE 1-26-2006	
		DRAFT WHERE APPLICABLE MUST REMAIN WITHIN DIMENSIONS					APPROVED BY RNELSON	DATE 1-26-2006	
SEE TABLE			MATERIAL NO. SD-76046-001		DOCUMENT NO.		SHEET NO. 1 OF 5		

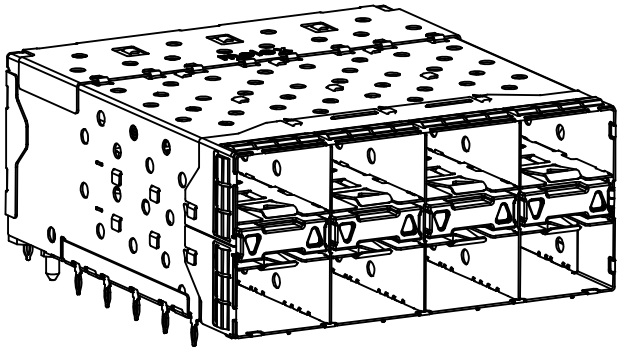
THIS DRAWING CONTAINS INFORMATION THAT IS PROPRIETARY TO MOLEX INCORPORATED AND SHOULD NOT BE USED WITHOUT WRITTEN PERMISSION



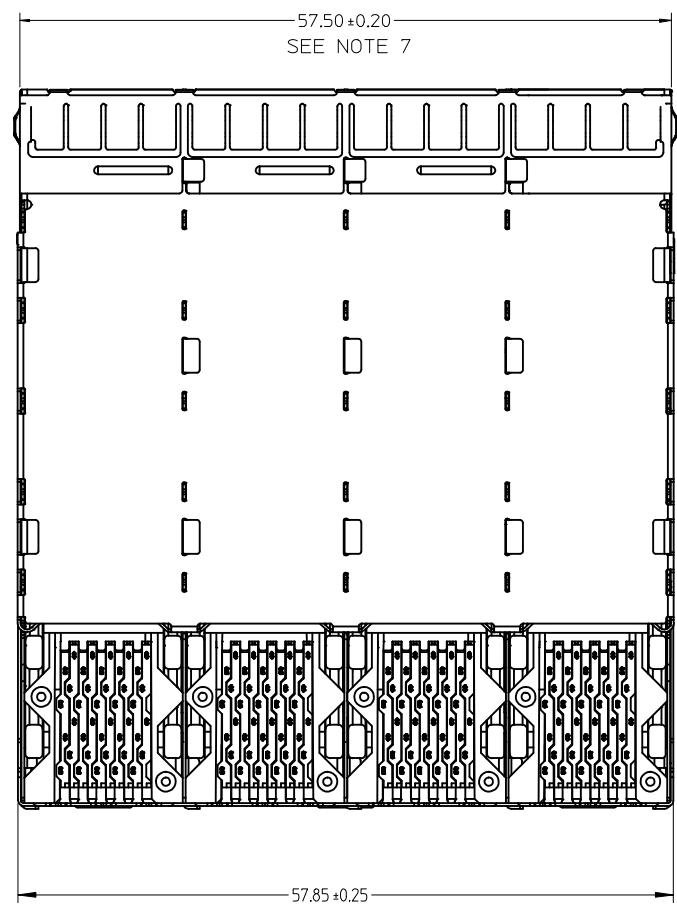
760460001 AND 760465001  
WITH INNER AND OUTER LIGHTPIPES



760460002 AND 760465002  
WITH INNER LIGHTPIPES



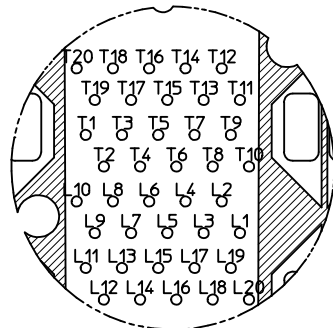
760460003 AND 760465003  
WITH OUTER LIGHTPIPES



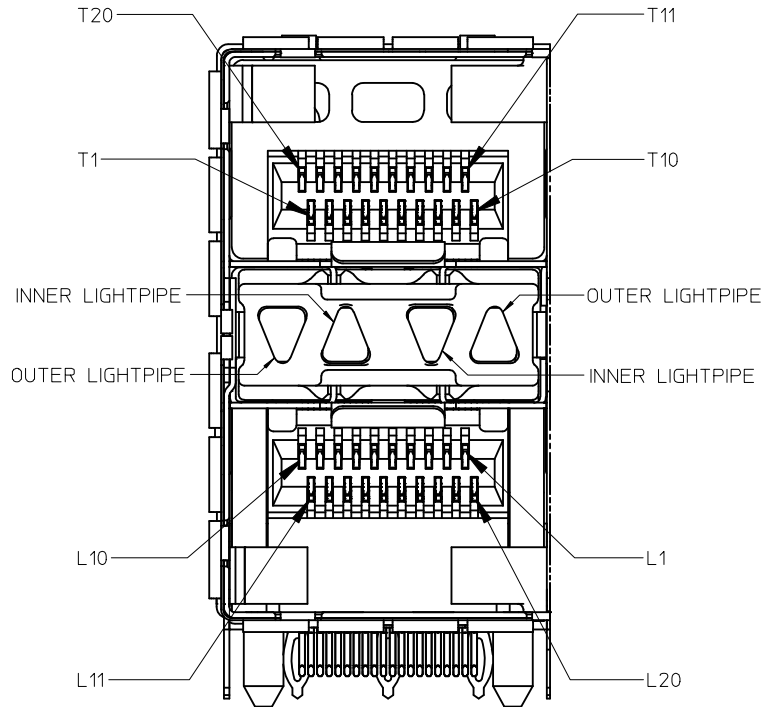
57.50 ± 0.20  
SEE NOTE 7

57.85 ± 0.25

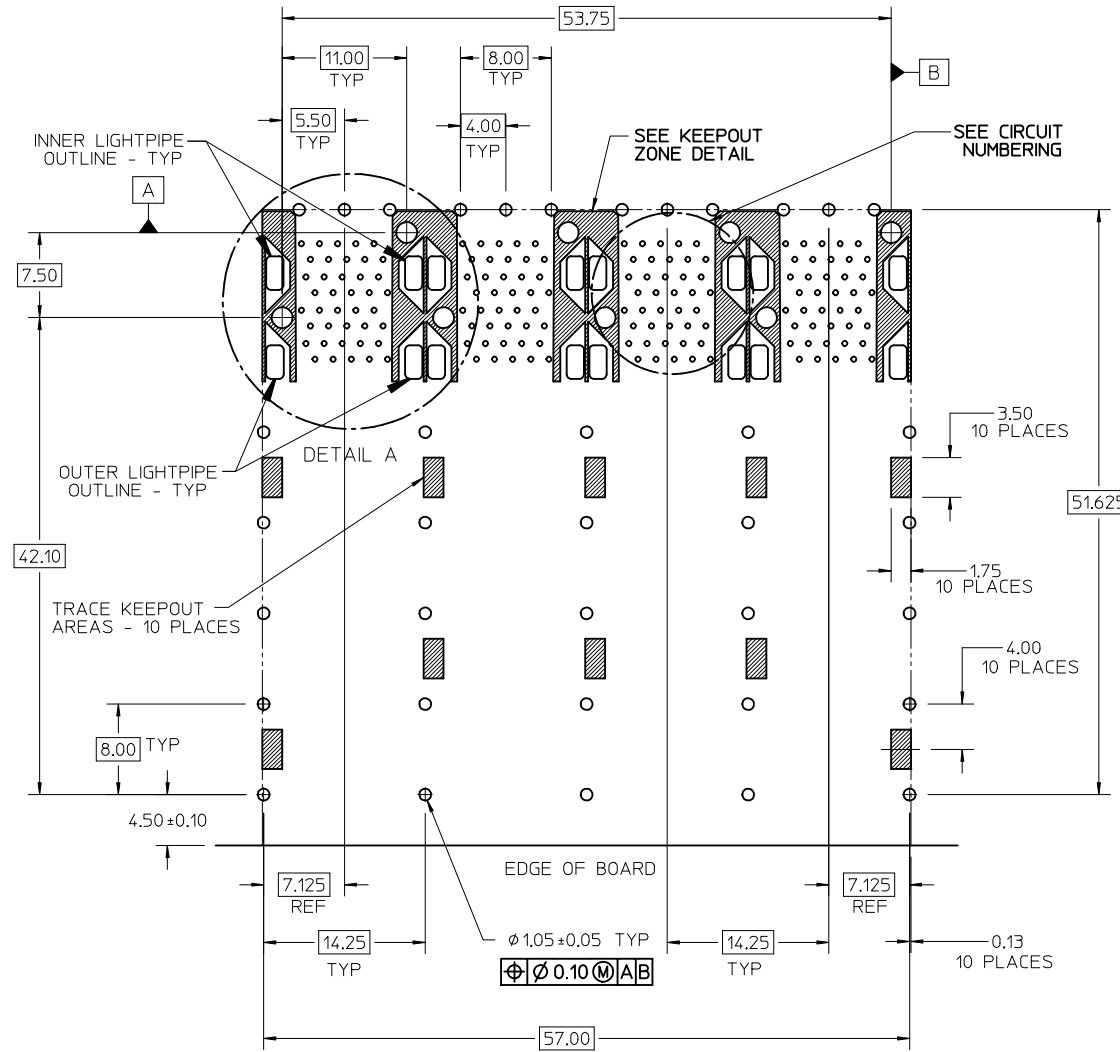
<b>SEE SHEET 1</b> EC NO: UCP2016-3489 DRWNS:VANG01 2016/03/07 CHKD:BBARKER 2016/03/07 APPR:SMILLER 2016/03/25	QUALITY SYMBOLS	GENERAL TOLERANCES (UNLESS SPECIFIED)		DIMENSION STYLE	SCALE	DESIGN UNITS	THIRD ANGLE PROJECTION	
	▽=0	mm	INCH	MM ONLY	3:1	METRIC		
	▽=0	4 PLACES ± ---	± ---	DRAWN BY	DATE	<b>STACKED SFP+ 2X4 ASS'Y WITH METAL EMI GASKET AND LIGHTPIPES</b>  <b>molex</b> DOCUMENT NO. SD-76046-001 SHEET NO. 2 OF 5		
	▽=0	3 PLACES ± ---	± ---	CHECKED BY	DATE			
	▽=0	2 PLACES ± 0.13	± ---	JLONG	1-26-2006			
	1 PLACE ± 0.25	± ---	APPROVED BY	DATE				
	0 PLACE ±	±	RNELSON	1-26-2006				
		ANGULAR ± 5 °		MATERIAL NO.				
		DRAFT WHERE APPLICABLE MUST REMAIN WITHIN DIMENSIONS		SIZE	SEE TABLE			
		THIS DRAWING CONTAINS INFORMATION THAT IS PROPRIETARY TO MOLEX INCORPORATED AND SHOULD NOT BE USED WITHOUT WRITTEN PERMISSION						



CIRCUIT NUMBERING  
COMPONENT SIDE OF BOARD  
SCALE 6:1



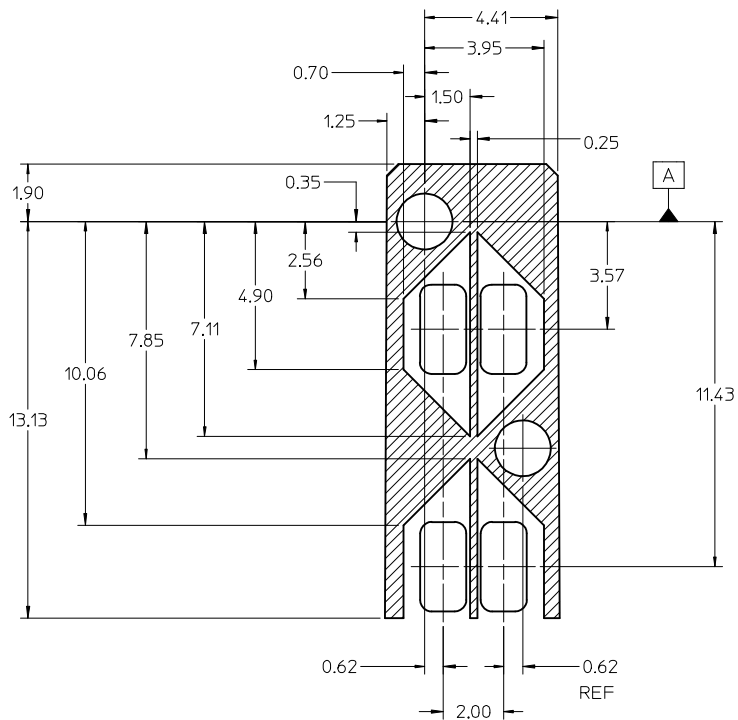
DETAIL B  
SCALE 6:1  
CIRCUIT NUMBERING  
AND LIGHTPIPE  
IDENTIFICATION



RECOMMENDED PCB LAYOUT - COMPONENT SIDE  
RECOMMENDED PCB THICKNESS - 2.36 MM (.093 INCH)

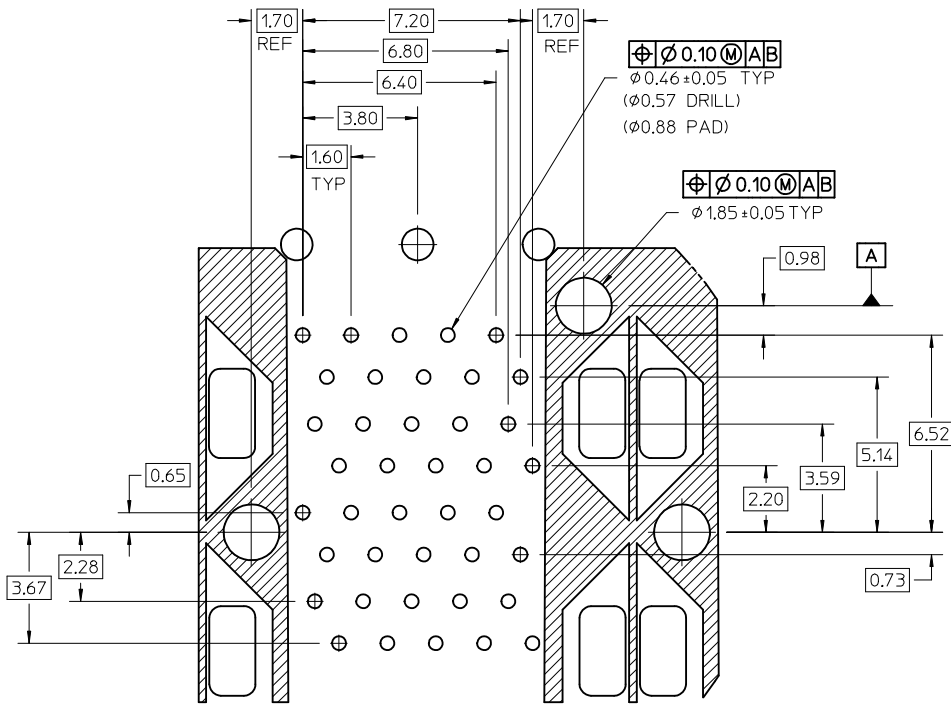
THE ENTIRE AREA OF THE CONNECTOR FOOTPRINT  
TO BE CONSIDERED THE KEEP OUT AREA FOR COMPONENTS  
(OTHER THAN THE LIGHTPIPE LED'S)  
THIS AREA IS INDICATED BY THE DASHED LINE

SEE SHEET 1 EC NO: UCP2016-3489 DRAWN BY: MSANDBERG CHECKED BY: JLONG APPROVED BY: RNELSON MATERIAL NO. DOCUMENT NO. SD-76046-001 SHEET NO. 3 OF 5	REV DESCRIPTION 1 2 3	QUALITY SYMBOLS ▽=0 ▽=0 ▽=0	GENERAL TOLERANCES (UNLESS SPECIFIED)		DIMENSION STYLE MM ONLY		SCALE 3:1	DESIGN UNITS METRIC	THIRD ANGLE PROJECTION
			mm	INCH	DRAWN BY MSANDBERG	DATE 1-26-2006	TITLE STACKED SFP+ 2X4 ASS'Y WITH METAL EMI GASKET AND LIGHTPIPES	molex	THIS DRAWING CONTAINS INFORMATION THAT IS PROPRIETARY TO MOLEX INCORPORATED AND SHOULD NOT BE USED WITHOUT WRITTEN PERMISSION
4 PLACES	± ---	± ---	3 PLACES	± ---	± ---	CHECKED BY JLONG	DATE 1-26-2006		
2 PLACES	± 0.13	± ---	1 PLACE	± 0.25	± ---	APPROVED BY RNELSON	DATE 1-26-2006	MATERIAL NO. DOCUMENT NO. SD-76046-001	
0 PLACE	±	±	ANGULAR ± 5 °		SEE TABLE		MATERIAL NO. DOCUMENT NO. SD-76046-001		
DRAFT WHERE APPLICABLE MUST REMAIN WITHIN DIMENSIONS			SIZE C		THIS DRAWING CONTAINS INFORMATION THAT IS PROPRIETARY TO MOLEX INCORPORATED AND SHOULD NOT BE USED WITHOUT WRITTEN PERMISSION				



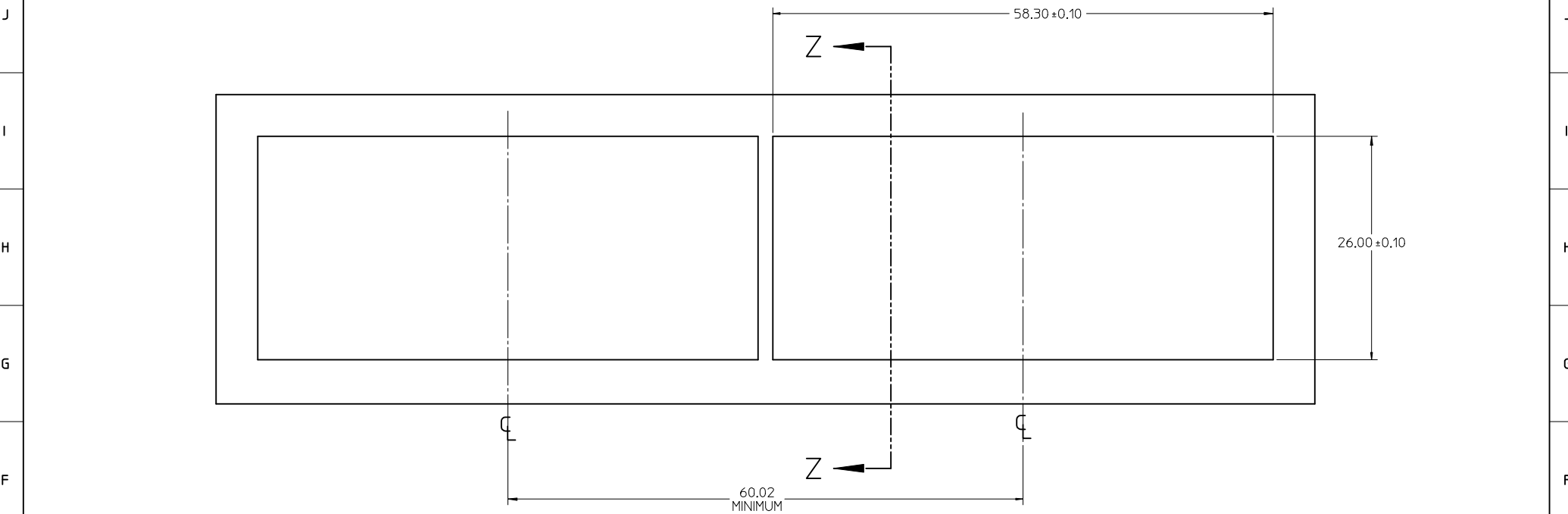
KEEPOUT ZONE DETAIL - LIGHTPIPE LOCATION AND OTHER ZONES  
SCALE 8:1

THE HATCHED AREA IN THIS VIEW INDICATES ZONES THAT ARE OCCUPIED BY THE PLASTIC HOUSING THAT SEATS AGAINST THE PCB AND BY THE VERTICAL METAL CAGE WALL THAT STOPS JUST SHORT OF THE PCB

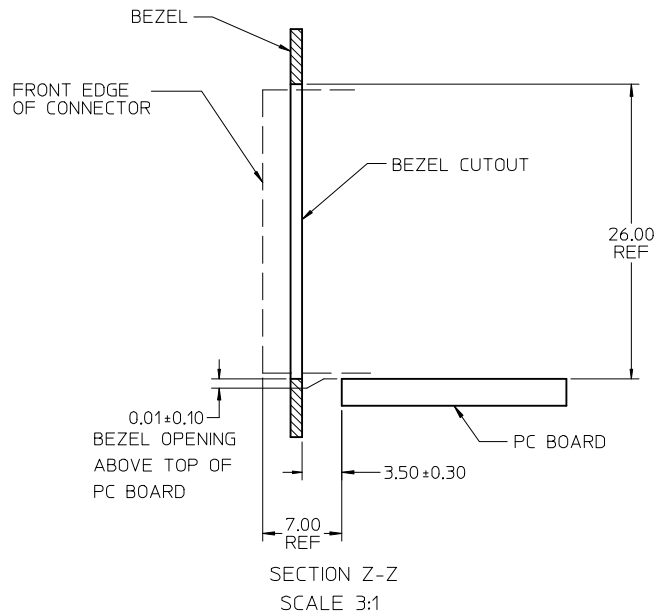


DETAIL A  
SCALE 8:1

SEE SHEET 1 EC NO: UCP2016-3489 DRAWN BY: 2016/03/07 MSANDBERG CHECKED BY: 2016/03/07 JLONG APPROVED BY: 2016/03/25 RNELSON	DESCRIPTION DRWNS:YANG01 CHKD:BBARKER APPR:SMILLER	QUALITY SYMBOLS ▽=0 ▽=0 ▽=0	GENERAL TOLERANCES (UNLESS SPECIFIED)		DIMENSION STYLE MM ONLY	SCALE 8:1	DESIGN UNITS METRIC	THIRD ANGLE PROJECTION
			mm	INCH	DRAWN BY MSANDBERG	DATE 1-26-2006	TITLE STACKED SFP+ 2X4 ASS'Y WITH METAL EMI GASKET AND LIGHTPIPES	
4 PLACES ± --- ± ---			3 PLACES ± --- ± ---		CHECKED BY JLONG		DATE 1-26-2006	
2 PLACES ± 0.13 ± ---			1 PLACE ± 0.25 ± ---		APPROVED BY RNELSON		DATE 1-26-2006	
0 PLACE ± ±			ANGULAR ± 5 °		MATERIAL NO.		DOCUMENT NO.	
DRAFT WHERE APPLICABLE MUST REMAIN WITHIN DIMENSIONS			SEE TABLE		SD-76046-001		SHEET NO. 4 OF 5	
THIS DRAWING CONTAINS INFORMATION THAT IS PROPRIETARY TO MOLEX INCORPORATED AND SHOULD NOT BE USED WITHOUT WRITTEN PERMISSION								



BEZEL CUTOUT CENTER SPACING DETAIL  
BEZEL THICKNESS 0.8-2.6



SEE SHEET 1 EC NO: UCP2016-3489 DRWNS:VANG01 2016/03/07 CHKD:BBARKER 2016/03/07 APPR:SMILLER 2016/03/25	QUALITY SYMBOLS ∇=0 ∇=0 ∇=0	GENERAL TOLERANCES (UNLESS SPECIFIED)		DIMENSION STYLE <b>MM ONLY</b>		SCALE <b>3:1</b>	DESIGN UNITS METRIC	THIRD ANGLE PROJECTION		
		4 PLACES ± ---	± ---	DRAWN BY	DATE	TITLE <b>STACKED SFP+ 2X4 ASS'Y WITH METAL EMI GASKET AND LIGHTPIPES</b>				
		3 PLACES ± ---	± ---	CHECKED BY	DATE					
		2 PLACES ± 0.13	± ---	JLONG	1-26-2006	MATERIAL NO. <b>SEE TABLE</b>				
1 PLACE ± 0.25	± ---	APPROVED BY	DATE							
0 PLACE ±	±	RNELSON	1-26-2006	DRAFT WHERE APPLICABLE MUST REMAIN WITHIN DIMENSIONS		DOCUMENT NO. <b>SD-76046-001</b>		SHEET NO. <b>5 OF 5</b>		
THIS DRAWING CONTAINS INFORMATION THAT IS PROPRIETARY TO MOLEX INCORPORATED AND SHOULD NOT BE USED WITHOUT WRITTEN PERMISSION										