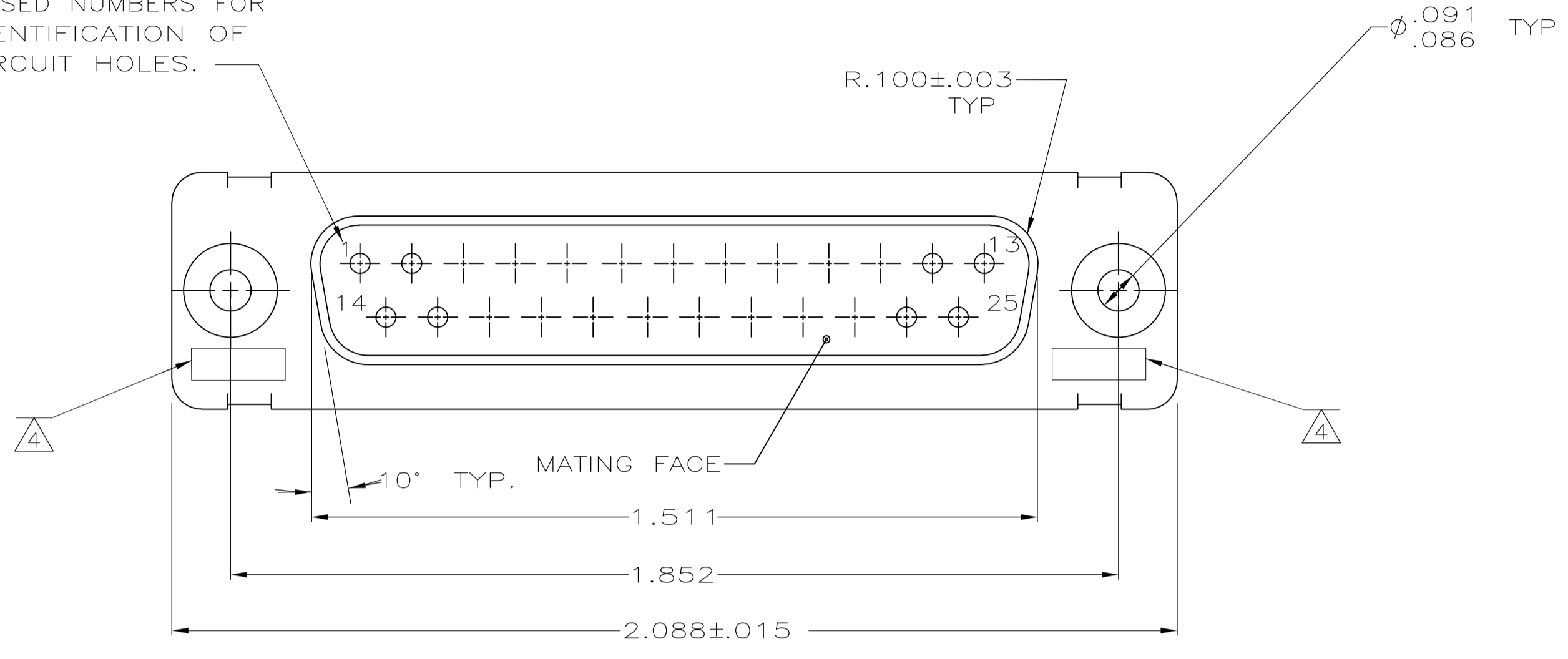
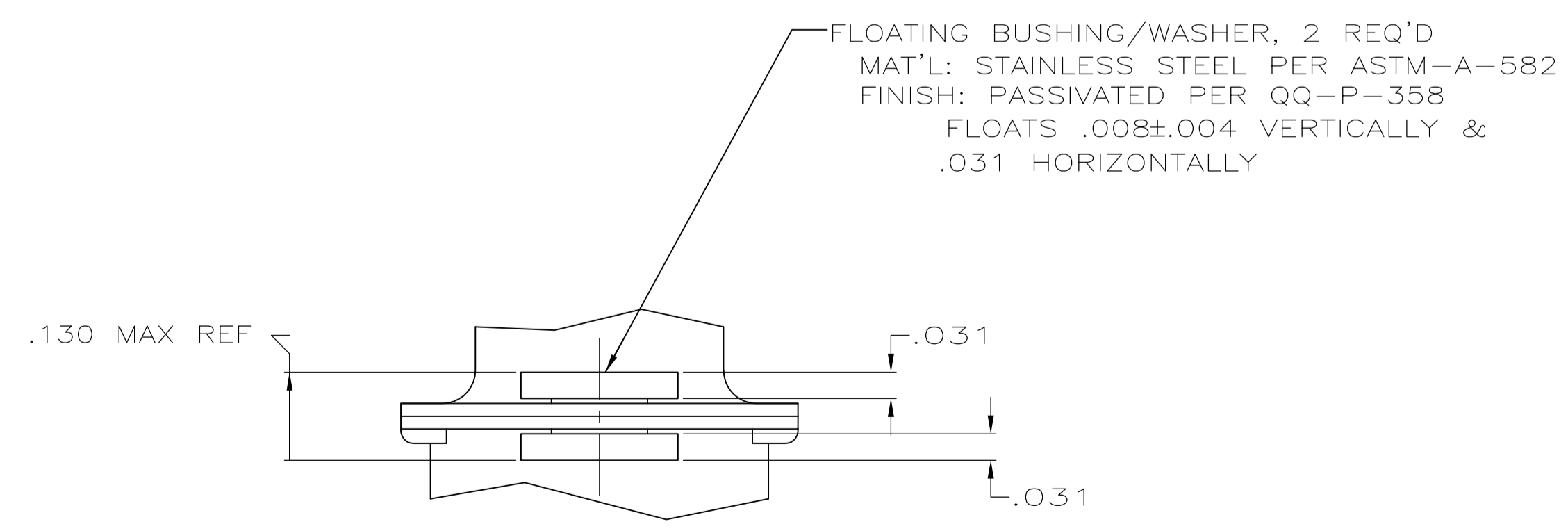
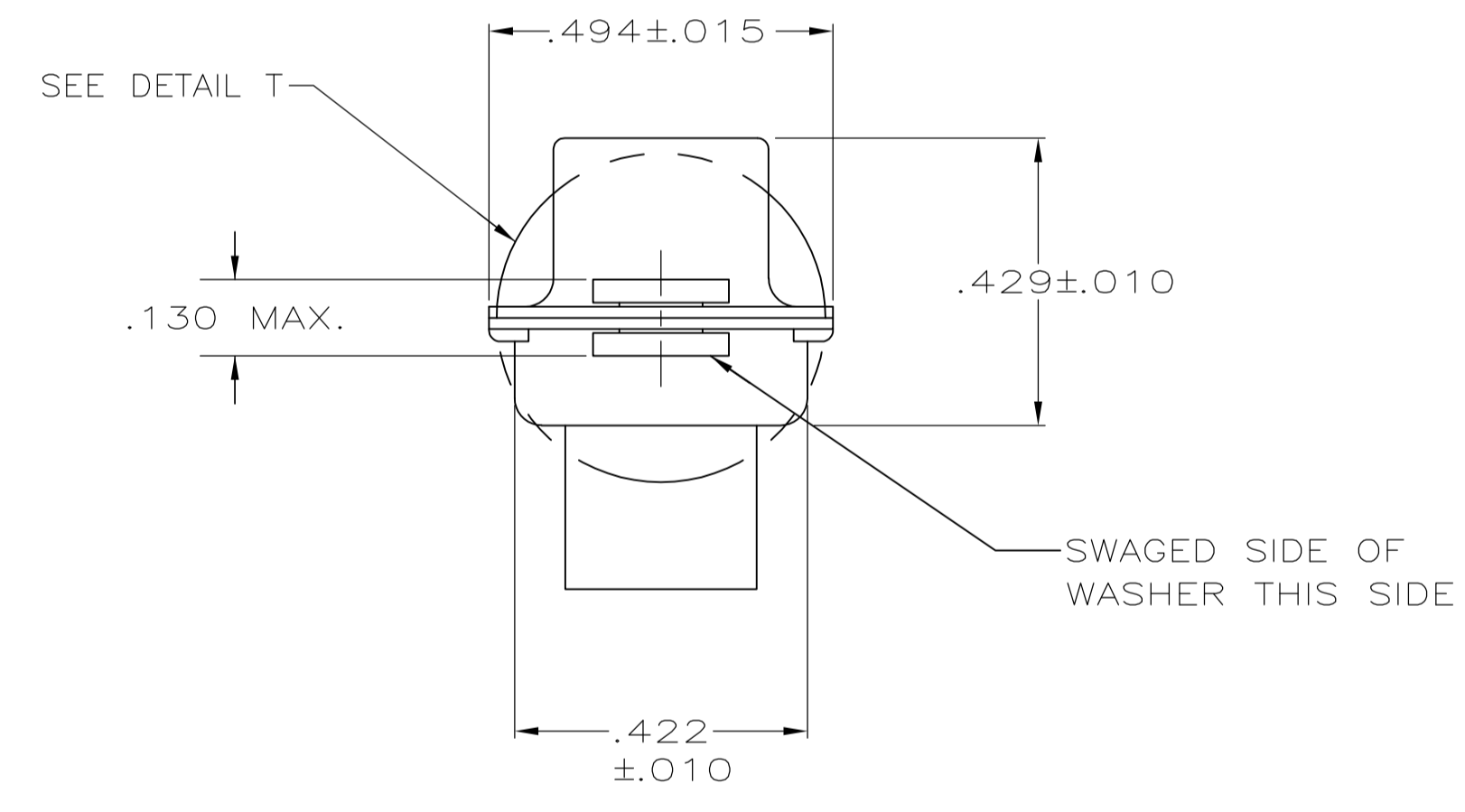
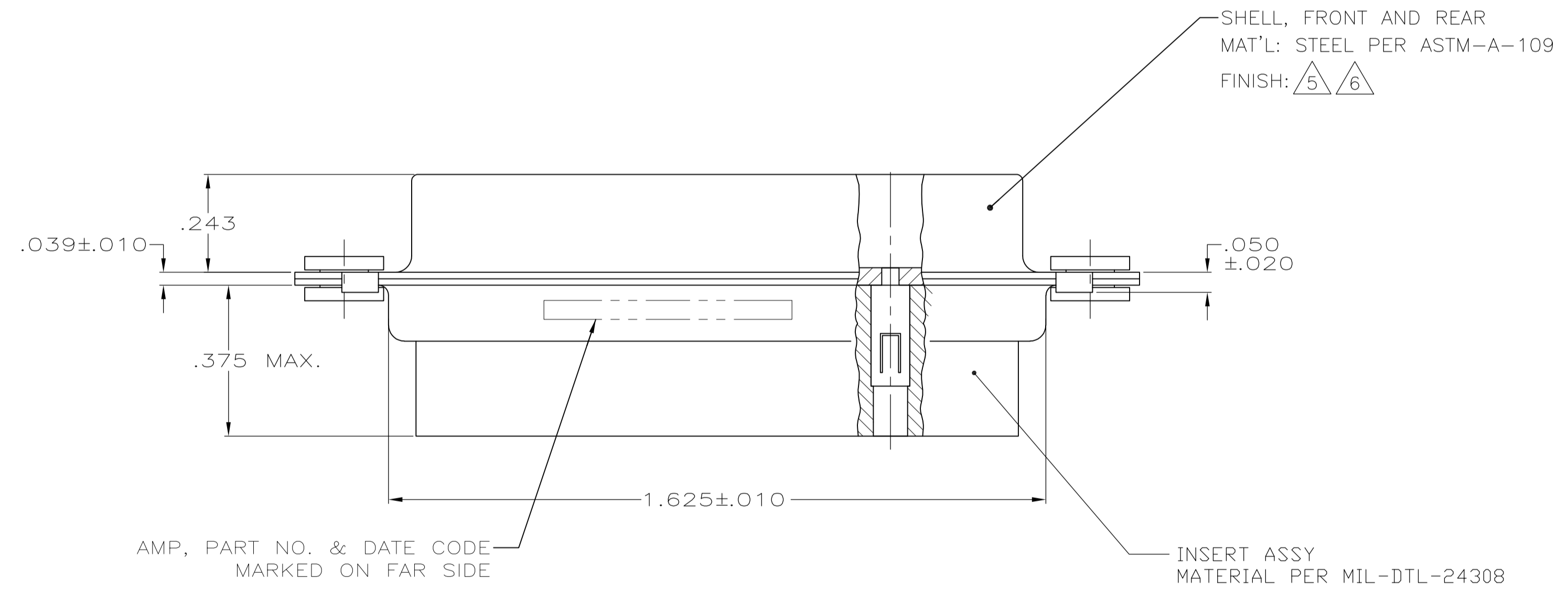


LOC		DIST		REVISIONS			
P	LTR	DESCRIPTION	DATE	DMN	APVD		
B		REV PER ECO 15-005907	5-18-15	CT	DM		

RAISED NUMBERS FOR IDENTIFICATION OF CIRCUIT HOLES.



1. MAXIMUM WIRE INSULATION TO BE USED WITH THIS PLUG IS .068 DIA.
 2. STAINLESS STEEL RETENTION CLIPS ARE INCLUDED IN INSERTS.
 3. THIS PLUG WILL ACCEPT SIZE 20 PIN CONTACT M39029/64-369 OR AMP PART NUMBER 205089-1.
- 4. UL/CSA DESIGNATION MARKED IN THIS AREA, OPTIONAL
 - 5. FINISH: CADMIUM PER QQ-P-416
 - 6. FINISH: ZINC PLATED PER ASTM-B-633, .000200-.000400 THK WITH SUPPLEMENTARY CHROMATE (Cr3+)



DETAIL T
SCALE 6:1

PLATED PER 6	5-1484949-1
PLATED PER 5	1484949-1
DESCRIPTION	PART NUMBER

THIS DRAWING IS A CONTROLLED DOCUMENT.		DIN C.C.THOMAS 8-28-02	TE Connectivity	
DIMENSIONS: INCHES		CHK D.MILLER 8-28-02	NAME	
TOLERANCES UNLESS OTHERWISE SPECIFIED:		APVD D.MILLER 8-28-02	RCPT. ASSEMBLY,AMPLIMITE 25 POSN,SIZE 3, SERIES 109 BLINDMATE, REVERSE GENDER	
0. PLC ± -	1. PLC ± -	PRODUCT SPEC	SIZE	CAGE CODE
2. PLC ± -	3. PLC ± .005	APPLICATION SPEC	A1	00779
4. PLC ± -	ANGLES ± # 0° 30'	WEIGHT	1484951	RESTRICTED TO
MATERIAL SEE CALLOUTS	FINISH SEE CALLOUTS	CUSTOMER DRAWING	SCALE 4:1	SHEET 1 OF 1 REV B