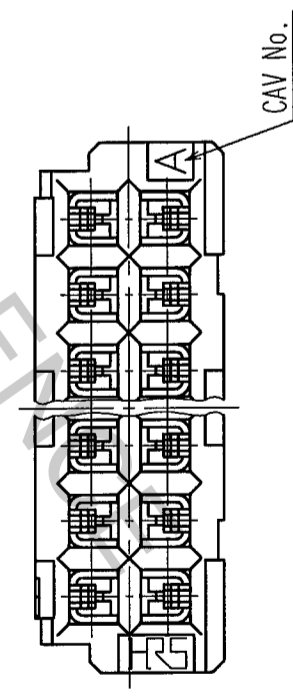
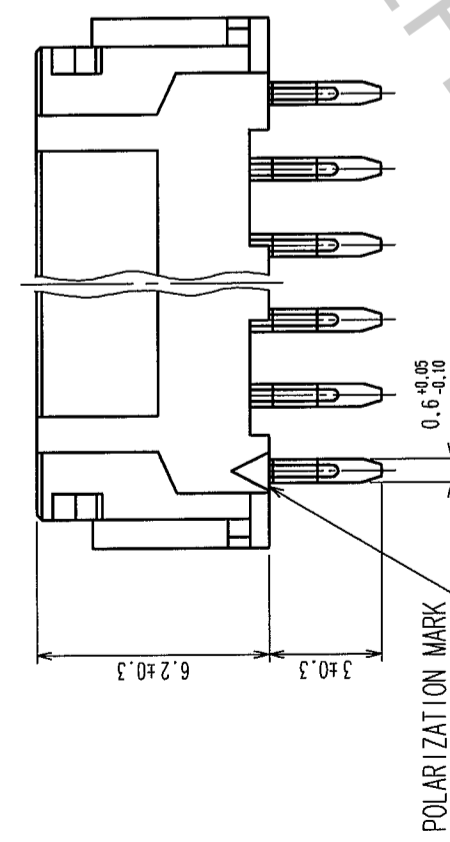
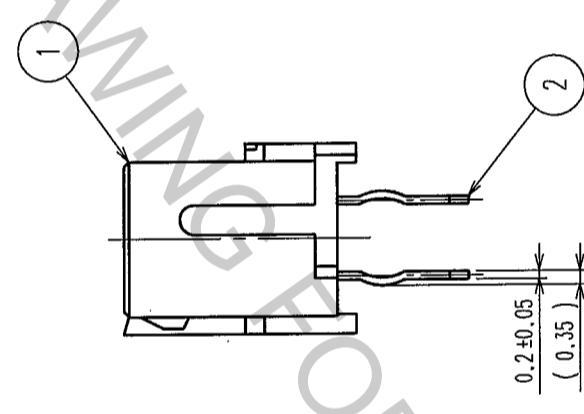
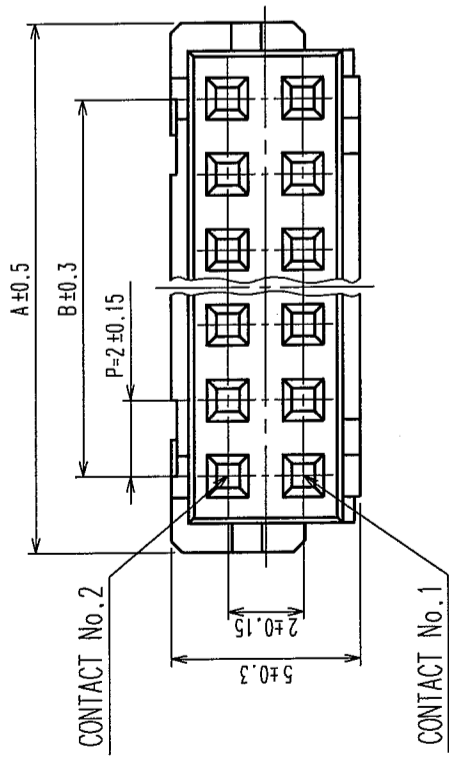


5	6	7	8
COUNT	DESCRIPTION OF REVISIONS	BY	CHKD
△			
△			
△			



CODE No.	PART No.	NUMBER OF CONTACT	A	B
543-0553-9-05	DF11-6DS-2DSA(05)	6	8.0	4.0
543-0554-1-05	DF11-8DS-2DSA(05)	8	10.0	6.0
543-0555-4-05	DF11-10DS-2DSA(05)	10	12.0	8.0
543-0556-7-05	DF11-12DS-2DSA(05)	12	14.0	10.0
543-0557-0-05	DF11-14DS-2DSA(05)	14	16.0	12.0
543-0558-2-05	DF11-16DS-2DSA(05)	16	18.0	14.0
543-0559-5-05	DF11-18DS-2DSA(05)	18	20.0	16.0
543-0560-4-05	DF11-20DS-2DSA(05)	20	22.0	18.0
543-0561-7-05	DF11-22DS-2DSA(05)	22	24.0	20.0
543-0562-0-05	DF11-24DS-2DSA(05)	24	26.0	22.0
543-0563-2-05	DF11-26DS-2DSA(05)	26	28.0	24.0
543-0564-5-05	DF11-28DS-2DSA(05)	28	30.0	26.0
543-0565-8-05	DF11-30DS-2DSA(05)	30	32.0	28.0
543-0566-0-05	DF11-32DS-2DSA(05)	32	34.0	30.0

NOTES 1: RECOMMENDED PC BOARD HOLE DIAMETER  $\phi 0.8^{+0.1}_{-0}$   
 2: THE DIMENSION OF PROSITY OF KINK  $\phi 0.8^{+0.05}_{-0}$

1	POLYAMIDE	UL94V-0, BLACK	2	BRASS	TIN PLATED 2 $\mu$ m min
NO.	MATERIAL	FINISH, REMARKS	NO.	MATERIAL	FINISH, REMARKS
CODE NO. (OLD)			DRAWN	DESIGNED	CHECKED
			F. Matsuki	H. Umemura	T. Miyagaki
			'04.03.30	'04.03.30	'04.03.31
					J. Chua
					04.03.31
					APPROVED
					RELEASED
DRAWING NO.	EDC3-162401-01		PART NO.	DF11-*DS-2DSA(05)	
SCALE	5 : 1		CODE NO.	CL543-	
UNITS	mm				

TO			
----	--	--	--