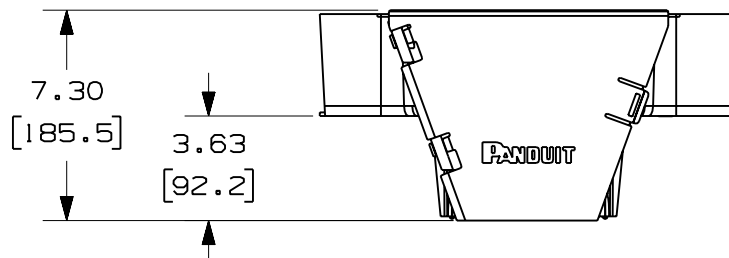
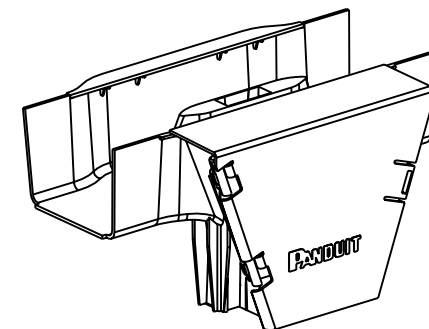
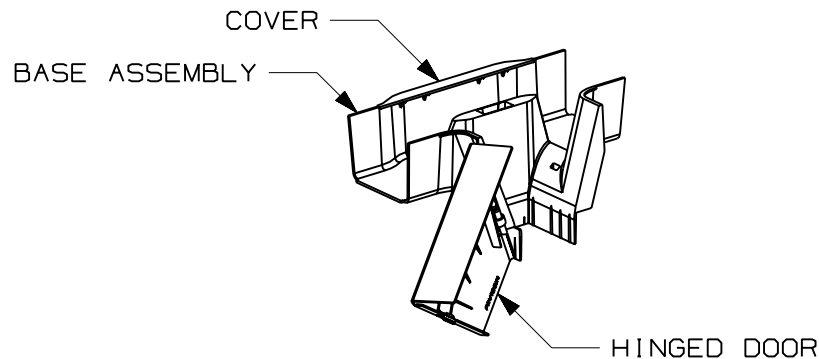


PANDUIT PART NUMBER	WEIGHT
FRVT4X4	1.97 LB/EACH (893g/EACH)



NOTES:

- SEE CURRENT CATALOG FOR ADDITIONAL PART SUFFIXES TO INDICATE COLOR AND/OR PACKAGE QUANTITY.
- THE FIBERRUNNER 4x4 QUIKLOCK VERTICAL TEE FITTING INCLUDES:
ONE (1) QUIKLOCK VERTICAL TEE BASE ASSEMBLY,
ONE (1) QUIKLOCK VERTICAL TEE COVER,
ONE (1) HINGED DOOR
- DIMENSIONS IN PARENTHESES ARE IN METRIC.



ENG. REF.: D37847DE_DC_FRVT4X4_02.prt

CAD FILENAME/LAYERS

G FRVT4X4.pdf

PANDUIT CORP TINLEY PARK, ILLINOIS
FIBERRUNNER 4x4 QUIKLOCK VERTICAL TEE FITTING (FRVT4X4)
 F CUSTOMER DRAWING

UNLESS OTHERWISE SPECIFIED,
 DIMENSIONAL TOLERANCES ARE:
 (.X) ± (.XXX) ±
 (.XX) ± .03 (.8) ANGLES ±

UNLESS OTHERWISE SPECIFIED,
 ALL DIMENSIONS ARE GIVEN IN
 INCHES, THIRD ANGLE PROJECTION.

DRAWN BY: JHNU
 DATE: 7-19-01
 CHK'D: WAB

MAT'L:

ABS

SCALE: NONE
 DRAWING NO.: 37847-72
 DWG SIZE: A

REV	DATE	BY	CHK	DESCRIPTION	ECN	R	CUST	SUP	GMBH
-	-----	---	---	I. REVISED GENERAL NOTES	-----	--	--		
-	-----	---	---	H. REVISED PART WEIGHT G. REVISED CAD FILENAME	-----	--	--		
3	7-24-06	DTP	RN	F. REVISED DRAWING TITLE E. REVISED AND REDRAWN	37847-72	RN	RN		