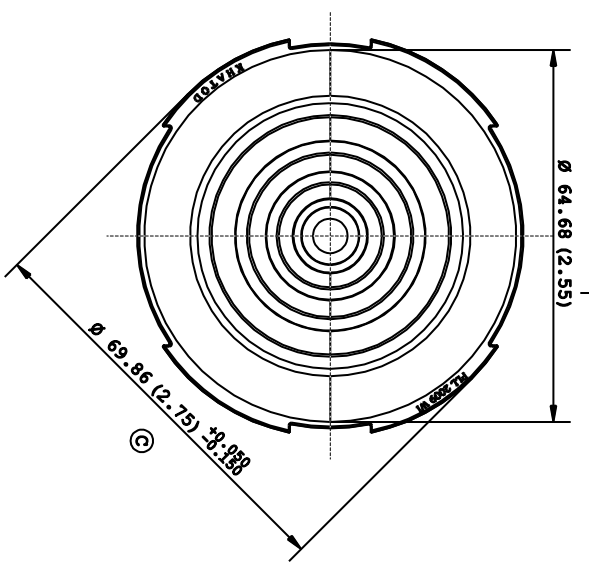
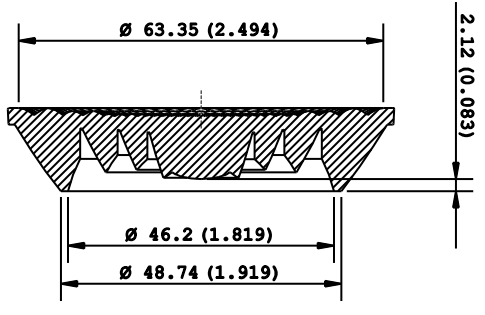


I-I

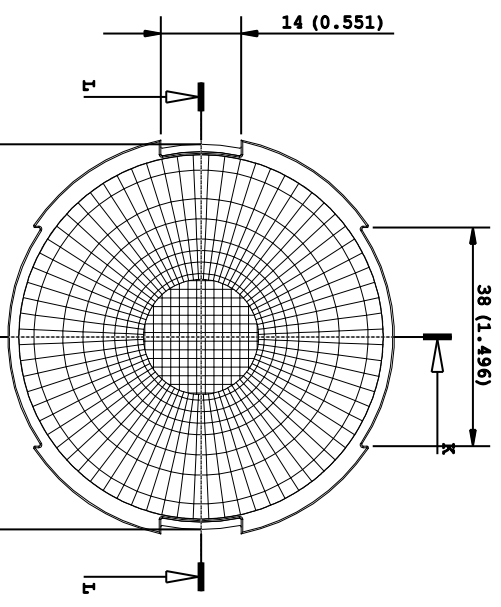
0 (0)
2.87 (0.113)
3.03 (0.119)
14.43 (0.568) ±0.100



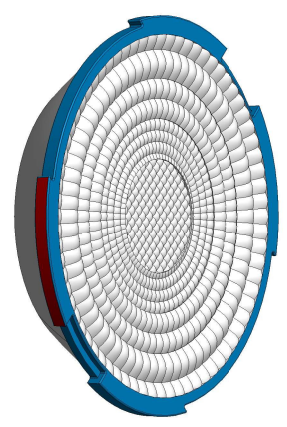
Ⓢ



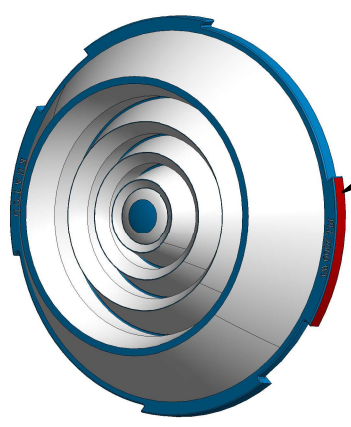
K-K



Ⓢ



Gate area: see note



- Note:**
- Dimensions in inches into brackets
 - For missing dimensions see 3D file
 - WHITE surfaces: mirror polished
 - BLUE surfaces: embossed 25/27 VDI
 - RED surface: available area for gate material.
 - Sink mark injection will be present
 - Ⓢ : Quality Control Dimension (QCD)

Project and design owned by Khatorod OYPOYKPAKTOPOBIC a. s. r. l. The technical solutions adopted in this design are Khatorod Intellectual property, they cannot be reproduced and transmitted to third parties without our prior written permission. Unauthorized disclosure of confidential proprietary information will be prosecuted by law.

DESCRIPTION : Fresnel lens REVISION : 1M/JS PROVIDER : Bassett	
CODE : P11 2009 WI ALL DIMENSIONS IN MM	DRAWN : 1M CHECKED : JS DATE : 05/12/2016
GENERAL TOLERANCES +/- 0.20 MM KHATOD VIA Montalcostrada, 41 Chianello Bialand ITALY WWW.KHATOROD.COM	SCALE : 1 : 1 SHEET : 1 OF 1