

4

3

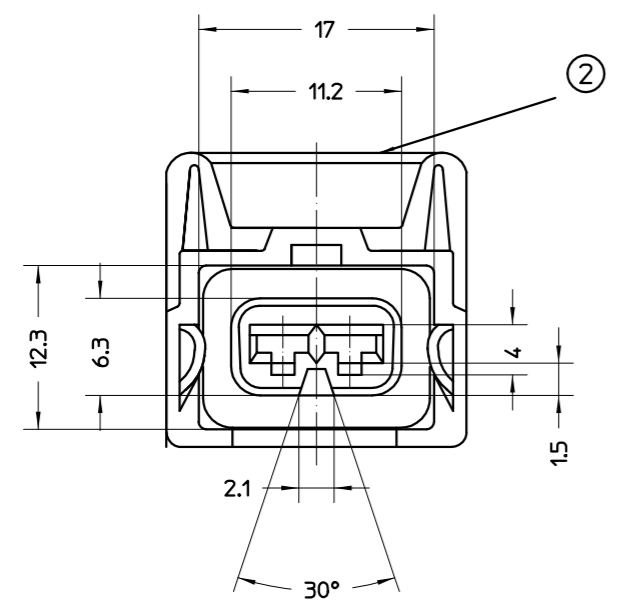
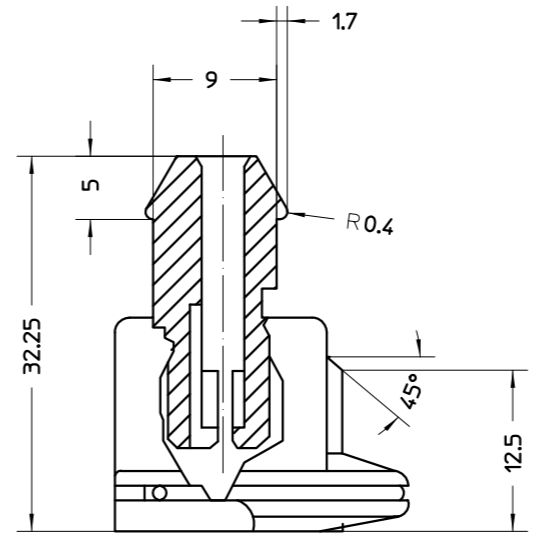
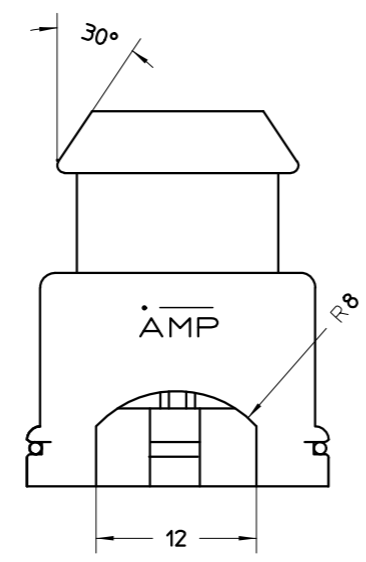
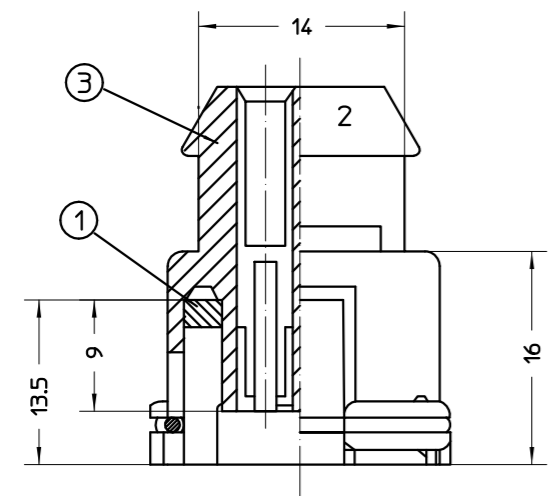
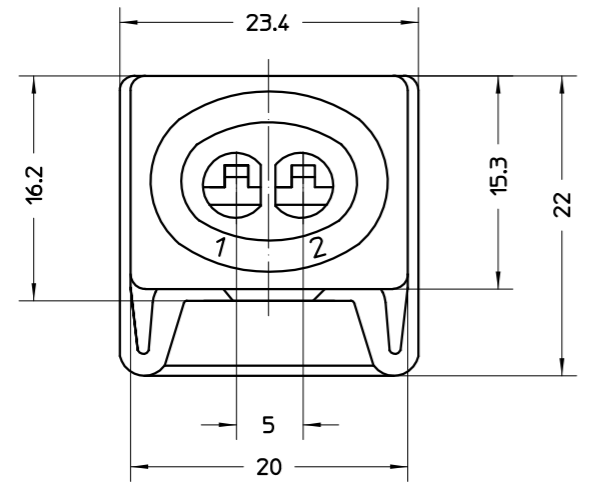
2

1

THIS DRAWING IS UNPUBLISHED. RELEASED FOR PUBLICATION  
COPYRIGHT BY TYCO ELECTRONICS CORPORATION. ALL RIGHTS RESERVED.

LOC U  
DIST -

REVISIONS					
P	LTR	DESCRIPTION	DATE	DWN	APVD
G		ECR-08-003313 RE-DRAWN	04-02-08	HT	WR
H		ECR-09-003982 P/N 1-190667-7 ADDED	19-02-09	WR	WR



1-190667-7	1-190667-5	1-190667-4	1-190667-3	PART No.	COLOUR	MATERIAL	DESCRIPTION	ITEM No.
	1			1-190662-5	BLUE	NYLON 66 30GL	2 POS. HOUSING	3
		1		1-190662-4	BROWN			
1			1	1-190662-3	BLACK			
1	1	1	1	827547-1	NATURAL	WIRE DIN2076	SPRING	2
1				825383-4	GREY	NEOPRENE	GASKET	1
	1	1	1	825383-1	BLACK			

THIS INFORMATION IS CONFIDENTIAL AND PROPRIETARY TO TYCO ELECTRONICS CORPORATION AND ITS WORLDWIDE SUBSIDIARIES AND AFFILIATES. IT MAY NOT BE DISCLOSED TO ANYONE OTHER THAN TYCO ELECTRONICS PERSONNEL WITHOUT WRITTEN PERMISSION FROM TYCO ELECTRONICS CORPORATION, HARRISBURG, PENNSYLVANIA, USA.

THIS DRAWING IS A CONTROLLED DOCUMENT.

ALL DIMENSIONS IN mm: TOLERANCES UNLESS OTHERWISE SPECIFIED: DIMENSION (mm) TOLERANCE(±mm) ±0,3

ANGLES ±2°

MATERIAL: - FINISH: -

HT 23JAN08  
MI 24JAN08  
WR 24JAN08

PRODUCT SPEC: -  
APPLICATION SPEC: -  
WEIGHT: -

**tyco** Tyco Electronics Corporation AUSTRALIA  
**Electronics**

NAME: 2 POS. JUNIOR TIMER CONNECTOR

SIZE: A3 CAGE CODE: DRAWING NO: © 190667 RESTRICTED TO

CUSTOMER DRAWING SCALE: NTS SHEET 1 OF 1 REV: H