

LTC4360 Overvoltage Protection Controller

DESCRIPTION

Demonstration circuit 1505A features the **LTC®4360**, an overvoltage protection controller that safeguards 2.5V to 5.5V systems from input supply overvoltage. The LTC4360 is designed for portable devices with multiple power supply options including wall adapters, car battery adapters and USB ports.

The LTC4360 controls an external N-channel MOSFET in series with the input power supply. During overvoltage transients, the LTC4360 turns off the MOSFET within 1 μ s, isolating downstream components from the input supply. Inductive cable transients are absorbed by the MOSFET and load capacitance. In most applications, the LTC4360 provides protection from transients up to 80V without requiring transient voltage suppressors or other external components.

The LTC4360 has a delayed start-up and adjustable dV/dt ramp-up for inrush current limiting. A $\overline{\text{PWRGD}}$ pin

provides power good monitoring for V_{IN} . The LTC4360-1 features a soft shutdown controlled by the $\overline{\text{ON}}$ pin. The LTC4360-2 has a GATEP pin that drives an optional external P-channel MOSFET for negative voltage protection. Following an overvoltage condition, the LTC4360 automatically restarts with a start-up delay.

DC1505A demonstrates three protection schemes selected with a jumper: (A) overvoltage protection, (B) overvoltage and negative voltage protection, and (C) overvoltage, negative voltage, and reverse current protection. Each option has an output LED and can be applied to a USB protected output. Protection (A) features the LTC4360-1 with ON control. Protection (B) and (C) feature the LTC4360-2 and a P-channel MOSFET driven by GATEP.

Design files for this circuit board are available at <http://www.linear.com/demo/DC1505A>

LT, LT, LTC, LTM, Linear Technology and the Linear logo are registered trademarks of Linear Technology Corporation. All other trademarks are the property of their respective owners.

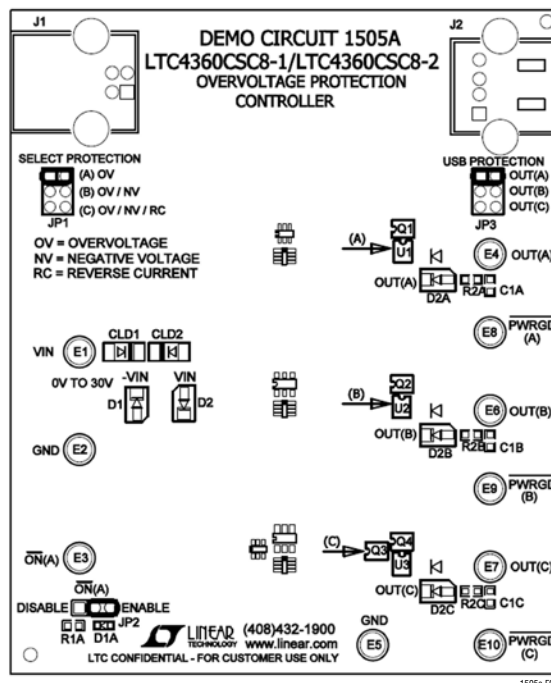


Figure 1. Demonstration Circuit 1505A

PERFORMANCE SUMMARY

Table 1. Typical DC1505A Performance Summary ($T_A = 25^\circ\text{C}$)

PARAMETER	CONDITION	VALUE
Input Voltage	Protection (A) OV Protection (B) OV/NV Protection (C) OV/NV/RC	0V to 30V -30V to 30V -30V to 30V
Output Voltage	Input Range for Gate Turn-On	2.1V to 5.8V
Device Used and Difference	Protection (A) OV Protection (B) OV/NV Protection (C) OV/NV/RC	LTC4360-1, ON Control LTC4360-2, GATEP LTC4360-2, GATEP

QUICK START PROCEDURE

Demonstration circuit 1505A is easy to set up to evaluate the performance of the LTC4360. Refer to Figure 2 and Figure 3 for proper measurement equipment setup and follow the procedure below.

1. Connect a power supply across VIN and GND.
2. Select protection type at JP1 and connect a voltmeter across the corresponding output and GND:
 - a. For overvoltage protection select “(A) OV” and connect to OUT(A) (Figure 2a).
 - b. For overvoltage and negative voltage protection select “(B) OV/NV” and connect to OUT(B) (Figure 2b).
 - c. For overvoltage, negative voltage, and reverse current protection select “(C) OV/NV/RC”, connect to OUT(C) (Figure 2c).
3. Select ENABLE at JP2 to enable protection (A).
4. For USB protection, connect a USB cable from J2 to the USB device (Figure 3). Select the protection type at JP1 and match JP3 to JP1. Connect a second USB cable from a computer to J1.

QUICK START PROCEDURE

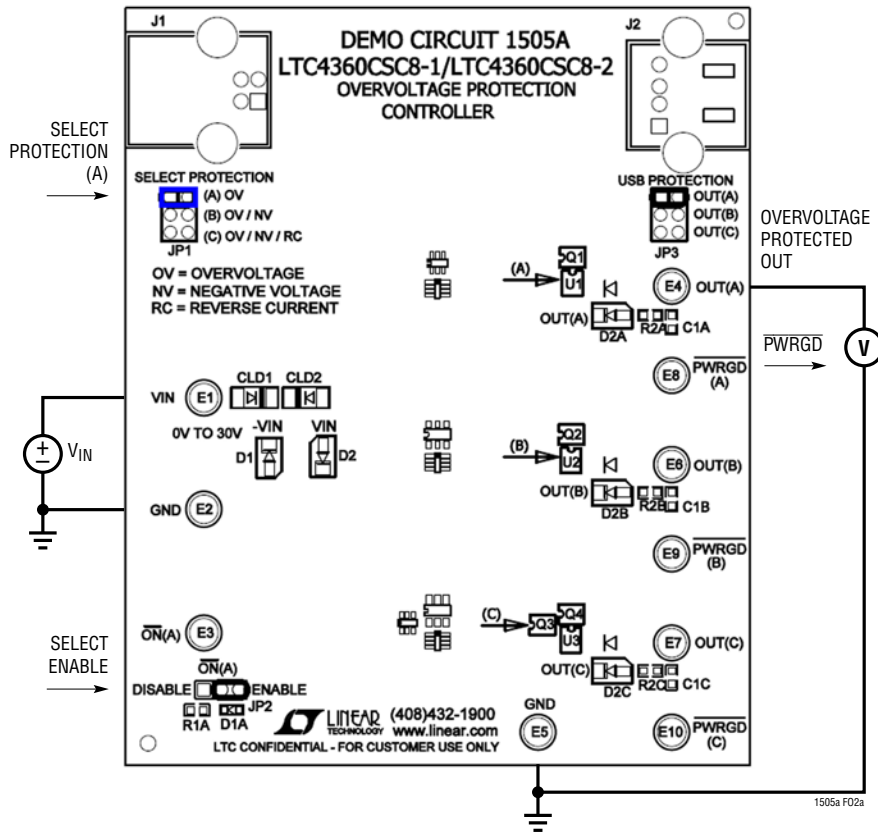


Figure 2a. DC1505A Protection (A) Setup for Overvoltage

QUICK START PROCEDURE

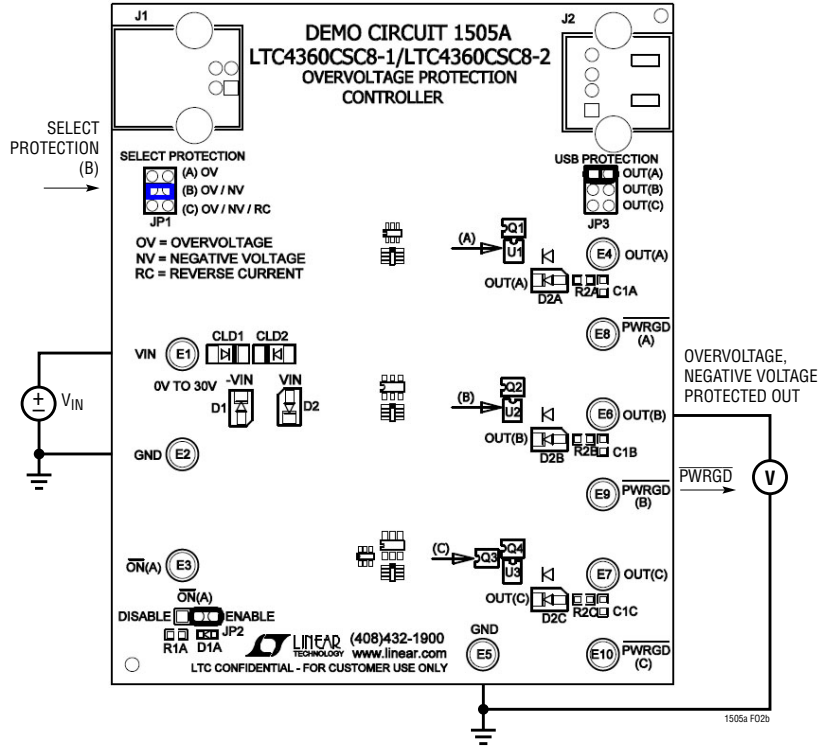


Figure 2b. DC1505A Protection (B) Setup for Overvoltage, and Negative Voltage

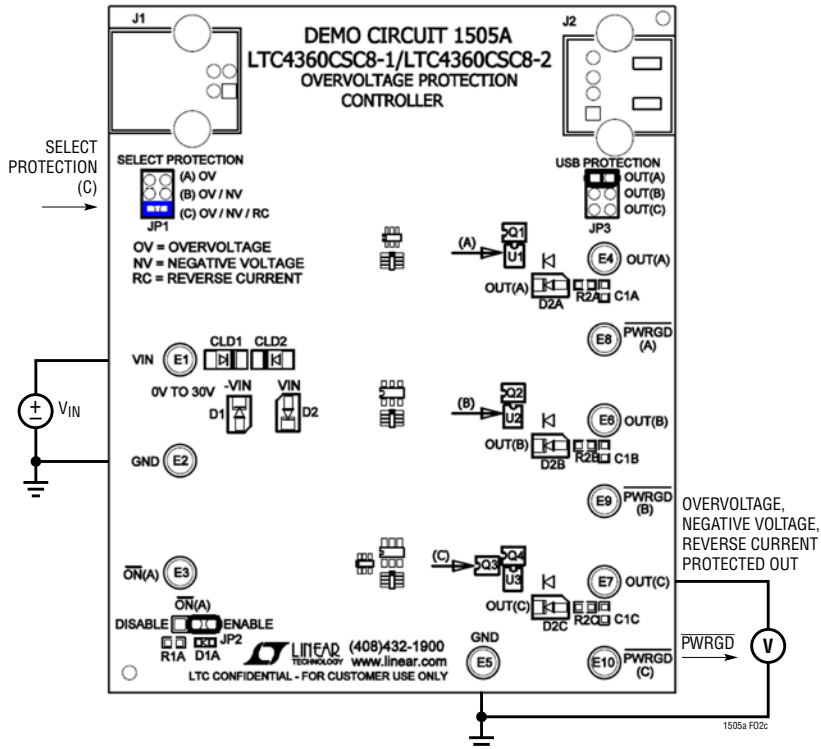


Figure 2c. DC1505A Protection (C) Setup for Overvoltage, Negative Voltage, and Reverse Current

QUICK START PROCEDURE

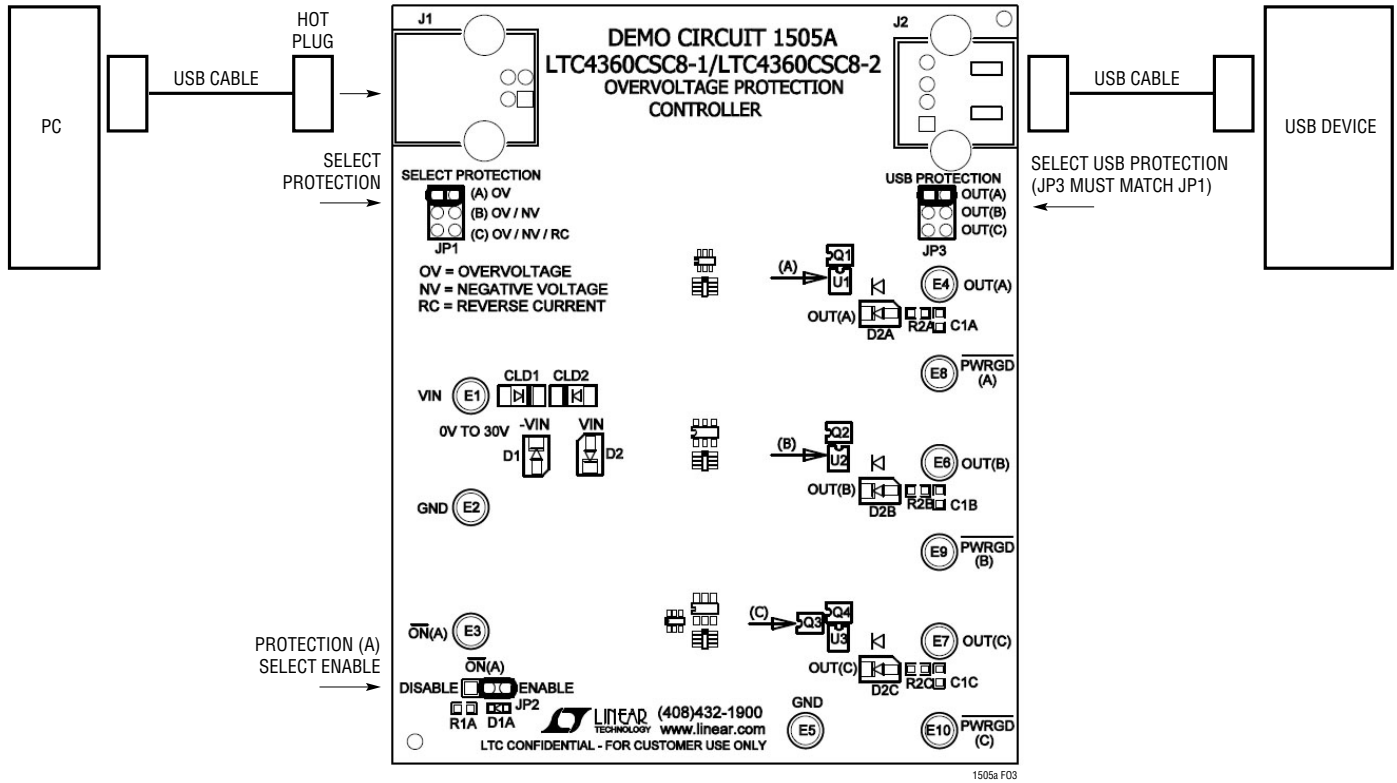


Figure 3. DC1505A USB Protection Setup

QUICK START PROCEDURE

OPERATION

The DC1505A is used to evaluate the LTC4360 in three protection configurations selected at JP1. The device in need of protection is connected to one of the three OUT test points or to the USB output connector J2. An input supply is connected at VIN or a USB source is connected at J1.

\overline{ON} Control

The \overline{ON} pin for protection (A) with the LTC4360-1 is controlled at JP2. Select ENABLE to enable the selected protection, or DISABLE to enter a low current sleep mode.

Protection (A) OV

The first selection at JP1 is protection (A) OV which protects against overvoltage. The LTC4360 turns on a single N-channel MOSFET when the input voltage is below the overvoltage threshold. An amber input LED indicates if the input supply is on while a green OUT(A) LED indicates the gate is on and the input is passed over to the output.

Protection (B) OV/NV

The second selection at JP1 is protection (B) OV/NV which protects against overvoltage and negative voltage. The LTC4360 turns on an N-channel MOSFET when the input voltage is below the overvoltage threshold. A P-channel MOSFET is driven by the GATEP pin of the LTC4360-2 to

protect the output against an inadvertent negative voltage connection at the input. The amber VIN LED indicates if the input supply is on while a green OUT(B) LED indicates the gate is on and the input is passed over to the output. A red $-V_{IN}$ LED indicates if a negative input voltage is present.

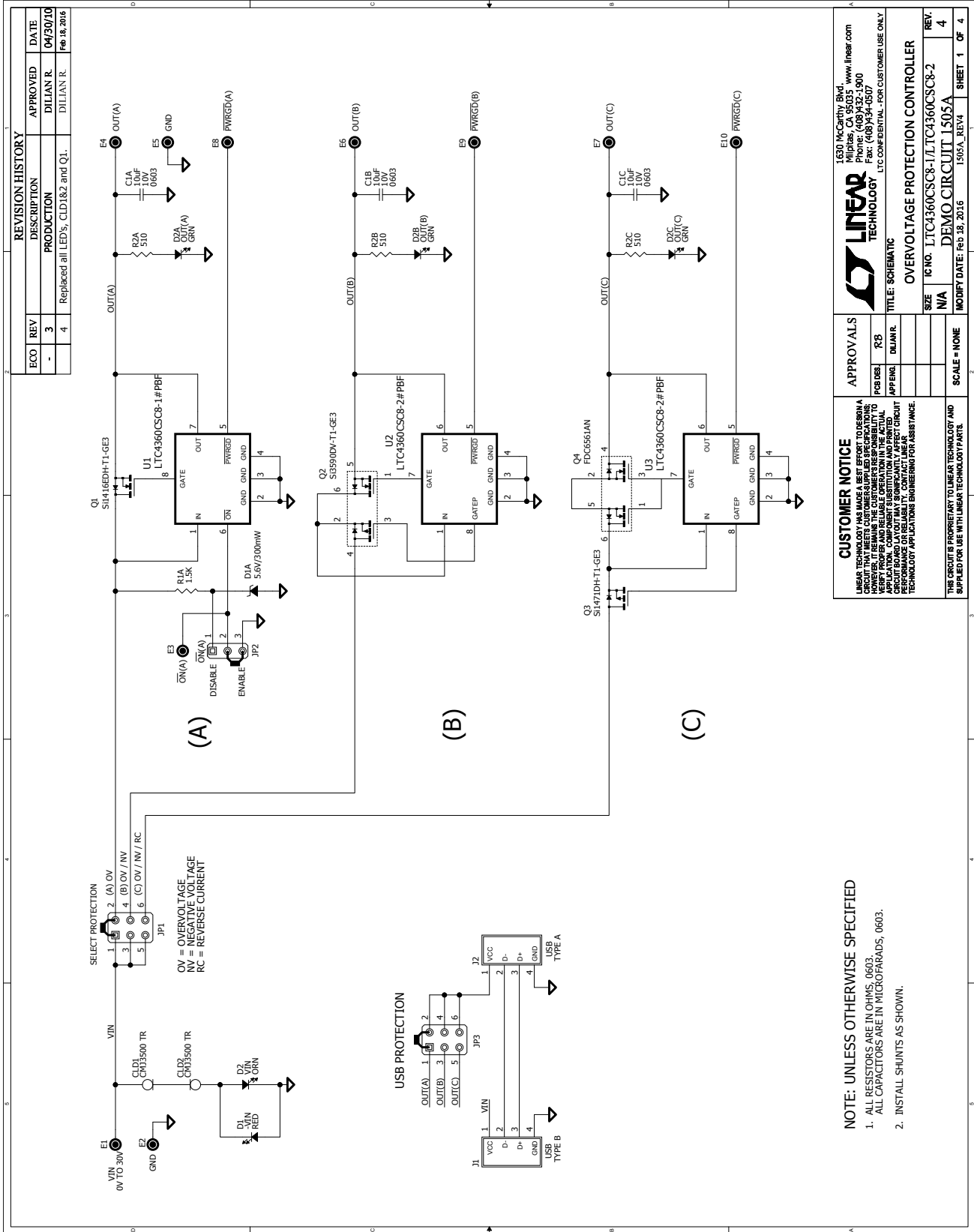
Protection (C) OV/NV/RC

The third selection at JP1 is protection (C) OV/NV/RC which protects against overvoltage, negative voltage and reverse current. The LTC4360 turns on back-to-back N-channel MOSFETs when the input voltage is below the overvoltage threshold. The back-to-back N-channel MOSFETs blocks reverse current feeding in to the input. A P-channel MOSFET is driven by the GATEP pin of the LTC4360-2 to protect the output against an inadvertent negative voltage connection at the input. The amber VIN LED indicates if the input supply is on while a green OUT(C) LED indicates the gate is on and the input is passed over to the output. The red $-V_{IN}$ LED indicates if a negative input voltage is present.

USB Protection

DC1505A also provides connection for USB protection. First connect a USB device with a USB cable at J2. Select the protection type at JP1 and match this with JP3. Select ENABLE at JP2. The USB source can then be connected at J1.

SCHEMATIC DIAGRAM



DEMO MANUAL DC1505A

DEMONSTRATION BOARD IMPORTANT NOTICE

Linear Technology Corporation (LTC) provides the enclosed product(s) under the following **AS IS** conditions:

This demonstration board (DEMO BOARD) kit being sold or provided by Linear Technology is intended for use for **ENGINEERING DEVELOPMENT OR EVALUATION PURPOSES ONLY** and is not provided by LTC for commercial use. As such, the DEMO BOARD herein may not be complete in terms of required design-, marketing-, and/or manufacturing-related protective considerations, including but not limited to product safety measures typically found in finished commercial goods. As a prototype, this product does not fall within the scope of the European Union directive on electromagnetic compatibility and therefore may or may not meet the technical requirements of the directive, or other regulations.

If this evaluation kit does not meet the specifications recited in the DEMO BOARD manual the kit may be returned within 30 days from the date of delivery for a full refund. **THE FOREGOING WARRANTY IS THE EXCLUSIVE WARRANTY MADE BY THE SELLER TO BUYER AND IS IN LIEU OF ALL OTHER WARRANTIES, EXPRESSED, IMPLIED, OR STATUTORY, INCLUDING ANY WARRANTY OF MERCHANTABILITY OR FITNESS FOR ANY PARTICULAR PURPOSE. EXCEPT TO THE EXTENT OF THIS INDEMNITY, NEITHER PARTY SHALL BE LIABLE TO THE OTHER FOR ANY INDIRECT, SPECIAL, INCIDENTAL, OR CONSEQUENTIAL DAMAGES.**

The user assumes all responsibility and liability for proper and safe handling of the goods. Further, the user releases LTC from all claims arising from the handling or use of the goods. Due to the open construction of the product, it is the user's responsibility to take any and all appropriate precautions with regard to electrostatic discharge. Also be aware that the products herein may not be regulatory compliant or agency certified (FCC, UL, CE, etc.).

No License is granted under any patent right or other intellectual property whatsoever. **LTC assumes no liability for applications assistance, customer product design, software performance, or infringement of patents or any other intellectual property rights of any kind.**

LTC currently services a variety of customers for products around the world, and therefore this transaction **is not exclusive**.

Please read the DEMO BOARD manual prior to handling the product. Persons handling this product must have electronics training and observe good laboratory practice standards. **Common sense is encouraged.**

This notice contains important safety information about temperatures and voltages. For further safety concerns, please contact a LTC application engineer.

Mailing Address:

Linear Technology
1630 McCarthy Blvd.
Milpitas, CA 95035

Copyright © 2004, Linear Technology Corporation