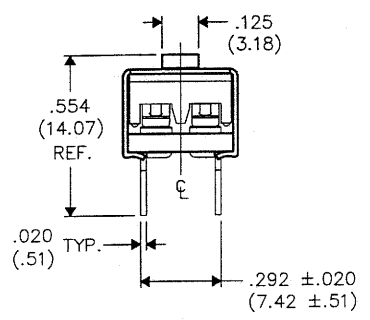
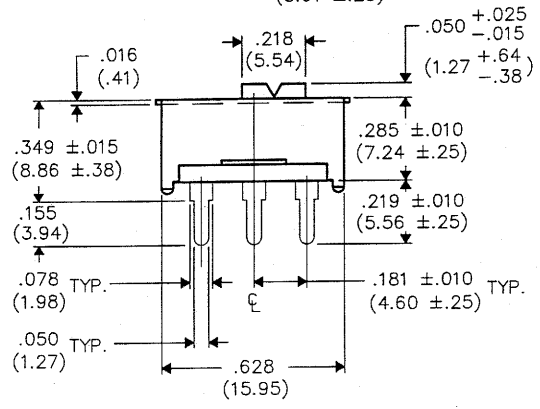
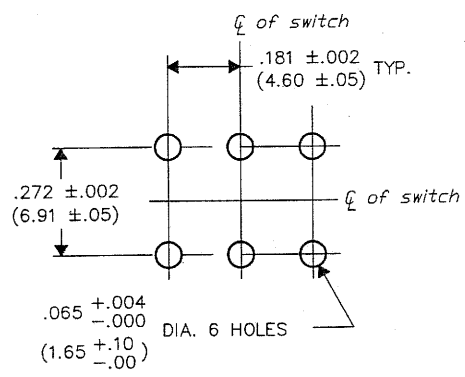
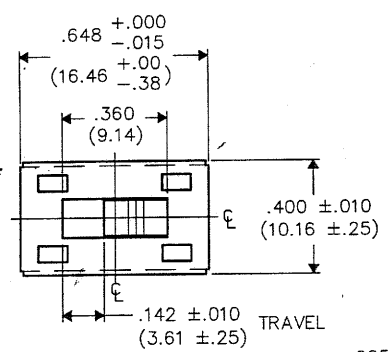


DIMENSIONS IN INCHES (MILLIMETERS)
DO NOT SCALE DRAWING

Dwg. No.
GF-126-0235

P.C. LAYOUT



E									
D									
C									
B									
A									

1	2	3	4	5	6	7	8	9	10
---	---	---	---	---	---	---	---	---	----

FORM-B4
REVISIONS
0
RELEASED.
DCW 9-18-2001

CW INDUSTRIES
Southampton, Pa. 18966

TOLERANCES UNLESS OTHERWISE SPECIFIED
2 Place Decimal ±.010 METRIC
3 Place Decimal ±.005 1 Place Dec. ±.25mm
Angles ±1' 2 Place Dec. ±.13mm

Title: **SWIDGET ASSY.
W/"V" SLOT
BUTTON
D.P.-D.T.**

Made for: CW IND.

Division: **SWITCH**

Drawn by: DGW 9-18-2001

Dwg. No.

Checked by: *G. Gold 10-10-01*

GF-126-0235

Approval: *[Signature]* 10-10-01

PDF File Made