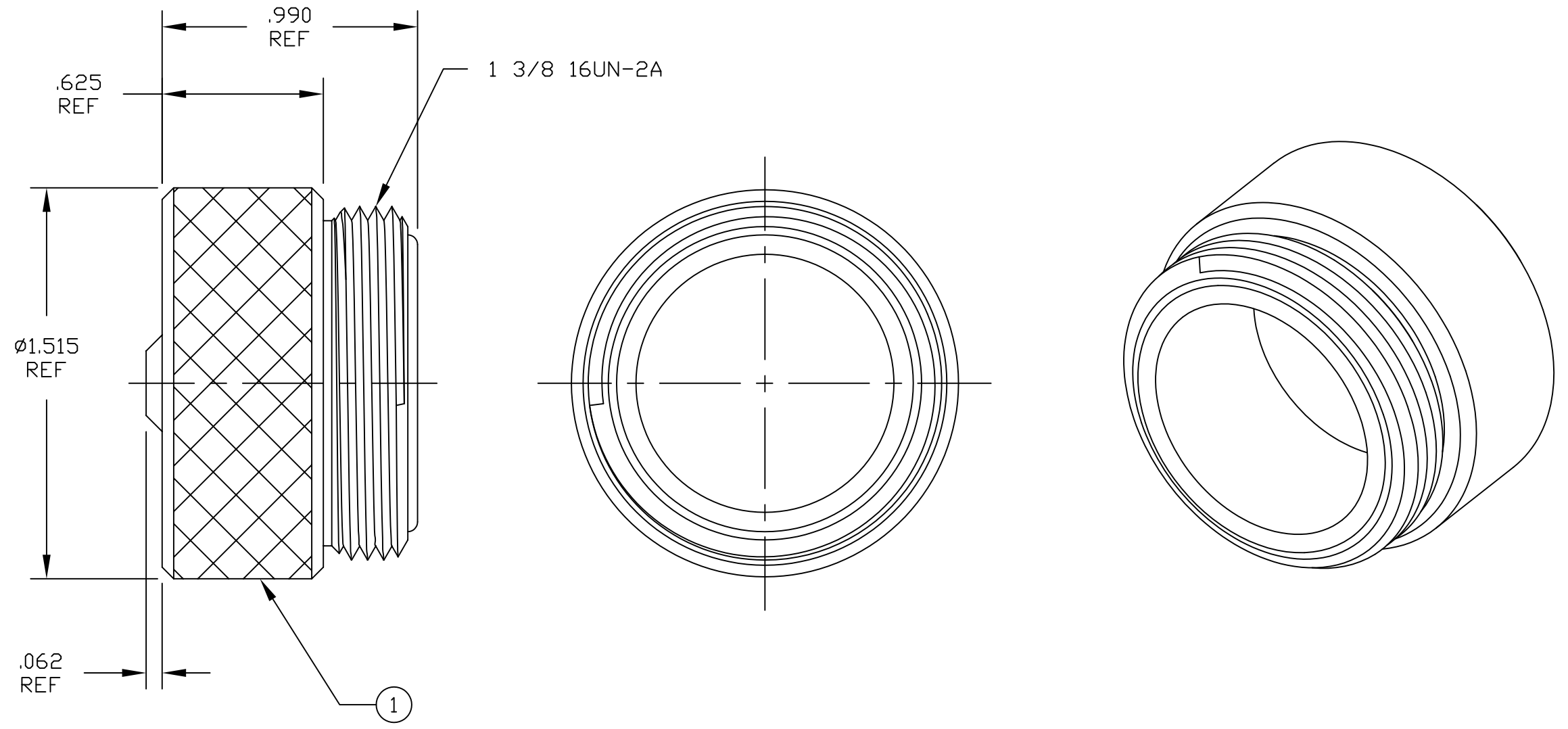


PART NUMBER	ENGINEERING NUMBER
1300700018	55-0198



- NOTE:
- SPECIFICATIONS:
QC MALE CLOSURE CAP
TEMPERATURE RANGE: -20°C TO 90°C
 - PACKAGING:
PART IS PACKAGED IN A POLY BAG WITH A BAR CODE LABEL ATTACHED TO THE OUTSIDE OF THE BAG.
 - ASSEMBLY IS RoHS COMPLIANT

ITEM	QTY	DESCRIPTION	MATERIAL	FINISH
1	1	QC MALE CLOSURE CAP	ALUMINUM	CLEAR ANODIZE

INITIAL RELEASE EC NO: WNA2010-0439 DRWN: KJOZWIK 2010/01/19 CH'KD: BWOODMAN APPR: JFMURPHY 2010/01/20	QUALITY SYMBOLS $\nabla = 0$ $\triangle = 0$	GENERAL TOLERANCES (UNLESS SPECIFIED)		DIMENSION STYLE IN/MM		SCALE 2:1	DESIGN UNITS INCH	THIRD ANGLE PROJECTION	
		4 PLACES	mm	INCH	DRAWN BY	DATE	TITLE		
		3 PLACES	±---	±---	KJOZWIK	2010/01/19	BRAD POWER QC MALE CLOSURE CAP		
		2 PLACES	±0.13	±0.10	BWOODMAN	2010/01/19	MATERIAL NO. SEE TABLE		
1 PLACE	±0.25	±0.020	JFMURPHY	2010/01/20	MATERIAL NO. SEE TABLE				
ANGULAR ±1/2°		DRAFT WHERE APPLICABLE MUST REMAIN WITHIN DIMENSIONS		MATERIAL NO. SEE TABLE		DOCUMENT NO. SD-130070-004		SHEET NO. 1 OF 1	
REV A		SIZE B		THIS DRAWING CONTAINS INFORMATION THAT IS PROPRIETARY TO MOLEX INCORPORATED AND SHOULD NOT BE USED WITHOUT WRITTEN PERMISSION					